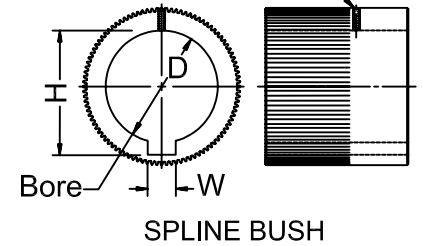
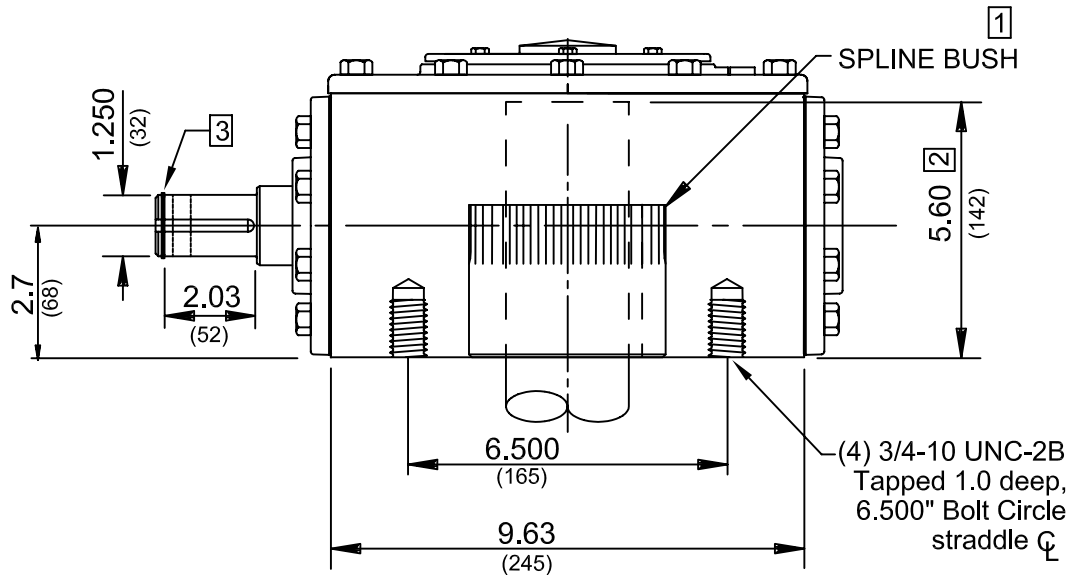


3/8-16
set screw



- 1** Spline Bush: Removable from the bottom of actuator. Refer to EIM Spec Sheet for Bushing furnished for specific application.
- 2** Maximum Valve Stem Length
- 3** Retainer Ring 5100-125, EIM P/N 4060001125.



FOR REFERENCE ONLY - DRAWING NOT TO SCALE

Special Note: Industry standards for manual actuators generally require Clockwise (CW) rotation of handwheel to close valve with Clockwise (CW) rotation of valve shaft. EIM Model WO10-B has CW rotation of actuator input shaft for CW rotation of valve input shaft.

INCHES .XXX ± .005"
(MILLIMETERS) .XX ± .020"
.X APPROX.

EIM EIM COMPANY, INC.
13840 PIKE ROAD
CONTROLS MISSOURI CITY, TX 77489

WO10-B 6.50"

OUTLINE NO. **72403-B** ^{REV} **A**

A	1/15/98	10859	CML
REV	DATE	ERO	BY