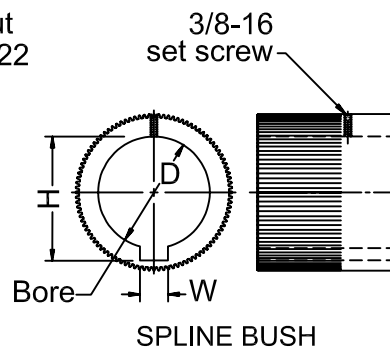
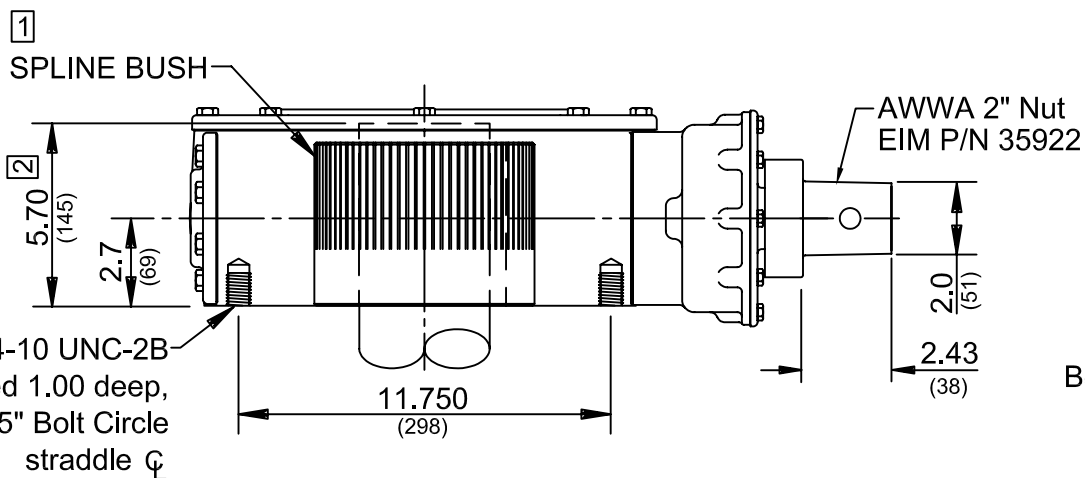
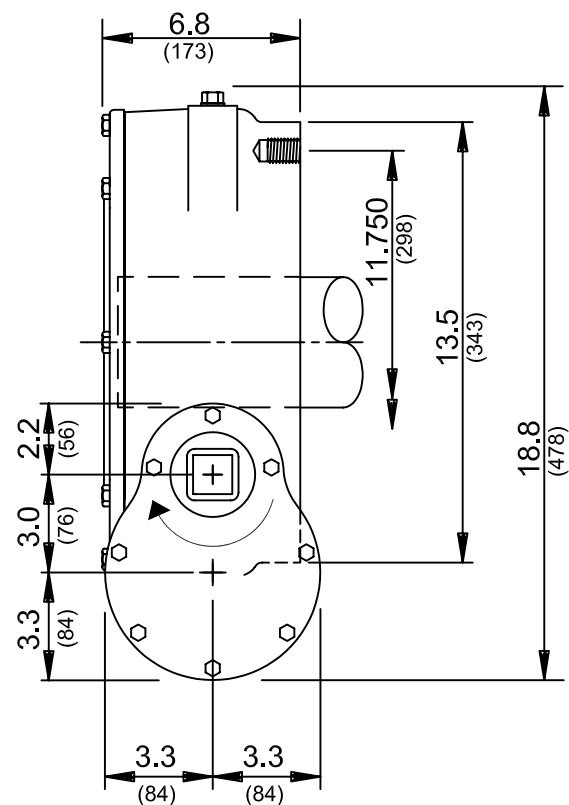
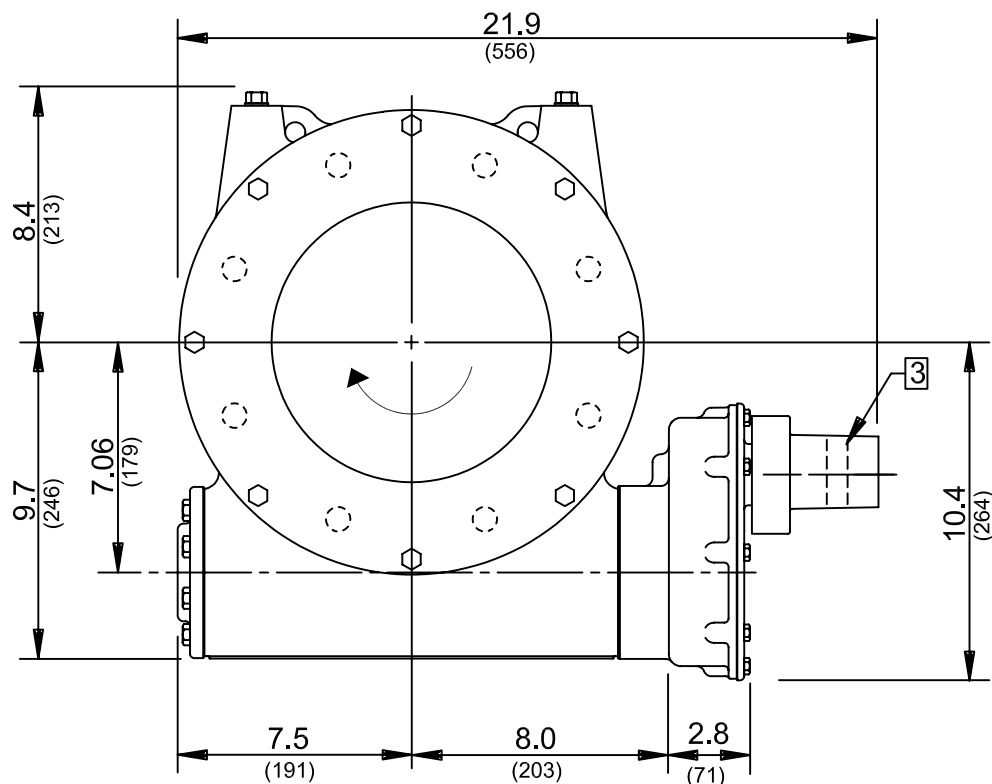


FOR REFERENCE ONLY - DRAWING NOT TO SCALE



- 1 Spline Bush: Removable from the bottom of actuator. Refer to EIM Job Spec sheet for Bushing furnished for specific application.
- 2 Maximum Valve Stem Length
- 3 Stainless Steel Pin 3/8 x 2.00 EIM P/N 4043002073
- 4) Approximate Weight 203 lbs.

Special Note: Industry standards for manual actuators generally require Clockwise (CW) rotation of handwheel to close valve with Clockwise (CW) rotation of valve shaft. This EIM Model has CW rotation of actuator input shaft for CW rotation of valve input shaft.

INCHES .XXX ± .005"
 (MILLIMETERS) .XX ± .020"
 .X APPROX.

EIM EIM COMPANY, INC.
 13840 PIKE ROAD
 CONTROLS MISSOURI CITY, TX 77489

WB5A-A
 OUTLINE NO. 72431-A REV A

A	7/7/00	-	CML
REV	DATE	ERO	BY