

MOD R30: Installation Procedure

Remote Mounted Control ER 2-Way and Electrical Failsafe

05-03-11

Remote Mounted Control ER 2-Way and Electric Failsafe

Installation Procedure on a Rotary Vane Actuator with a
System using Power Gas

MOD R30: Installation Procedure

Remote Mounted Control ER 2-Way and Electrical Failsafe

05-03-11

The purpose of this procedure is to guide the installation of a Remote Mounted Actuator Control with Electric Remote 2-Way and Electric Failsafe features. Use this procedure in conjunction with the following Maintenance and Service Manuals.

Shafer Poppet Block Control Maintenance and Service Manual	Bul. PBC-01102001
Shafer Hand Pump Maintenance and Service Manual	Bul. MHP-01102001
Shafer Rotary Vane Maintenance and Service Manual	Bul. RVSM-5/02
Schematic Diagram (Attached)	Fail Close – 11117-S

Plumbing the Remote Mounted Control

After the Actuator has been mounted on the valve (see Shafer Rotary Vane Maintenance and Service Manual Bulletin RVSM-5/02) and the Control has been set on the foundation provided by the customer, some tube lines will need to be reconnected and other tube lines will need to be manufactured.

1. Before shipping, the tube lines running to the top of the Gas / Hydraulic Tanks were removed and the fittings were sealed with brass plugs and covers. This was to prevent oil loss and prevent contamination from entering the system. A yellow tag is provided and attached at the top of the Gas / Hydraulic Tanks (see Figure 1) to identify these tube runs.

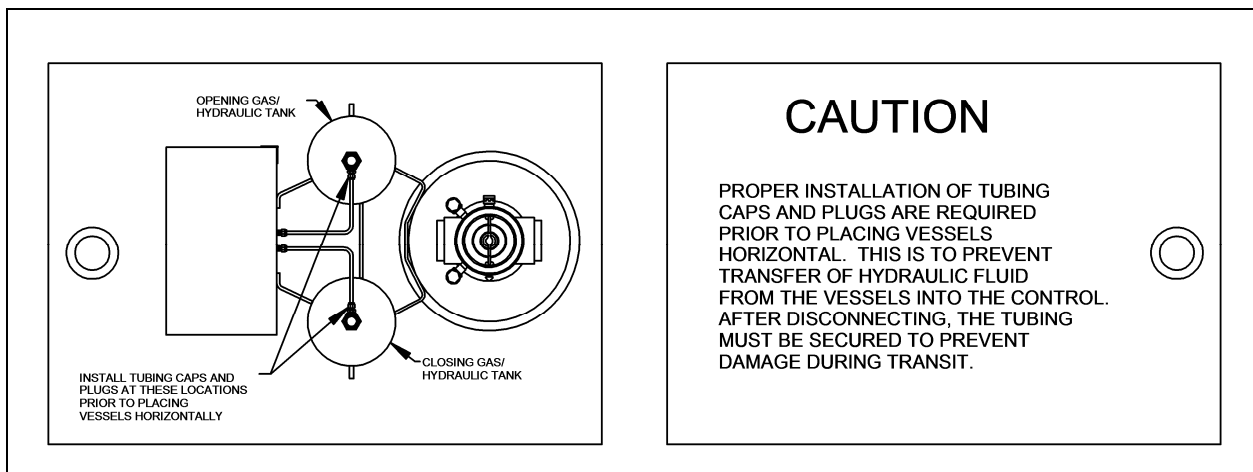


Figure 1: CAUTION Tag About Removing and Sealing Tube Lines

MOD R30: Installation Procedure

Remote Mounted Control ER 2-Way and Electrical Failsafe

05-03-11

2. As instructed by the second yellow tag provided on the Gas / Hydraulic Tanks (see Figure 2), remove the brass closures, attach the tube lines and tighten. Also, other temporary closures are provided for shipping and storage; remove these as you run the tube lines.

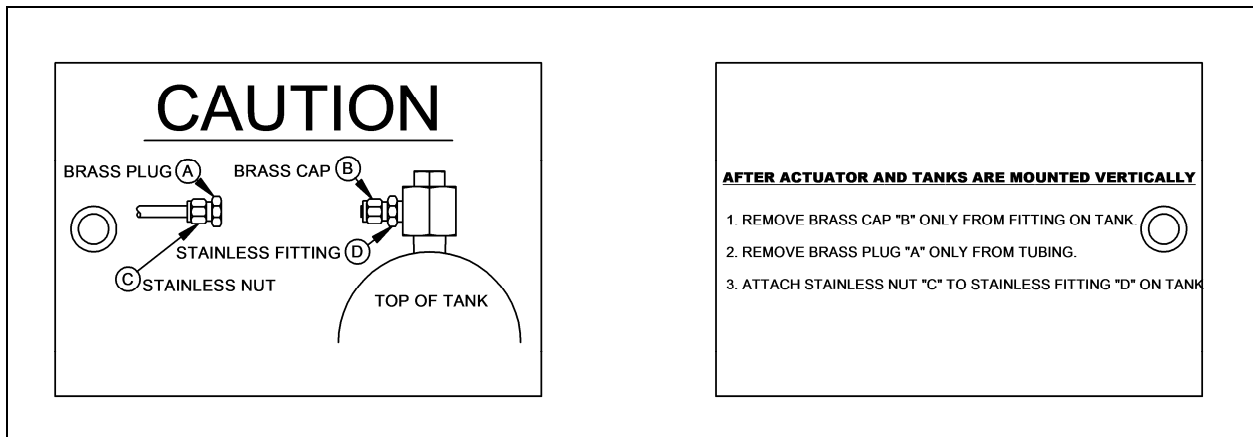


Figure 2: CAUTION Tag Instruction For Reattachment of Tube Lines

Caution: Use care to keep from contaminating the system with dirt inside of the tubing or allowing dirt to enter through the tube fittings. At a minimum, blow each tubing section clean with forced air.

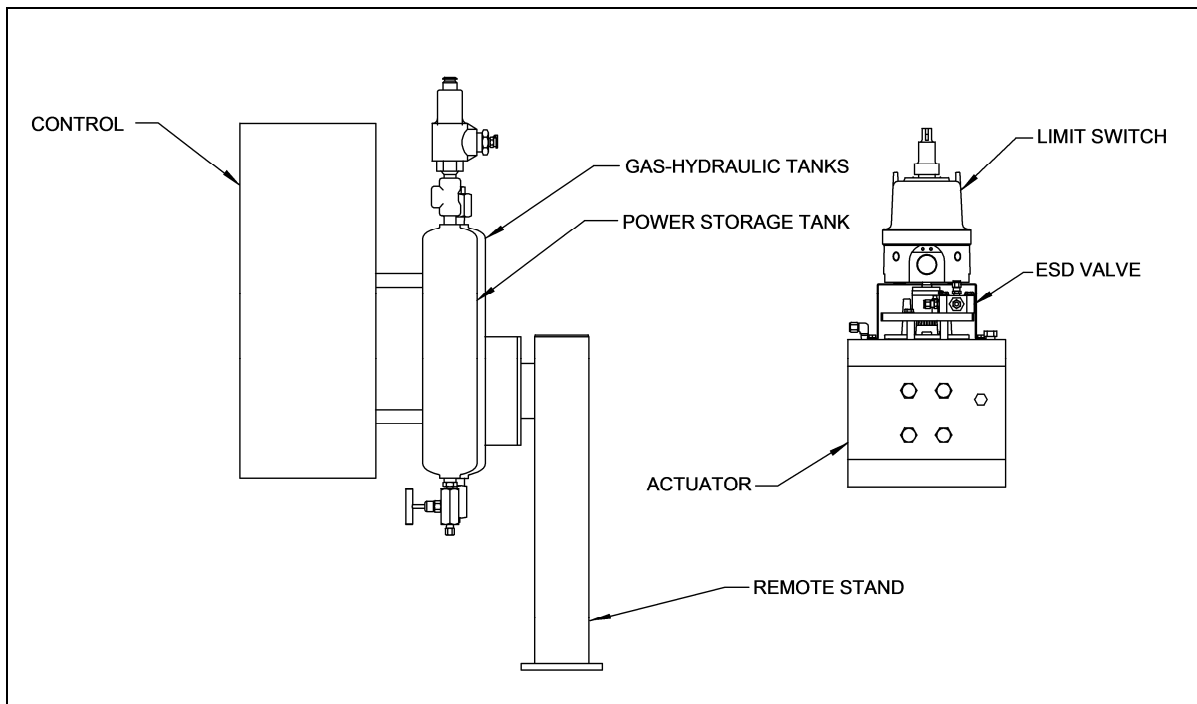


Figure 3: Remote Mounting Of Control To Actuator

MOD R30: Installation Procedure

Remote Mounted Control ER 2-Way and Electrical Failsafe

05-03-11

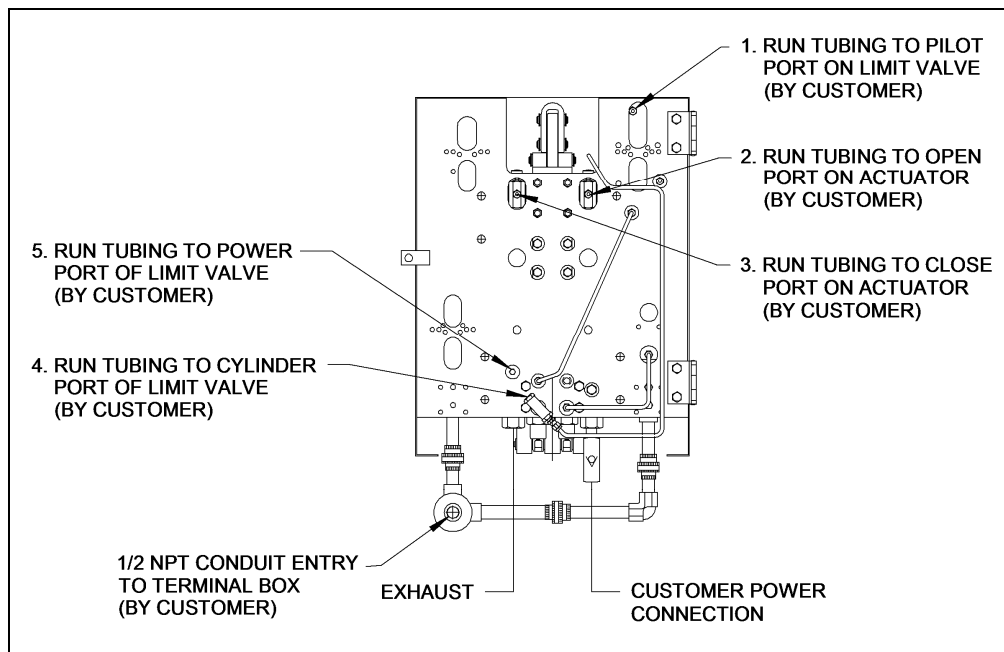


Figure 4: View of the Back of the Control

- Using the appropriate sized tubing, run the five lines with 1. in Figure 4 going to 1. in Figure 5, 2. in Figure 4. going to 2. in Figure 5. etc. Tubing sizes are not listed as some may be job specific governed by the distance between the Control and the Actuator.
- There is one electric conduit connection shown in Figure 4 that will run to the Terminal Box (Limit Switch Housing see Figure 3).

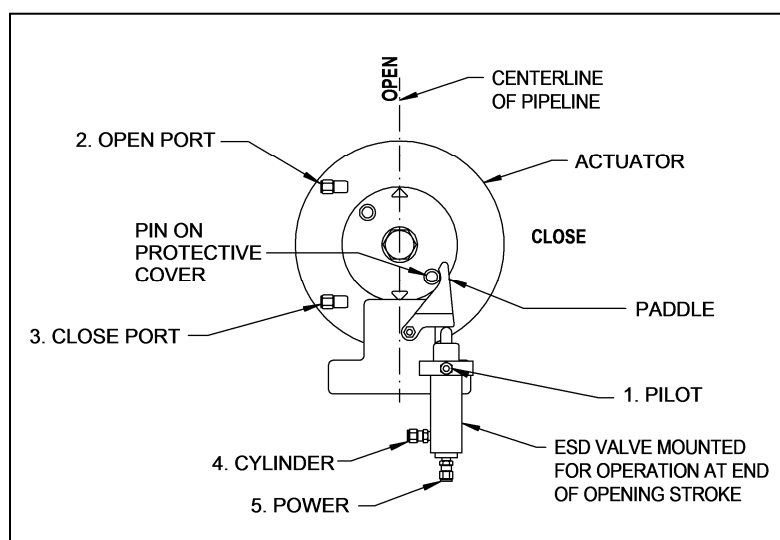


Figure 5: View From Above The Actuator (Limit Switch removed in this view for clarity)

MOD R30: Installation Procedure

Remote Mounted Control ER 2-Way and Electrical Failsafe

05-03-11

Purging the System, Verifying the Hydraulic Fluid Level

1. When tubing runs are complete and all fittings tightened, open Isolation Valves (28).
2. Use the hand pump to purge air from the system following the Purging Procedure on page 7 of the Shafer Rotary Vane Maintenance and Service Manual Bulletin RVSM-5/02.
3. When the pumping cycle is completed, depress the manual relief valve located top center of the selector valve on the pump and pull the pump ram back into the pump body.
4. Fill both of the Gas / Hydraulic Tanks to required operating level (see. the Shafer Rotary Vane Maintenance and Service Manual Bulletin RVSM-5/02.
5. After proper oil levels are established in the Gas / Hydraulic Tanks, the Actuator is ready for normal operation.

If any further information is required, please feel free to contact:

Emerson Process Management

Valve Automation Inc.

2500 Park Avenue West

Mansfield, Ohio 44906

Phone: (419) 529-4311

Fax (419) 529-3688

Please visit our website for up to date product data. www.shafervalve.com

All Rights Reserved

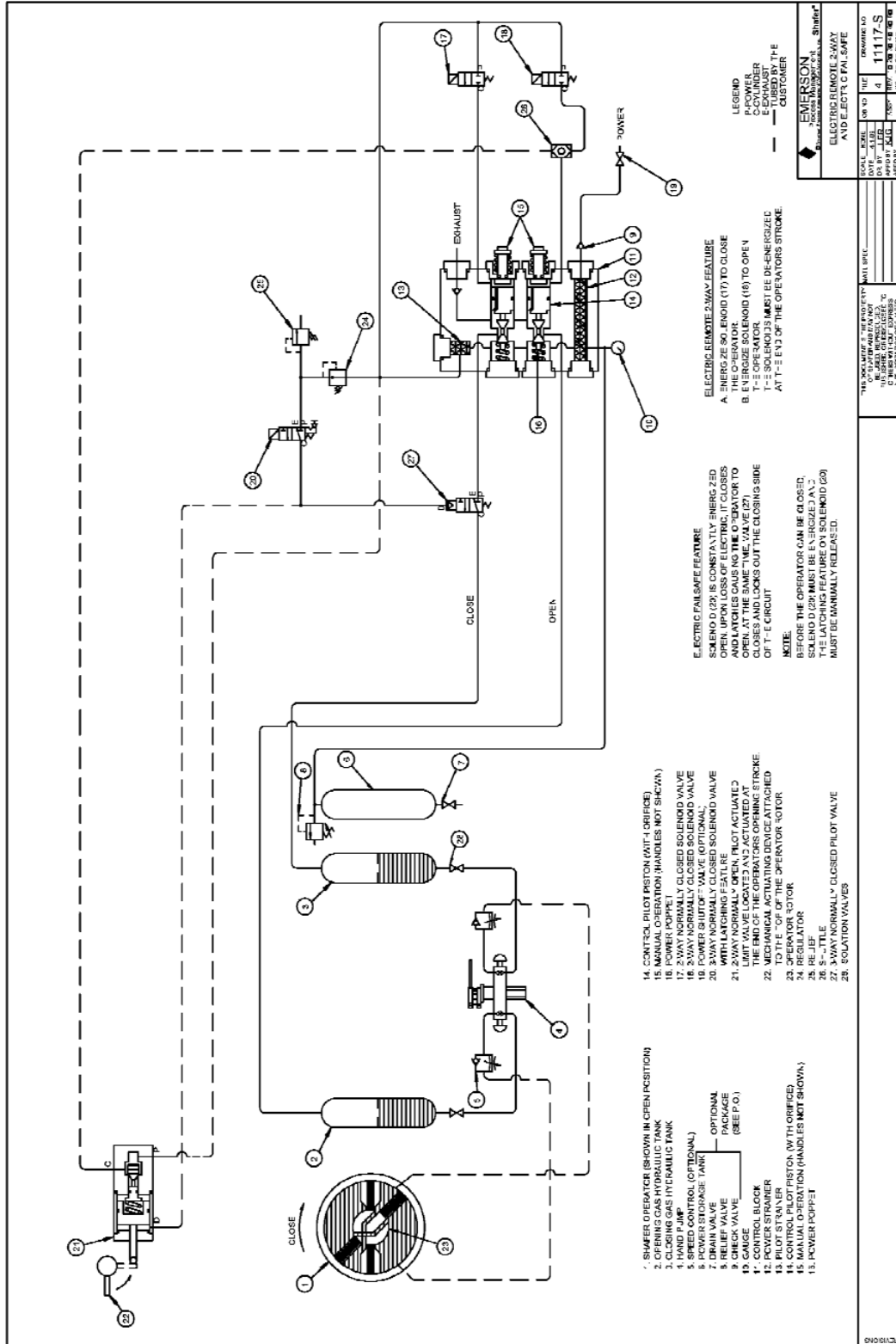
The contents of this publication are presented for informational purpose only, and while every effort has been made to ensure their accuracy, they are not to be construed as warranties or guarantees, express or implied, regarding the products or services described herein or their use or applicability. We reserve the right to modify or improve the designs or specifications of such products at any time with out notice.

MOD 13: Installation Procedure

Remote Mounted Control ER 2-Way and Electrical Failsafe

05-03-11

Attachment 1:



REV 10/04