

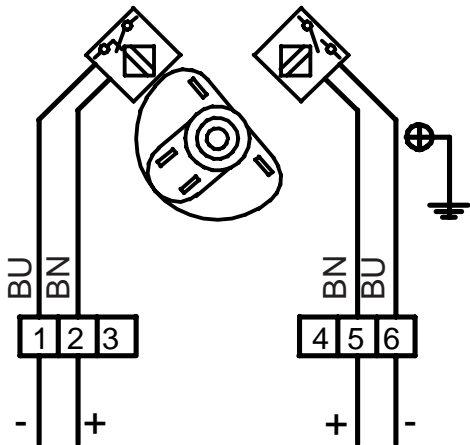


U = 7-9 VDC / DIN 19234
 I_{output} = < 1 mA 
 > 3 mA 



IS2
 Drw.nr.
 363.95.003



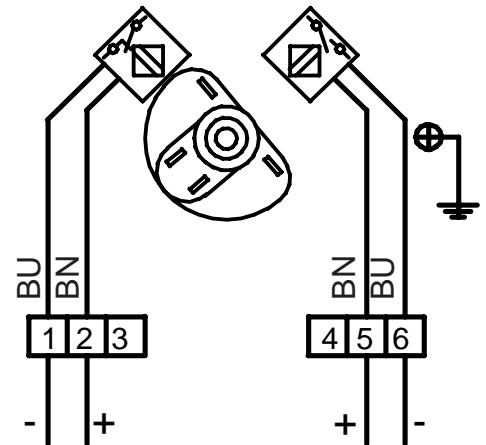
Closed
 Zu
 Fermé
 Cerrado

Open
 Offen
 Ouvrir
 Abrir

BN = Brown = Braun = Brun = Marrón
 BU = Blue = Blau = Bleu = Azul

U = 7-9 VDC / DIN 19234
 I_{output} = < 1 mA 
 > 3 mA 



IS2
 Drw.nr.
 363.95.003



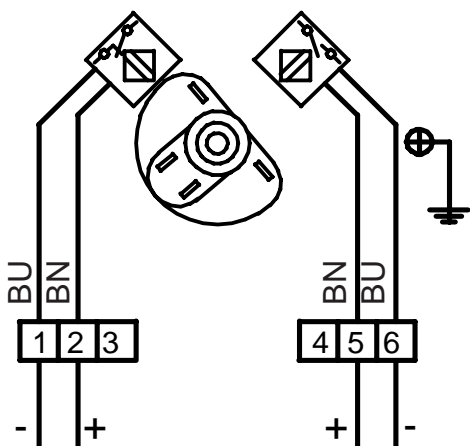
Closed
 Zu
 Fermé
 Cerrado

Open
 Offen
 Ouvrir
 Abrir

BN = Brown = Braun = Brun = Marrón
 BU = Blue = Blau = Bleu = Azul

U = 7-9 VDC / DIN 19234
 I_{output} = < 1 mA 
 > 3 mA 



IS2
 Drw.nr.
 363.95.003



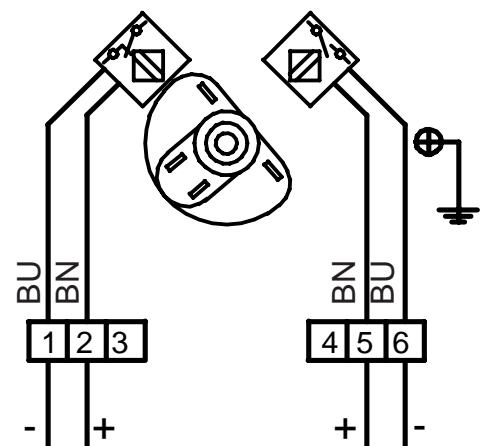
Closed
 Zu
 Fermé
 Cerrado

Open
 Offen
 Ouvrir
 Abrir

BN = Brown = Braun = Brun = Marrón
 BU = Blue = Blau = Bleu = Azul

U = 7-9 VDC / DIN 19234
 I_{output} = < 1 mA 
 > 3 mA 

IS2
 Drw.nr.
 363.95.003



Closed
 Zu
 Fermé
 Cerrado

Open
 Offen
 Ouvrir
 Abrir

BN = Brown = Braun = Brun = Marrón
 BU = Blue = Blau = Bleu = Azul

