

1 1.50-11.5 NPT (2 Plcs) is preferred wire entry. CAUTION Conduit must entry at lowest point to prevent water from entering electrical enclosure due to condensation. If hazardous (classified) or Nema 6 location, conduit seals are required at electrical enclosure entrances.

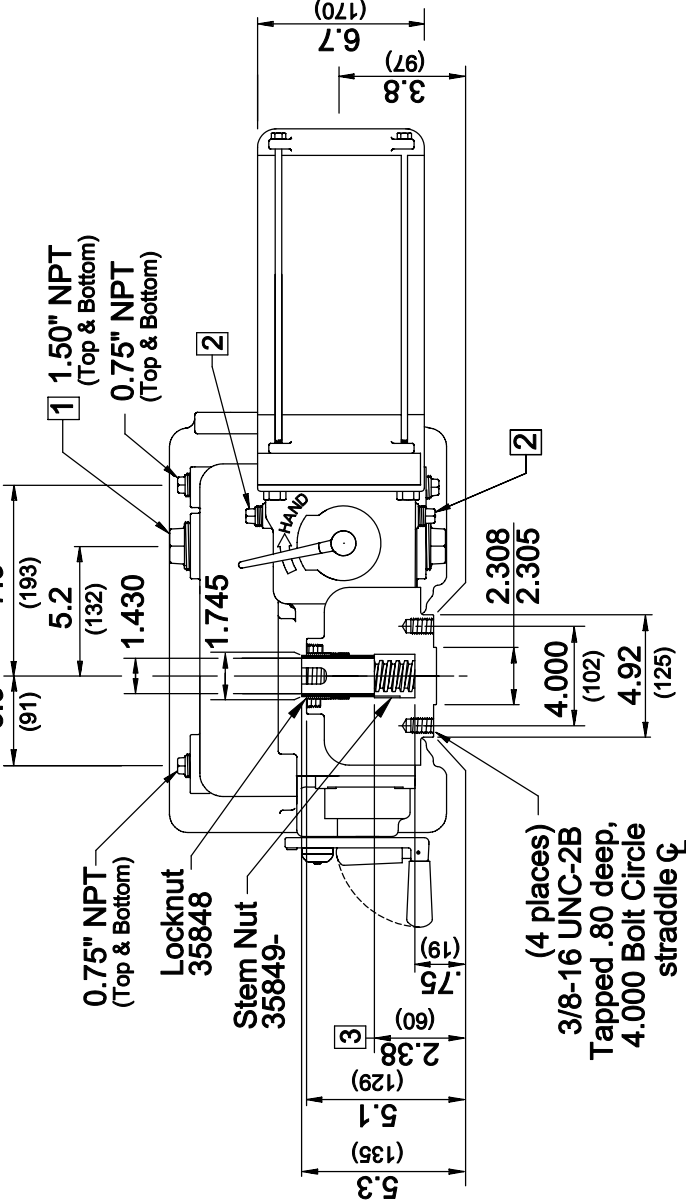
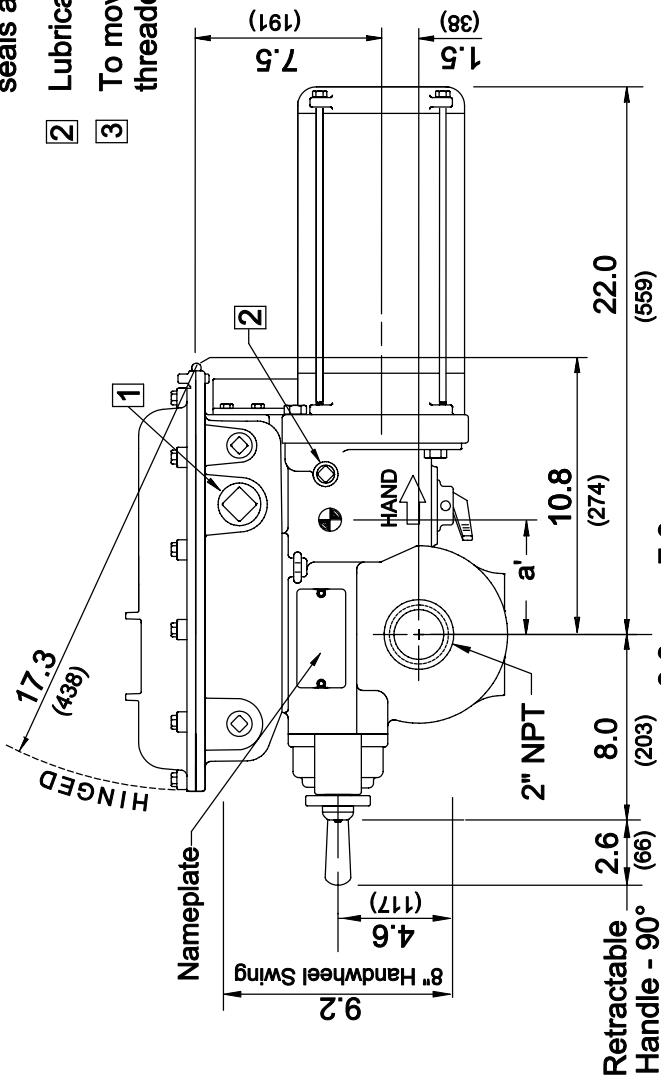
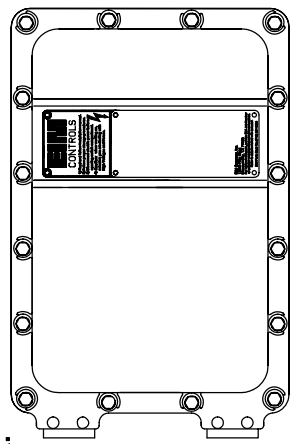
2 Lubrication 0.50-14 NPT Plugs.

3 To move actuator to another valve, bronze stem nut P/N 35849 may be threaded up to 1.38" Acme stem max.

4) For electrical control pilot device elements mounted on actuator control cover, see EIM job spec sheet & wiring diagram furnished for each specific job no.

5) WARNING-The installation and servicing instructions are for use by qualified personnel only. To avoid injury and electric shock, do not perform any service on EIM equipment unless qualified.

6) Installation shall be in accordance with current edition of National Electrical Code.



CENTER OF GRAVITY	
a'	4.6
b'	3.0
c'	4.5

(4 places)  
3/8-16 UNC-2B  
Tapped .80 deep,  
4.000 Bolt Circle  
straddle  $\phi$

EIM COMPANY, INC.  
13840 PIKE ROAD  
CONTROLS MISSOURI CITY, TX 77489

INCHES .XXX ± .005"  
(MILLIMETERS) .XX ± .020"  
X APPROX.

REV	DATE	ERO	BY
C	10/24/05	14227	GML
B	1/20/05	13988	CML
A	6/15/95	9591	/cml

1000 M/T 4.00  
OUTLINE NO. 1-0001/10G C