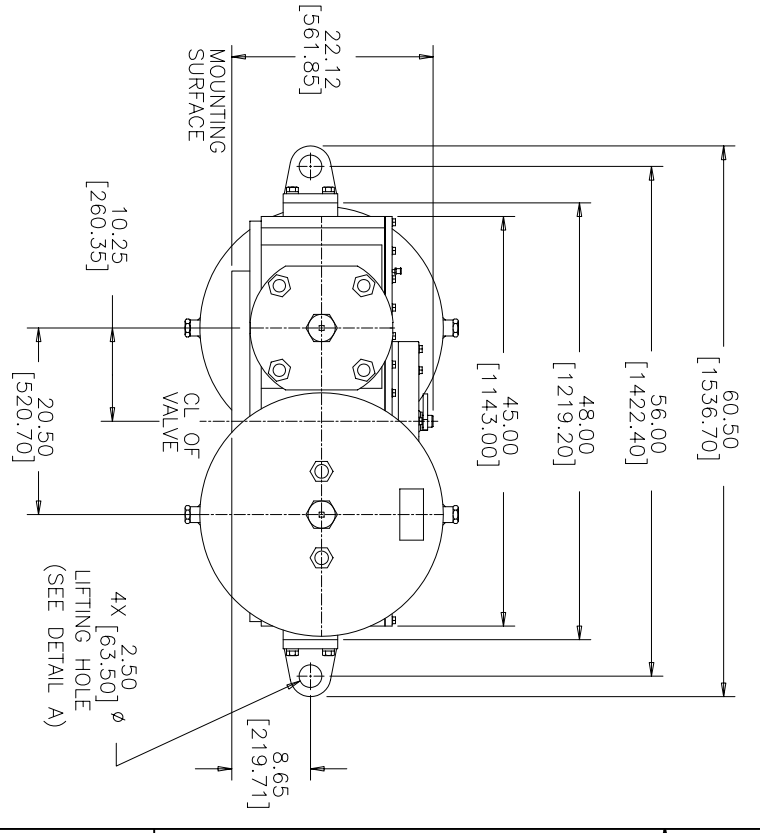
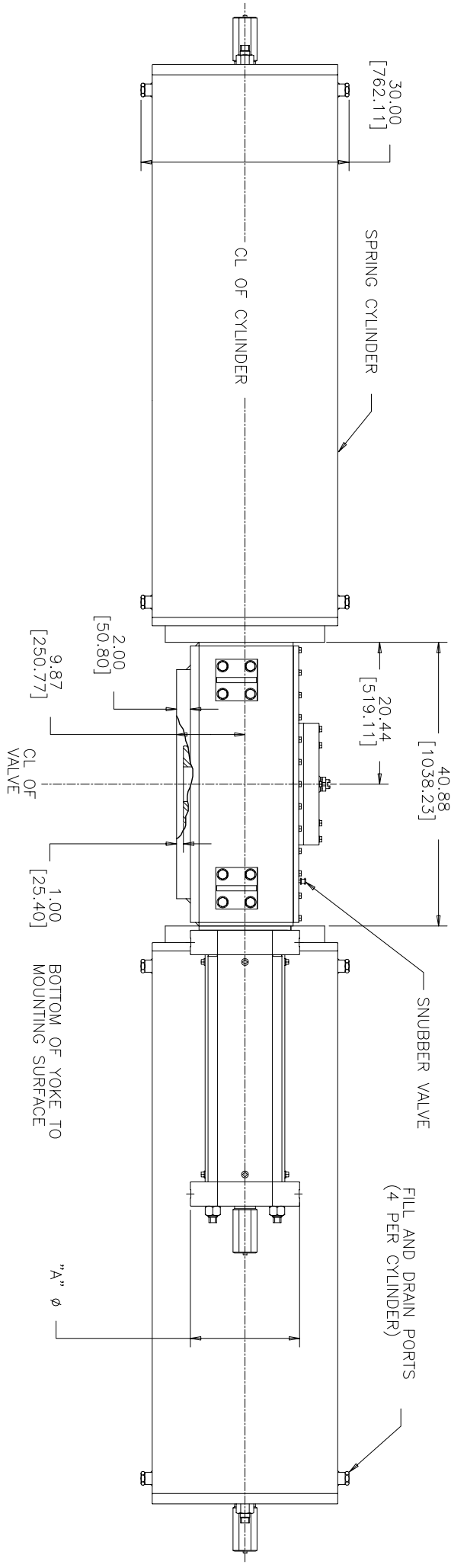
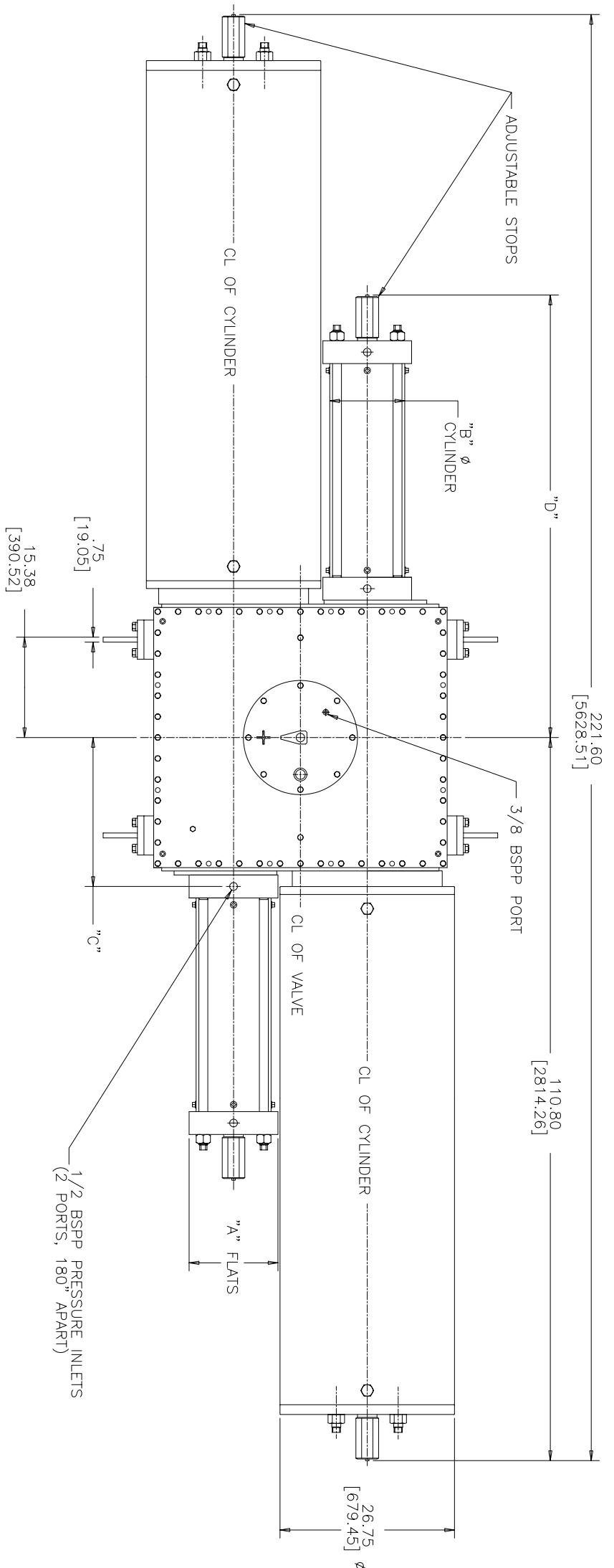


| REVISIONS | | |
|-----------|-------|-------|
| LTR | ECN | DATE |
| B | 11492 | 10/91 |



NOTES:
 1.) ACTUATOR SHOWN ROTATED TO THE FULL CLOCKWISE POSITION.
 2.) DIMENSIONS IN BRACKETS ARE IN MILLIMETERS.

THIS DRAWING TO BE USED WITH PURCHASE ORDER NO. _____ AND SUPERSEDES ALL PREVIOUS DRAWINGS. DATED _____ CERTIFIED BY: _____ GH BETTIS _____ DATE: _____

| DRAWN BY: | RDC | DATE |
|--|-----|--------|
| CHECKED BY: <td>LFG</td> <td>7/9/91</td> | LFG | 7/9/91 |
| APPROVED BY: <td>MR</td> <td>7/91</td> | MR | 7/91 |

| TITLE: | | PART NO. | |
|---|--|----------|-----------|
| BASE 1 F0102XX-2SRX ACTUATOR, BSPPT. | | 107225 | |
| SALES ORDER: 91-1457 A | | SCALE | DWG. SIZE |
| CAD GENERATED DRAWING | | 1/10 | D |
| THIRD ANGLE PROJECTION | | SHEET | REV. |
| | | 1 OF 2 | 2 B |

8 7 6 5 4 3 2 1