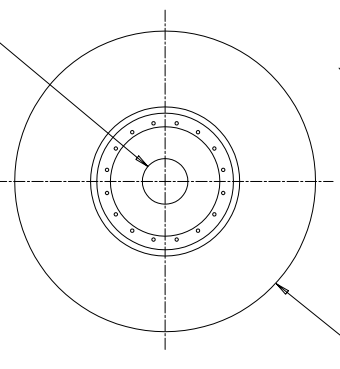


MODEL	"A" ϕ	"A" FLATS	"B" ϕ	"C"	"D"	DISPLACEMENT
FQ10207-2SR1,2,3	12.62 [320.55]	N/A	8.25 [209.55]	22.69 [576.39]	66.31 [1684.34]	1,376.60 CU.INS. (22.56 L.)
FQ10208-2SR1,2,3	13.62 [345.95]	N/A	9.50 [241.30]	22.69 [576.39]	66.31 [1684.34]	1,859.62 CU.INS. (30.48 L.)
FQ10210-2SR1,2,3	15.75 [400.75]	13.62 [345.95]	11.50 [292.10]	22.81 [579.44]	67.82 [1722.69]	3,018.86 CU.INS. (49.48 L.)

MODEL	APPROX. WT.
FQ10207-2SR1	12,470 LBS./ 5,656.36 KGS.
FQ10207-2SR2	12,800 LBS./ 5,806.04 KGS.
FQ10207-2SR3	13,030 LBS./ 5,910.37 KGS.
FQ10208-2SR1	12,703 LBS./ 5,762.04 KGS.
FQ10208-2SR2	13,033 LBS./ 5,911.73 KGS.
FQ10208-2SR3	13,263 LBS./ 6,016.06 KGS.
FQ10210-2SR1	13,147 LBS./ 5,963.44 KGS.
FQ10210-2SR2	13,477 LBS./ 6,113.13 KGS.
FQ10210-2SR3	13,707 LBS./ 6,217.45 KGS.

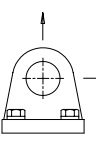
MOUNTING PLATE, 33.00 [838.2] O.D. X
16.37 [415.8] I.D. X 2.00 [50.8] THK.
(MTG. HOLES SPECIFIED PER
CUSTOMER REQUEST)



YOKE BORE AND KEYWAY DIMENSIONS
PER CUSTOMER REQUEST: MAXIMUM YOKE
BORE IS 8.293 ϕ WITH 2 X 1.25 KEYWAYS.

MOUNTING SURFACE
(VIEWED FROM BELOW ACTUATOR)

10,000 LBS. MAX.
[4535.9 KG]



DETAIL A
(LOAD LIMITS PER LIFTING LUG)

