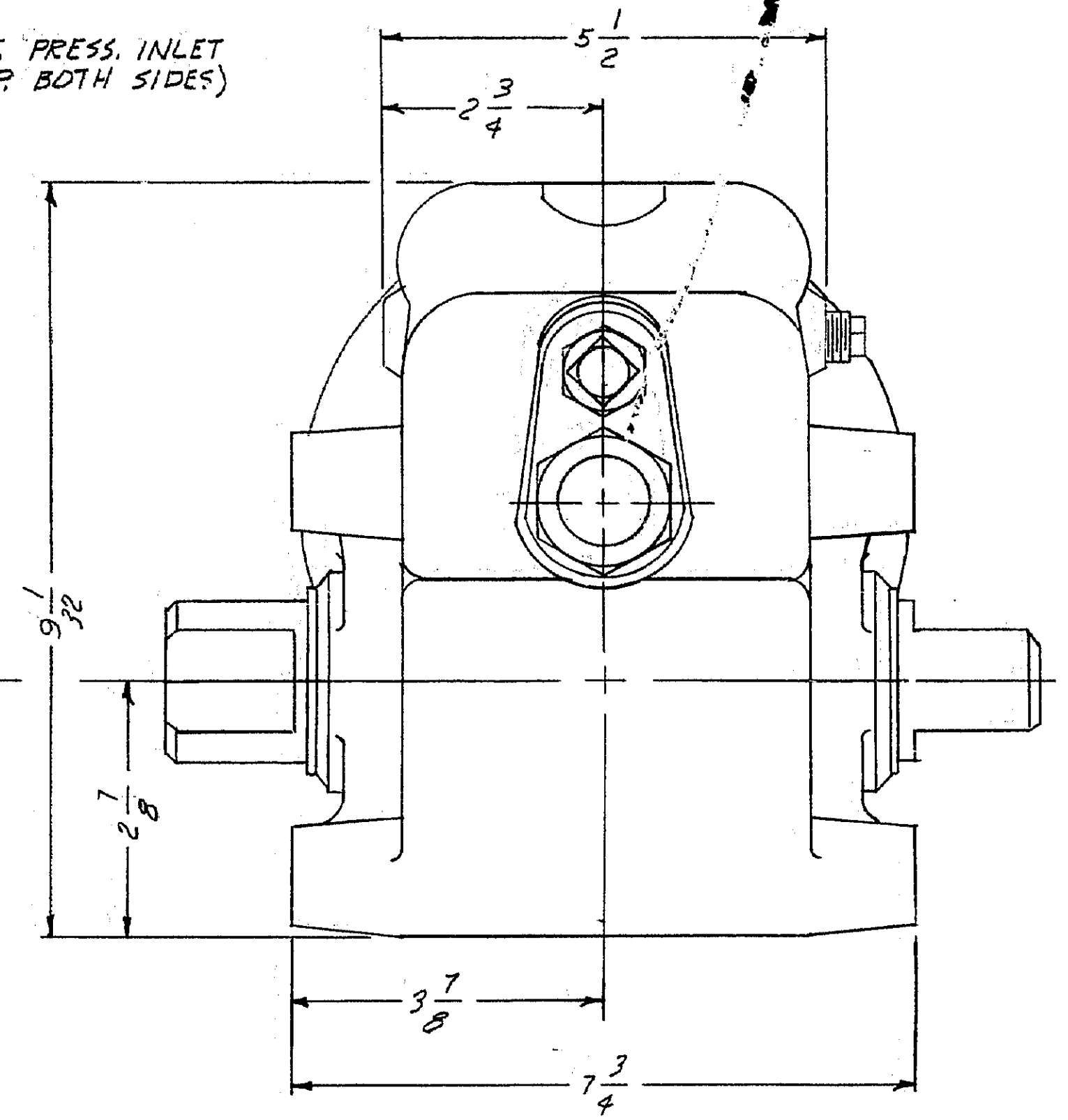
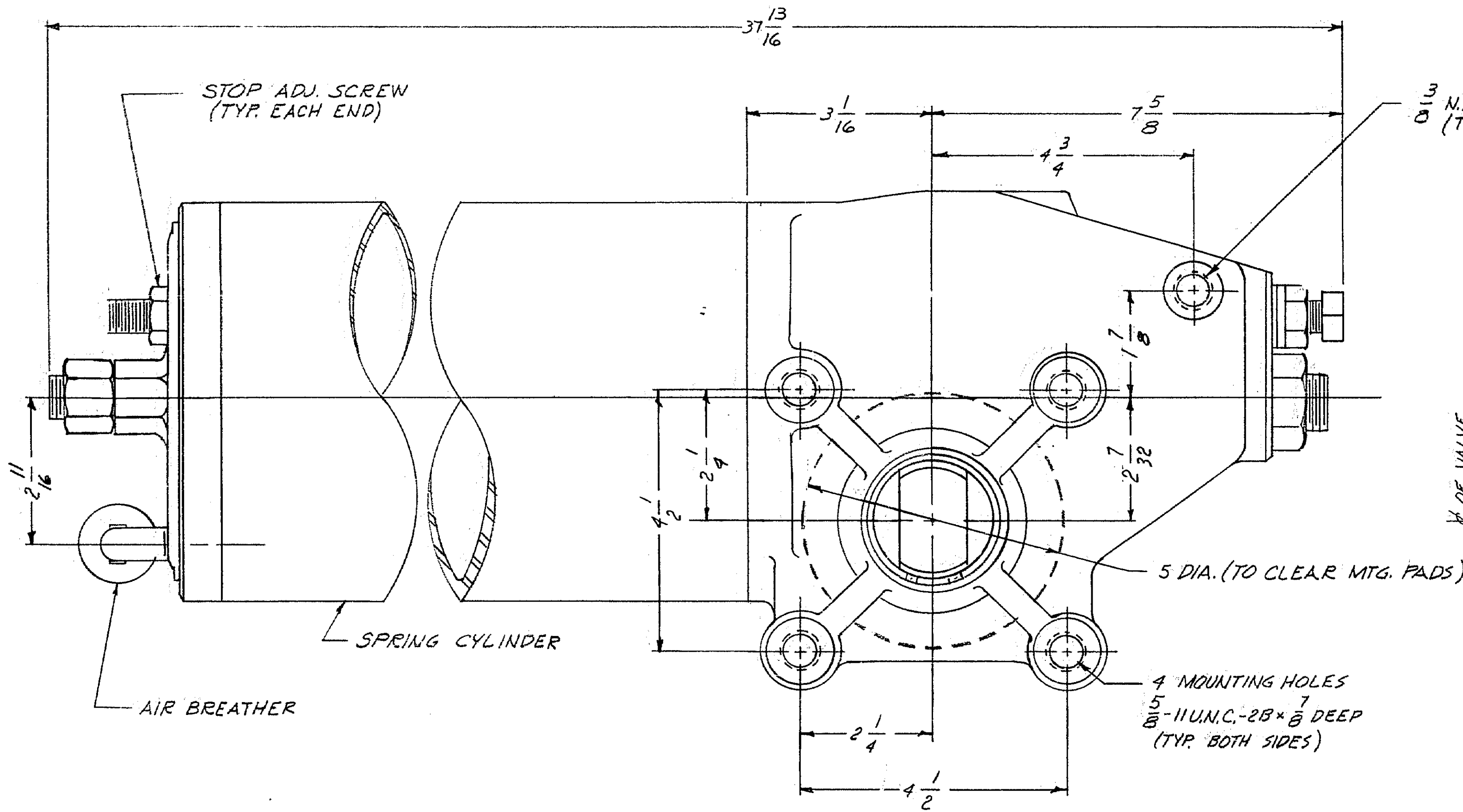
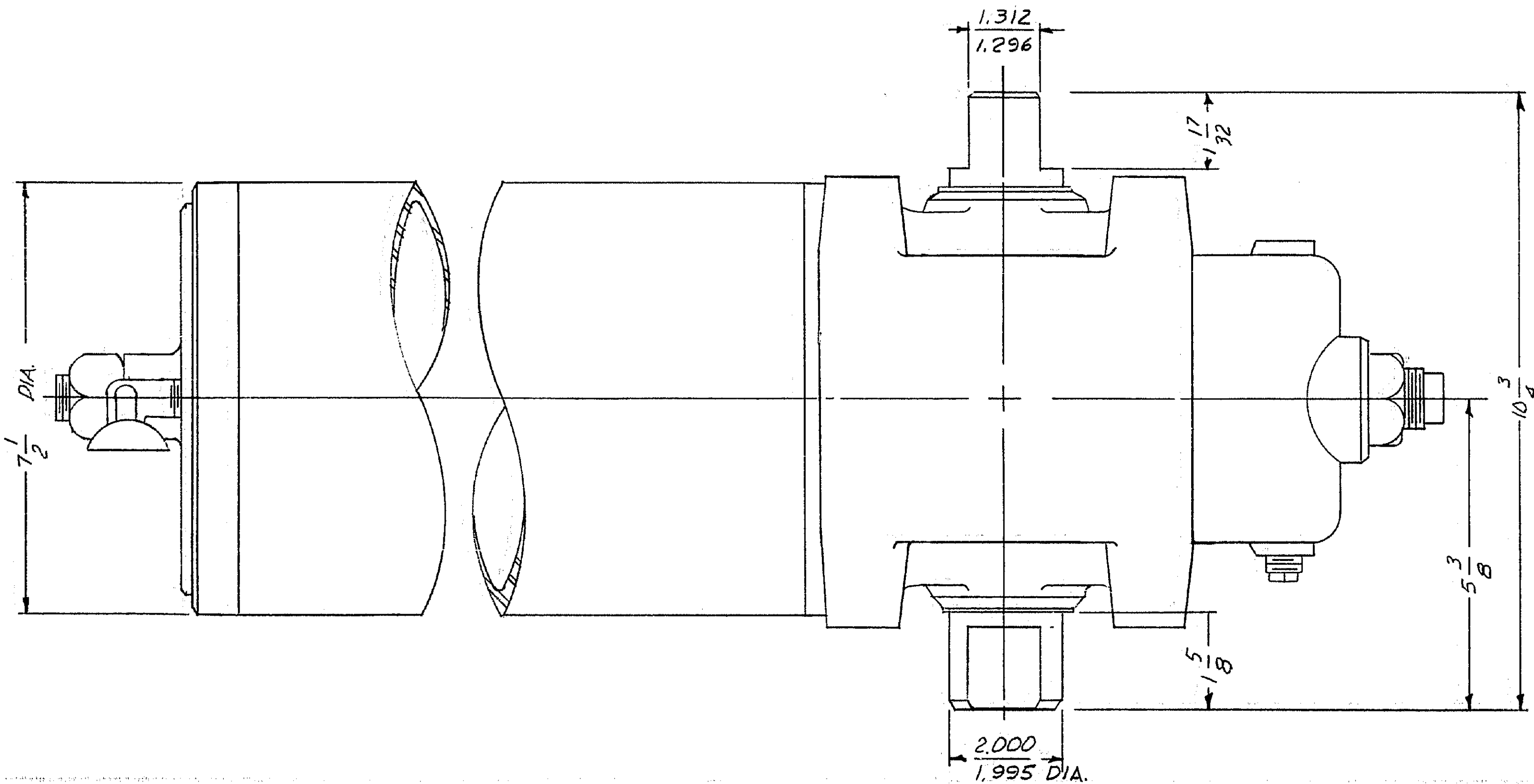



ECO	DATE	REV	BY
183	11-10-72	A	FOS



- NOTE:
- ① ACTUATOR SHOWN ROTATED TO THE FULL CLOCKWISE POSITION
 - ② ACTUATOR ASSEMBLED FOR SPRING TO PROVIDE CLOCKWISE ROTATION



© BETTIS CORPORATION, 1972, HOUSTON, TEXAS

PART NO.			
WEIGHT			
PROJ. NO.	DIMENSIONAL DRAWING		
W.O. NO.	MODEL		
L.O. NO.	CB-735A-SR ROBOTARM®		
CHK. BY	MRJ 11-10-72	DRAWN BY	FOS
APPR. BY		DATE	11-9-72
SCALE	NONE	DWG. NO.	SPC-5108
		REV.	A