

Product data sheet

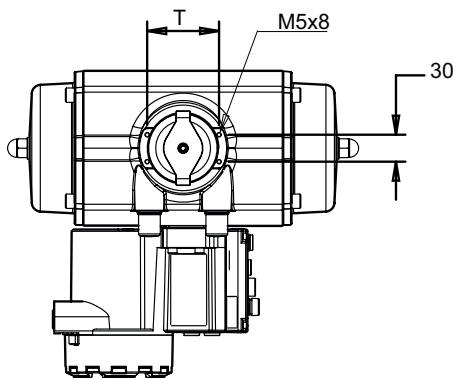
Sheet No.: 1.603.08 - Rev: A

Date: December, 2010

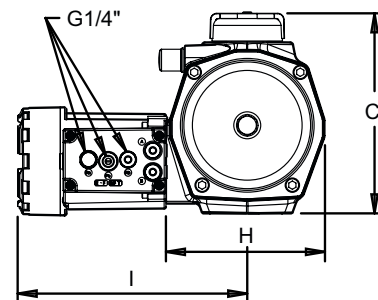
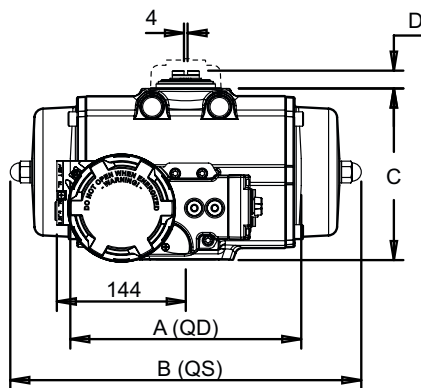
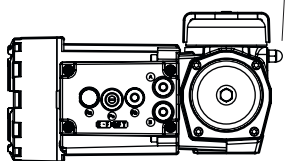
FieldQ

FieldQ Valve Actuator Dimensions

Metric Actuators - ISO5211

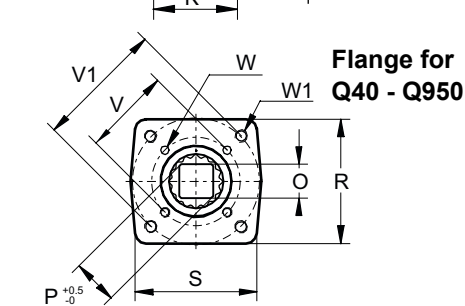
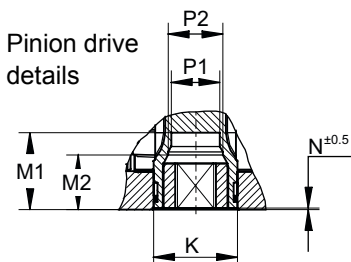


limit stops on Q40 & Q65

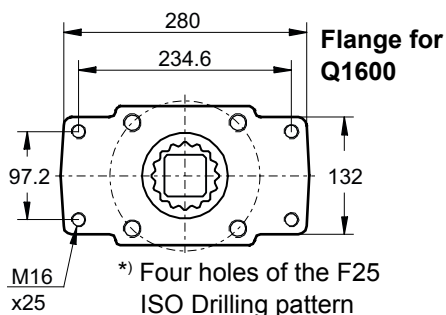


Note:

1. Dimensions are metric (mm).
2. The limit stop screws on the Q40 and Q65 are on the opposite side to those on the larger actuators.
3. Top flange according VDI/VDE 3845 (NAMUR)



Flange for Q40 - Q950



Flange for Q1600

Dim in mm.	FieldQ™ actuator models								
	Q40	Q65	Q100	Q150	Q200	Q350	Q600	Q950	Q1600
A QD	180	199	221	254	283	305	387	424	516
B QS	204	249	267	310	346	387	416	460	568
C	104	117	141	150	161	191	245	276	337
C'	137	150	175	184	194	225	289	319	380
D	20	20	20	20	20	20	30	30	30
E	56	56	56	65	66	66	84	88	95
F	16	18	18	22	30	30	35	35	45
G	9,5	9	11	10	9	10	19,5	19	28,5
H	90	102	115	129	135	177	209	234	268
I	212	218	225	232	235	256	272	284	301
J	40	40	34	46	45	46	53	40	70
K	33	33	38	55	55	55	68	75	95
M1	34.5	34.5	34.5	50	50	50	52	64	82
M2	-	-	27	-	37	37	-	-	-
N	1	1	1.5	1.0	1.5	1.5	1.5	1.5	1.5
O max.	14.11	14.11	19.13	19.13	22.13	27.13	27.13	36.16	46.16
O min.	14.00	14.00	19.00	19.00	22.00	27.00	27.00	36.00	46.00
P	18.1	18.1	25.2	25.2	28.2	36.2	36.2	48.2	60.2
P1	18.1	18.1	23.1	28.5	32.1	32.1	36.5	48.5	60.5
P2	-	-	25.2	-	36.2	36.2	-	-	-
R	65	70	70	90	90	114	124	130	154
S	65	70	70	90	90	114	124	142	280
T	80	80	80	80	80	80	130	130	130
PCD	F05/F07	F05/F07	F05/F07	F07/F10	F07/F10	F07/F10	F10/F12	F10/F14	F16/F25*
V	50	50	50	70	70	70	102	102	165
V1	70	70	70	102	102	102	125	140	-
W	M6x10	M6x10	M6x10	M8x13	M8x13	M8x13	M10x16	M10x16	M20x30
W1	M8x13	M8x13	M8x13	M10x16	M10x16	M10x16	M12x20	M16x25	-



www.FieldQ.com

Copyright © Emerson Process Management. The information in this document is subject to change without notice. Updated data sheets can be obtained from our web site www.FieldQ.com or from your nearest Valve Automation Center:

America's: +1 813 630 2255 (fax +1 630 9449) Europe: +31 74 256 10 10 (fax +31 74 291 09 38) Asia/Pacific: +65 626 24 515 (fax +65 626 80 028)



EMERSON
Process Management