

# Product data sheet

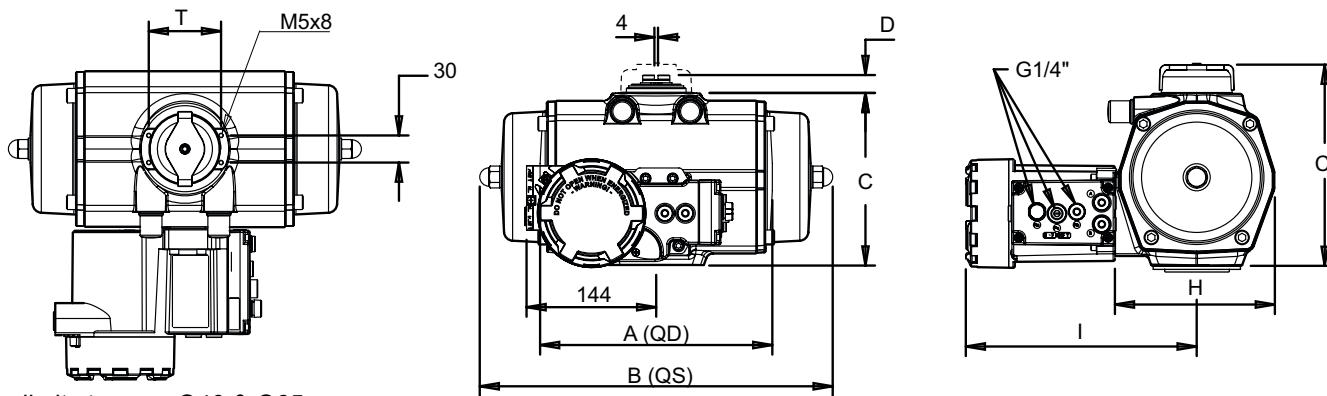
Sheet No.: 1.603.10 - Rev: A

Date: December, 2010

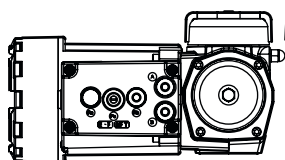
FieldQ

# FieldQ Valve Actuator Dimensions

## Metric Actuators - DIN3337



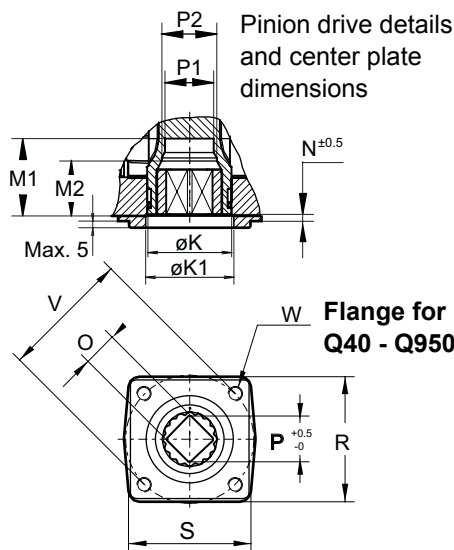
limit stops on Q40 & Q65



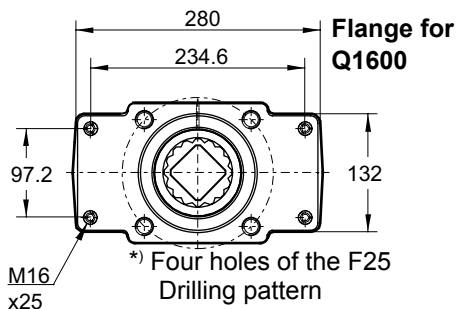
### Note:

1. Dimensions are metric (mm).
2. The limit stop screws on the Q40 and Q65 are on the opposite side to those on the larger actuators.
3. Top flange according to VDI/VDE 3845 (NAMUR)

Pinion drive details and center plate dimensions



Flange for Q40 - Q950



Dim in mm.	FieldQ™ actuator models									
	Q40	Q65	Q100	Q150	Q200	Q350	Q600	Q950	Q1600	
A QD	180	199	221	254	283	305	387	424	516	
B QS	204	249	267	310	360	387	477	517	637	
C	104	116,5	141	150	161	191	245	276	337	
C'	137	150,4	175	184	194	225	289	319	380	
D	20	20	20	20	20	20	30	30	30	
E	56	56	56	65	66	66	84	88	95	
F	16	18	18	22	30	30	35	35	45	
G	9,5	14	11	10	9	10	19,5	19	28,5	
H	86	102	108	129	128	173	207	231	265	
I	212	218	225	232	235	256	272	284	301	
J	40	40	34	46	45	46	53	40	70	
K	33	33	38	55	55	55	68	75	95	
K1	32	32	40	50	54	54	68	75	95	
M1	34,5	34,5	34,5	50	50	50	52	64	82	
M2	-	-	27	-	37	37	-	-	-	
N	1	1	1,5	1	1,5	1,5	1,5	1,5	1,5	
O max.	14,11	14,11	17,13	17,13	22,13	22,13	27,13	36,16	46,16	
O min.	14,00	14,00	17,00	17,00	22,00	22,00	27,00	36,00	46,00	
P	18,1	18,1	22,2	22,2	28,2	28,2	36,2	48,2	60,2	
P1	18,1	18,1	23,1	28,5	32,1	32,1	36,5	48,5	60,5	
P2	-	-	25,2	-	36,2	36,2	-	-	-	
Q	35	70	55	55	70	70	85	100	130	
R	65	70	70	90	90	114	124	130	154	
S	65	80	70	90	90	114	124	142	280	
T	80	50	80	80	80	80	130	130	130	
PCD	F05	F05	F07	F07	F10	F10	F12	F14	F16	
V	50	50	70	70	102	102	125	140	165	
W	M6x10	M6x10	M8x13	M8x13	M10x16	M10x16	M12x20	M16x25	M20x30	
Optional dimensions										
K1'	40	40	32	54	50	50	-	-	-	
Q'	55	35	35	70	55	55	-	-	-	
PCD	F07	F07	F05	F10	F07	F07	F10	F10	F25*	
V'	70	70	50	102	70	70	102	102	-	
W'	M8x13	M8x13	M6x10	M10x16	M8x13	M8x13	M10x16	M10x16	-	



www.FieldQ.com

Copyright © Emerson Process Management. The information in this document is subject to change without notice. Updated data sheets can be obtained from our web site [www.Fieldq.com](http://www.Fieldq.com) or from your nearest Valve Automation Center:  
 America's: +1 813 630 2255 (fax +1 630 9449) Europe: +31 74 256 10 10 (fax +31 74 291 09 38) Asia/Pacific: +65 626 24 515 (fax +65 626 80 028)



**EMERSON**  
Process Management