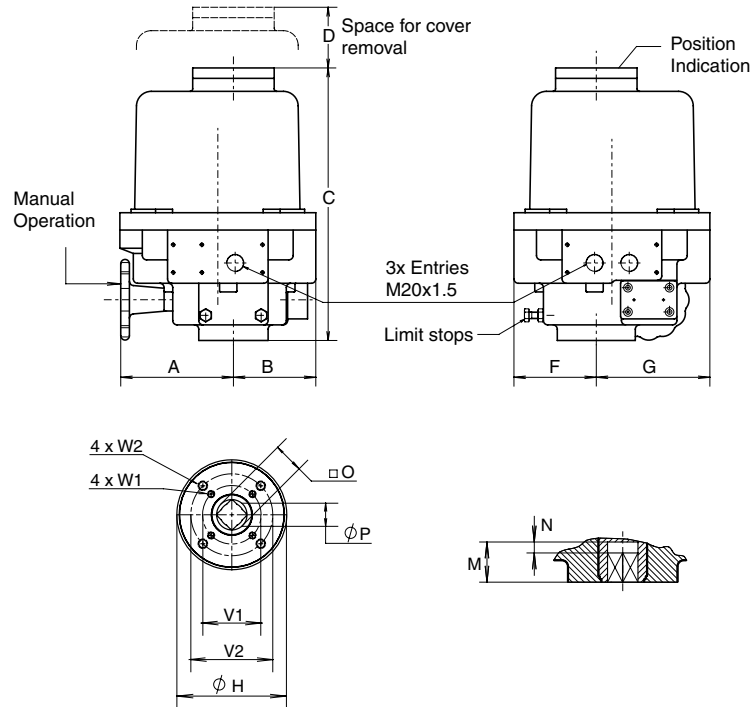


Data sheet

Sheet No.: 5.105.3 Rev. A
Date: October 2012

DIMENSIONS AND TECHNICAL DETAILS - ELECTRIC ACTUATOR

EL Exd DIN



Description

Type EL actuators use worm and wormwheel reduction gearing to provide tight positioning control and the self locking feature necessary for controlling larger valves, particularly butterfly types.

The explosion proof housing consists of two aluminium castings, this contains the drive motor and worm gear assembly, together with the anti-condensation heater and main terminal strip.

EL actuators take the full range of control options, they have hand wheel geared manual over rides, mechanical end position stops and torque switches on all the larger sizes. Visual position indication is by a window in the top cover.

General Specification

Nominal Rotation : 90° - factory set to $\pm 3^\circ$
 : Adjustable by limit switches 10° to 320°
 Explosion proof : II 2 G Ex db IIB T4, suitable for ATEX Zones 1, 2 (gas)
 Certificate nr. : DEKRA 12ATEX0001 X
 Enclosure : IP67 (Optional: IP68)
 Temperature : -20°C to +60°C
 Connections : By 12 and/or 16 point internal terminal strip
 Finish : Two component polyurethane coating
 Life : 50,000 operations minimum
 Heater : 10 Watt
 Motor voltages and types
 - DC : 24VDC
 - AC Single phase : 24VAC 50/60Hz
 : 110-130VAC 50/60Hz
 : 220-280VAC 50/60Hz
 - AC Three phase : 380-460VAC 50/60Hz

Stall protection : By motor thermostat (all sizes)
 : By thermostat and by torque switches (EL 100-800)
 Identification : Ex: EL 200 Exd

Minimum customer switch or contactor rating 16Amp.

Dim. mm	EL 35 & 55	EL100	EL150	EL200	EL350	EL500	EL800
A	130	135	135	185	185	195	195
B	70	100	100	109	109	128	128
C	275	290	292	315	315	380	380
D	145	165	165	165	165	165	190
3x E	M20x1.5	M20x1.5	M20x1.5	M20x1.5	M20x1.5	M20x1.5	M20x1.5
F	70	77	77	96	96	123	123
G	95	120	120	140.5	140.5	166	166
H	90	90	90	125	125	150	150
M	27.5	33	33	33	33	45	45
N	9	9	9	9	9	-	-
O max.	14.11	19.11	19.11	19.11	19.11	27.13	27.13
O min.	14.00	19.00	19.00	19.00	19.00	27.00	27.00
P	18	25	25	25	25	36	36
V1	50	50	50	70	70	102	125
V2	70	70	70	102	102	-	-
W1	M6x12	M6x12	M6x12	M8x15	M8x15	M10x18	M12x20
W2	M8x15	M8x15	M8x15	M10x18	M10x18	-	-

Performance	EL35	EL55	EL100	EL150	EL200	EL350	EL500	EL800
Torque (Nm)	Break	35	55	100	150	200	350	500
	Run	12.7	20	35	53	70	123	175
Speed (Sec.)	50Hz	6	6	7.5	9	13.5	22	25.5
	110V AC	1.1	-	2.9	2.9	2.9	2.9	2.9
	230V AC	-	0.6	1.7	1.7	1.7	1.7	2.3
Current (A) (Max.)	24V DC	-	5	8	8	8	8	-
	110V AC	100	-	225	225	225	225	315
	230V AC	-	72	200	200	200	200	305
Power (W)	24V DC	-	45	118	118	118	118	-
	Switches-Indication	4x16A	4x16A	4x16A	4x16A	4x16A	4x16A	4x16A
	Torque SPDT at 110/240VAC)	-	-	2x16A	2x16A	2x16A	2x16A	2x16A
Weight (Kg.)	7.4	7.4	12.4	12.4	18.6	20.1	27.8	31.5
Duty rating	30%	30%	30%	30%	30%	30%	30%	30%

EL-O-MATIC

www.El-O-matic.com

Copyright © Emerson Process Management. The information in this document is subject to change without notice.

Updated data sheets can be obtained from our website www.El-O-matic.com or from your nearest Valve Automation Center **USA: +1 813 319 0266 Europe: +31 74 256 10 10 Asia-Pacific: +65 6501 4600**



EMERSON
Process Management