

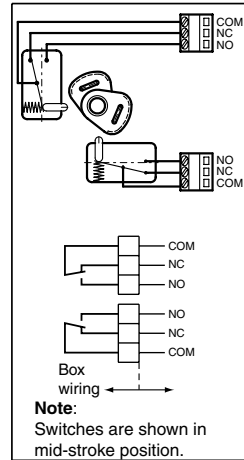
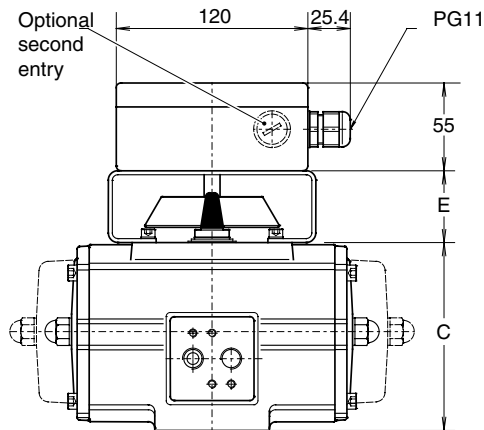
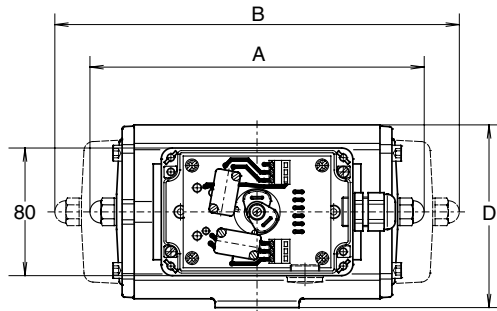
Data sheet

Sheet No.: 3.214 Rev. A

Date: November 2009

EL-O-MATIC ACTUATOR WITH LDN SWITCHBOX

LDN



Description

This general purpose switch box encloses two single pole double throw change over switches for indicating the fully open and fully closed actuator positions.

The switches are operated by two cams on an extension of the actuator drive shaft and all mechanical parts are contained within the enclosure. All six terminals of the two switches are pre-wired to a terminal block which is easily accessible when the top cover is removed. The cover screws are captive.

Both switches are independently adjustable and are factory set to indicate at 5° before each end position. The switches are adjustable through the operating stroke and can be locked in any position after adjustment has completed.

The switch box is mounted on top of the actuator with an accessory bracket which incorporates a visual position indicator.

Specification

Switches

- Type : Mechanical V3
- Voltage : 250V AC
- Current : 11A at 250VAC /
1A at 12VDC /
0.25 at 250VDC
- Contacts : Normally open
and normally closed
- Temperature : -25°C to +80°C

Housing

- Material : Base : ABS (Black),
Cover : PC (clear)
- Electrical entry : 1x Pg 11
Option : Second entry
- Enclosure : IP65
- Mounting : Acc. NAMUR VDI/VDE3845
The E12 has its own bracket

Identification

LDN

Options

- Various 2-wire proximity switches, intrinsically safe, see data sheet 3.214.01
- 2-Wire and 3-Wire proximity switches, see data sheet 3.214.21
- Up to 4 mechanical switches
- Second entry
- Extra terminals

Dim. in mm.	Actuator type											
	E12	E25	E40	E65	E100	E200	E 350	E600	E950	E1600	P2500	P4000
A PD/ED	103	159	180	199	221	283	305	387	424	516	378	502
B PE/ES	118	172	204	249	267	360	387	477	517	637	570	834
C	80	100	113	125	138	163	201	250	289	327	386	410
D	60	83	96	107	117	137	182	217	242	275	358	390
E	45	45	45	45	45	45	45	55	55	55	55	55

EL-O-MATIC

www.El-O-matic.com

Copyright © Emerson Process Management. The information in this document is subject to change without notice.

Updated data sheets can be obtained from our website www.El-O-Matic.com or from your nearest Valve Automation Center **USA:** +1 813 319 0266 **Europe:** +31 74 256 10 10 **Asia-Pacific:** +65 6501 4600



EMERSON
Process Management