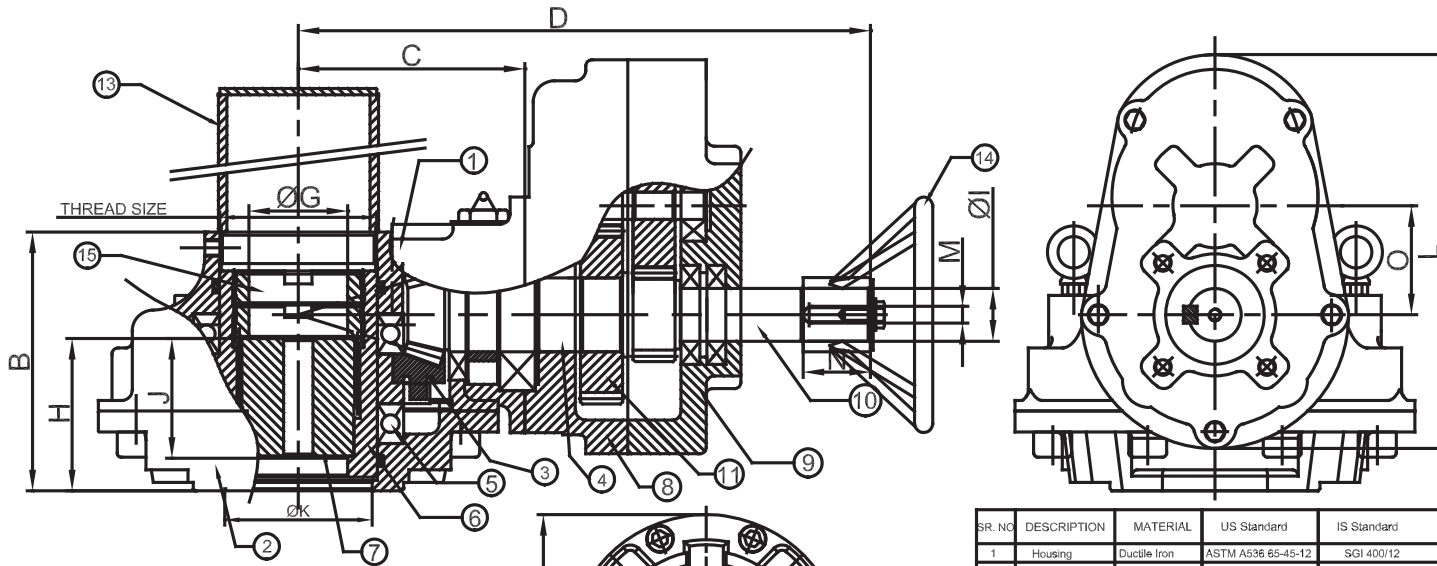
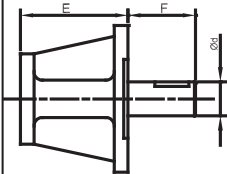


# Performance Specifications ATB-1SD Series (A-Type, Standard Thrust)

## Multi-turn Bevel Gear Operators for Manual Operation and Electrical Actuation



### STANDARD ELECTRICAL ACTUATION FLANGE FOR ALL MODEL



ACTUATOR MOUNTING ISO 5211	Ød
F10	25
F14	30
F16	35

FLANGE DRILL AS PER ISO 5211  
KEYWAY AS PER IS 2048

SR. NO	DESCRIPTION	MATERIAL	US Standard	IS Standard
1	Housing	Ductile Iron	ASTM A536 65-45-12	SGI 400/12
2	Base Plate	Ductile Iron	ASTM A536 65-45-12	SGI 400/12
3	Bevel Gear	Carbon Steel	ASTM A322 4140	40CrMo3
4	Bevel Pinion	Carbon Steel	ASTM A322 4140	40CrMo3
5	Thrust Bearing	Special Steel		Cylindrical Roller Bearing
6	Adaptor Sleeve	Ductile Iron	ASTM A536 70-60-05	SGI 500/7
7	Adaptor	Bronze	B148 C95800	-
8	Spur Housing	Ductile Iron	ASTM A536 65-45-12	SGI 400/12
9	Spur Cover	Ductile Iron	ASTM A536 65-45-12	SGI 400/12
10	Input Pinion	Carbon Steel	ASTM A322 4140	40CrMo3
11	Spur Gear	Carbon Steel	ASTM A322 4140	40CrMo3
12	Hardware	Carbon Steel	-	10.9Gr or Equivalent
13	Slam Protector	Carbon Steel	ASTM A53	IS 2062 Gr B
14	Handwheel	Carbon Steel	ASTM A53	IS 2062 Gr B
15	Locknut	Carbon Steel	ASTM A576 1045	45C8

MODEL	RATIO	RATED OUTPUT TORQUE (Nm)	MECHANICAL ADVANTAGE	INPUT TORQUE (Nm)	VALVE MTG FLANGE ISO 5211	OPTIONAL VALVE MTG FLANGE ISO 5211	MAX STEM DIAMETER(ØD)	MAX THRUST (kN)	A	B	C	D	E	F	G	H	ØI	J	K	L	M	N	O	RECOM-MENDED HANDWHEEL	APPROX WEIGHT (kg)	THREAD SIZE
ATB-06M-1SD	12.5:1	600	9.4	64	F12/F14	F16	50	290	180	119	108	306	66	58	50	72.5	25	56	53	194	8	35	80	Ø500	24	2.5"X11TPI BSP
ATB-11M-1SD	15.5:1	1100	11.6	95	F14/F16	-	55	415	225	145	139	337	66	58	60	85.5	25	62	63	194	8	35	80	Ø600	33	3"X11TPI BSP
ATB-16M-1SD	27.75:1	1600	20.8	77	F16/F20	F25	68	630	270	160	155	368	66	58	75	106.5	25	77.5	87.5	241	8	35	90	Ø600	54	3.5"X11TPI BSP
ATB-23M-1SD	30.75:1	2500	23.1	108.2	F20/F25	F30	82	680	320	172	180	395	66	58	85	109.5	25	83.5	93.5	241	8	35	90	Ø600	72	4"X11TPI BSP
ATB-38M-1SD	49.5:1	3800	31.1	122	F25/F30	F35	95	780	376	202	220	437	66	58	102	135.5	30	100	101	353	8	35	112	Ø600	113	5"X11TPI BSP
ATB-55M-1SD	54:1	5500	40.5	135.8	F30/F35	F40	105	965	440	225	245	463	70	60	112	153.5	30	105	125	353	8	35	112	Ø750	156	5"X11TPI BSP
ATB-85M-1SD	58.5:1	8500	43.8	194	F35/F40	-	125	1270	490	256	267	484	70	60	126	165.5	30	110	141	353	8	35	112	Ø750	214	6"X11TPI BSP
ATB-130M-1SD	108:1	13000	81	160.5	F35/F40	-	145	1700	562	295	320	612	70	60	150	189	40	142	177.5	460	12	50	144	Ø750	375	M218X3P
ATB-180M-1SD	124:1	18000	93	193.5	F40	F48	170	2600	765	325	422	662	70	60	180	199.5	40	150	197.5	460	12	50	144	Ø750	450	M218X3P