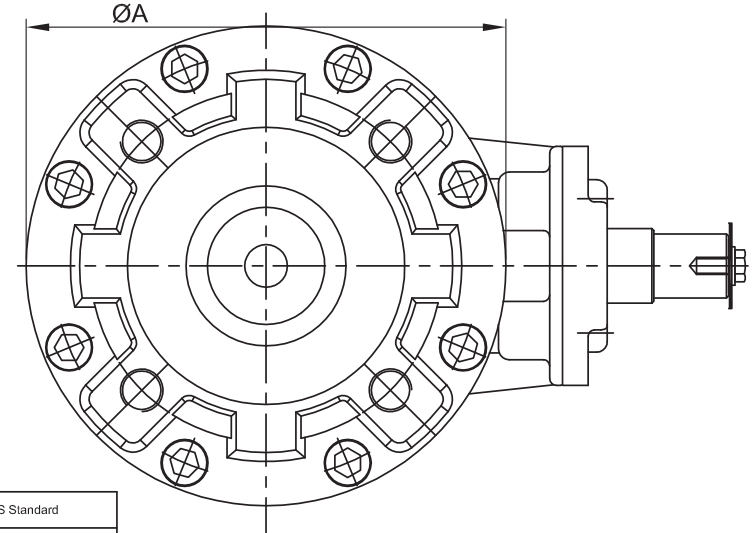
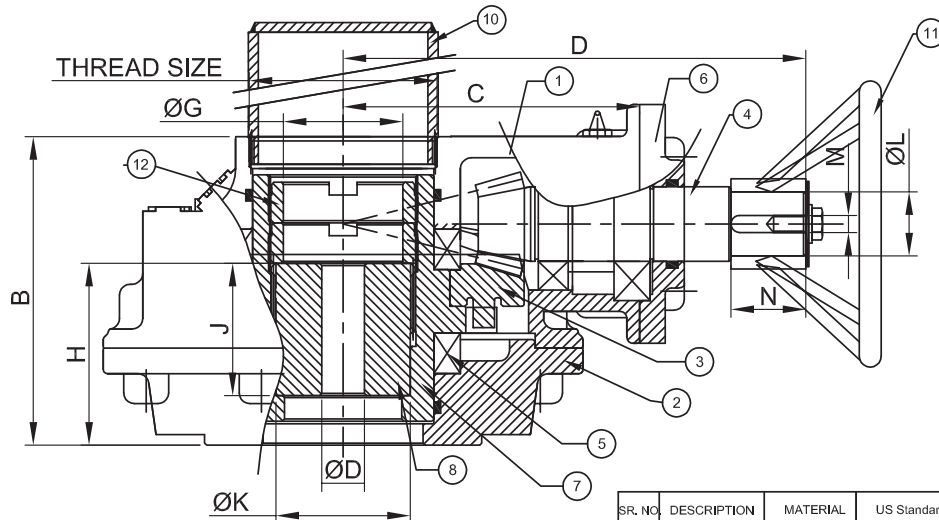
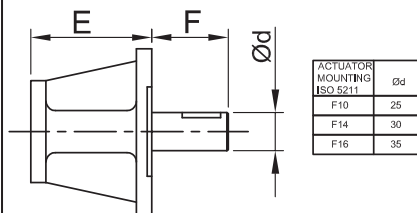


# Performance Specifications ATB Series (A-Type, Standard Thrust)

## Multi-turn Bevel Gear Operators for Manual Operation and Electrical Actuation



STANDARD ELECTRICAL ACTUATION FLANGE FOR ALL MODEL



FLANGE DRILL AS PER ISO 5211  
KEYWAY AS PER IS 2048

SR. NO.	DESCRIPTION	MATERIAL	US Standard	IS Standard
1	Housing	Ductile Iron	ASTM A536 65-45-12	SGI 400/12
2	Base Plate	Ductile Iron	ASTM A536 65-45-12	SGI 400/12
3	Bevel Gear	Carbon Steel	ASTM A322 4140	40Cr4Mo3
4	Bevel Pinion	Carbon Steel	ASTM A322 4140	40Cr4Mo3
5	Thrust Bearing	Special Steel	Ball Thrust Bearing	
6	Flange Cap	Ductile Iron	ASTM A536 65-45-12	SGI 400/12
7	Adaptor Sleeve	Ductile Iron	ASTM A536 70-50-05	SGI 500/7
8	Adaptor	Bronze	B148 C95800	-
9	Hardware	Carbon Steel	-	10,9Gr or Equivalent
10	Stem Protector	Carbon Steel	ASTM A53	IS 2062 Gr B
11	Handwheel (Pipe)	Carbon Steel	ASTM A53	IS 2062 Gr B
12	Lock Nut	Carbon Steel	ASTM A576 1045	45C8

MODEL	RATIO	RATED OUTPUT TORQUE (Nm)	MECHANICAL ADVANTAGE	INPUT TORQUE (Nm)	VALVE MTG FLANGE ISO 5211	OPTIONAL VALVE MTG FLANGE ISO 5211	MAX STEM DIAMETER(ØD)	MAX THRUST (KN)	A	B	C	D	E	F	ØG	H	J	ØK	ØL	M	N	RECOMMENDED HANDWHEEL (ØK)	APPROX WEIGHT (Kg)	THREAD SIZE
ATB-01	1:1	150	0.9	166	F07/F10	-	25	55	135	105	88	172	66	58	27	49	40	33	Ø25	8	35	Ø300	10	1 3/4"X11TPI BSP
ATB-02	2.5:1	250	2.25	111	F10/F12	-	30	80	150	110	100	185	66	58	32	60.5	43	37.5	Ø25	8	35	Ø300	12	2"X11TPI BSP
ATB-03	3:1	400	2.7	148	F10/F12	F14	40	120	169	113	110	201	66	58	42	64.5	48	45.5	Ø30	8	35	Ø400	13	2"X11TPI BSP
ATB-06	3.25:1	600	2.92	205	F12/F14	F16	50	160	193	122	108	187	66	58	47	72.5	56	53	Ø30	8	35	Ø500	15	2.5"X11TPI BSP
ATB-11	4:1	1100	3.6	305	F14/F16	-	55	200	228	145	141	217	66	58	56	85.5	62	63	Ø30	8	35	Ø600	24	3"X11TPI BSP
ATB-16	4.5:1	1600	4.05	395	F16/F20	F25	68	290	275	168	166	254	66	58	75	106.5	77.5	87.5	Ø30	8	35	Ø600	34	3.5"X11TPI BSP
ATB-23	5:1	2500	4.5	556	F20/F25	F30	82	350	335	174	193	281	66	58	85	109.5	83.5	93.5	Ø30	8	35	Ø600	50	4"X11TPI BSP
ATB-38	5.5:1	3800	4.95	768	F25/F30	F35	95	400	376	202	220	323	66	58	90	135.5	100	101	Ø38	10	35	Ø600	84	5"X11TPI BSP
ATB-55	6:1	5500	5.4	1018	F30/F35	F40	105	450	432	235	246	352	70	60	111	153.5	105	125	Ø38	10	35	Ø750	155	5"X11TPI BSP
ATB-85	6.5:1	8500	5.85	1452	F35/F40	-	125	530	490	259	267	372	70	60	126	165.5	110	141	Ø38	10	35	Ø750	185	6"X11TPI BSP
ATB-130	7:1	13000	6.3	2063	F35/F40	-	145	700	590	290	340	468	70	60	150	189	141.5	177.5	Ø50	14	50	Ø750	280	M218X3P
ATB-180	8:1	18000	7.2	2500	F40	F48	170	1000	680	323	390	512	70	60	180	199.5	150	197.5	Ø50	14	50	Ø750	360	M218X3P