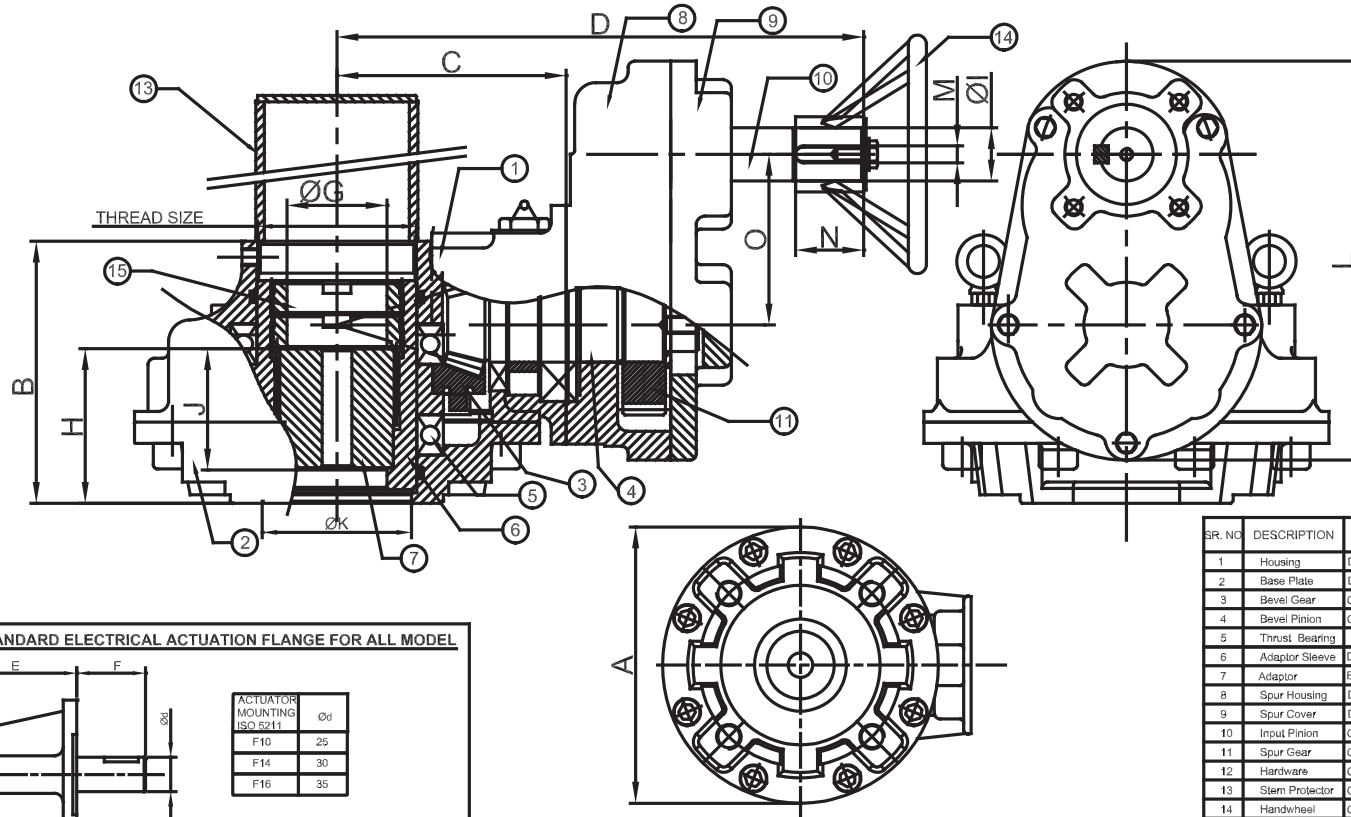
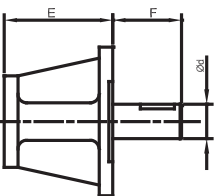


# Performance Specifications ATB-M-1S Series (A-Type, Medium Thrust)

Multi-turn Bevel Gear Operators for Manual Operation and Electrical Actuation



**STANDARD ELECTRICAL ACTUATION FLANGE FOR ALL MODEL**



ACTUATOR MOUNTING ISO 5211	Ød
F10	25
F14	30
F16	35

FLANGE DRILL AS PER ISO 5211  
KEYWAY AS PER IS 2048

SR. NO	DESCRIPTION	MATERIAL	US Standard	IS Standard
1	Housing	Ductile Iron	ASTM A536 65-45-12	SGI 400/12
2	Base Plate	Ductile Iron	ASTM A536 65-45-12	SGI 400/12
3	Bevel Gear	Carbon Steel	ASTM A322 4140	40CrMo3
4	Bevel Pinion	Carbon Steel	ASTM A322 4140	40CrMo3
5	Thrust Bearing	Special Steel		Cylindrical Roller Bearing
6	Adaptor Sleeves	Ductile Iron	ASTM A536 70-50-05	SGI 500/7
7	Adaptor	Bronze	B148 C95800	-
8	Spur Housing	Ductile Iron	ASTM A536 65-45-12	SGI 400/12
9	Spur Cover	Ductile Iron	ASTM A536 65-45-12	SGI 400/12
10	Input Pinion	Carbon Steel	ASTM A322 4140	40CrMo3
11	Spur Gear	Carbon Steel	ASTM A322 4140	40CrMo3
12	Hardware	Carbon Steel	-	10.9Gr or Equivalent
13	Stem Protector	Carbon Steel	ASTM A53	IS 2062 Gr B
14	Handwheel	Carbon Steel	ASTM A53	IS 2062 Gr B
15	Locknut	Carbon Steel	ASTM A576 1045	45C8

MODEL	RATIO	RATED OUTPUT TORQUE (Nm)	MECHANICAL ADVANTAGE	INPUT TORQUE (Nm)	VALVE MTG FLANGE ISO 5211	OPTIONAL VALVE MTG FLANGE ISO 5211	MAX STEM DIAMETER(ØD)	MAX THRUST (KN)	A	B	C	D	E	F	G	H	ØI	J	K	L	M	N	O	RECOM-MENDED HANDWHEEL	APPROX WEIGHT (Kg)	THREAD SIZE
ATB-06M-1S	6.5:1	600	5.2	115.3	F12/F14	F16	50	290	180	119	108	269	66	58	50	72.5	25	56	53	194	8	35	80	Ø500	22	2.5"X11TPI BSP
ATB-11M-1S	8:1	1100	6.4	172	F14/F16	-	55	415	225	145	139	300	66	58	60	85.5	25	62	63	194	8	35	80	Ø600	31	3"X11TPI BSP
ATB-16M-1S	12.5:1	1600	10.0	160	F16/F20	F25	68	630	270	160	155	339	66	58	75	106.5	25	77.5	87.5	241	8	35	90	Ø600	51	3.5"X11TPI BSP
ATB-23M-1S	14:1	2500	11.2	223	F20/F25	F30	82	680	320	172	180	366	66	58	85	109.5	25	83.5	93.5	241	8	35	90	Ø600	68	4"X11TPI BSP
ATB-38M-1S	16:1	3800	12.8	297	F25/F30	F35	95	780	376	202	220	400	66	58	102	135.5	30	100	101	353	8	35	112	Ø600	105	5"X11TPI BSP
ATB-55M-1S	17.5:1	5500	14.0	393	F30/F35	F40	105	965	440	225	245	426	70	60	112	153.5	30	105	125	353	8	35	112	Ø750	148	5"X11TPI BSP
ATB-85M-1S	19:1	8500	15.2	559	F35/F40	-	125	1270	490	256	267	447	70	60	126	165.5	30	110	141	353	8	35	112	Ø750	205	6"X11TPI BSP
ATB-130M-1S	27.5:1	13000	22	591	F35/F40	-	145	1700	562	295	320	549	70	60	150	189	40	142	177.5	460	12	35	144	Ø750	356	M218X3P
ATB-180M-1S	31.5:1	18000	25.2	714	F40	F48	170	2600	765	325	422	599	70	60	180	199.5	40	150	197.5	460	12	35	144	Ø750	432	M218X3P