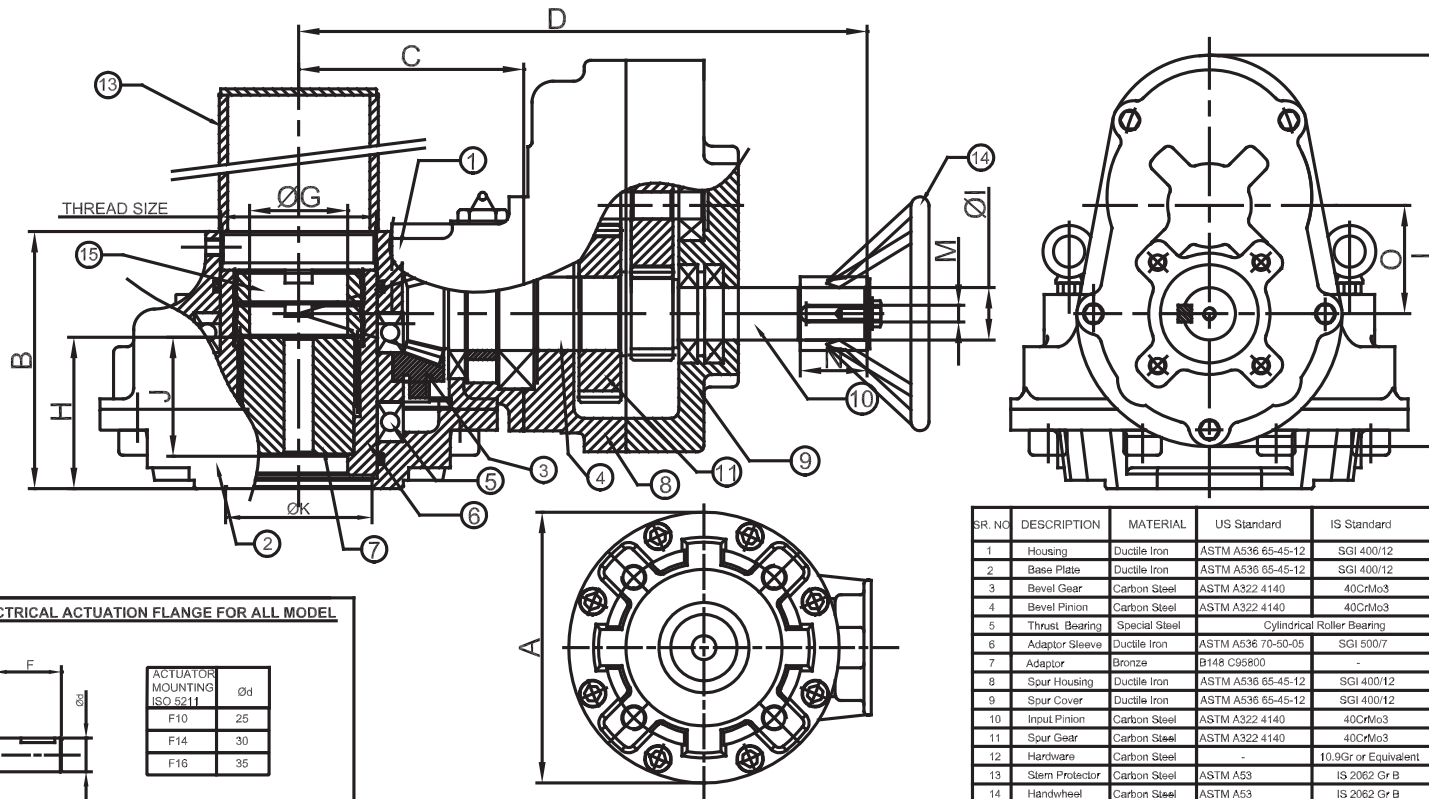


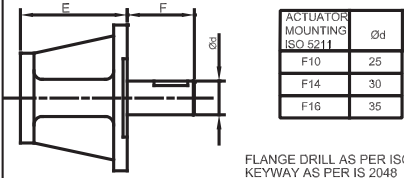
# Performance Specifications ATB-M-1SD Series (A-Type, Medium Thrust)

## Multi-turn Bevel Gear Operators for Manual Operation and Electrical Actuation



| SR. NO | DESCRIPTION    | MATERIAL      | US Standard        | IS Standard                |
|--------|----------------|---------------|--------------------|----------------------------|
| 1      | Housing        | Ductile Iron  | ASTM A536 65-45-12 | SGI 400/12                 |
| 2      | Base Plate     | Ductile Iron  | ASTM A536 65-45-12 | SGI 400/12                 |
| 3      | Bevel Gear     | Carbon Steel  | ASTM A322 4140     | 40CrMo3                    |
| 4      | Bevel Pinion   | Carbon Steel  | ASTM A322 4140     | 40CrMo3                    |
| 5      | Thrust Bearing | Special Steel |                    | Cylindrical Roller Bearing |
| 6      | Adaptor Sleeve | Ductile Iron  | ASTM A536 70-50-05 | SGI 500/7                  |
| 7      | Adaptor        | Bronze        | B148 C95800        | -                          |
| 8      | Spur Housing   | Ductile Iron  | ASTM A536 65-45-12 | SGI 400/12                 |
| 9      | Spur Cover     | Ductile Iron  | ASTM A536 65-45-12 | SGI 400/12                 |
| 10     | Input Pinion   | Carbon Steel  | ASTM A322 4140     | 40CrMo3                    |
| 11     | Spur Gear      | Carbon Steel  | ASTM A322 4140     | 40CrMo3                    |
| 12     | Hardware       | Carbon Steel  | -                  | 10.9Gr or Equivalent       |
| 13     | Stem Protector | Carbon Steel  | ASTM A53           | IS 2062 Gr B               |
| 14     | Handwheel      | Carbon Steel  | ASTM A53           | IS 2062 Gr B               |
| 15     | Locknut        | Carbon Steel  | ASTM A576 1045     | 45Cr                       |

### STANDARD ELECTRICAL ACTUATION FLANGE FOR ALL MODEL



FLANGE DRILL AS PER ISO 5211  
KEYWAY AS PER IS 2048

| MODEL        | RATIO   | RATED OUTPUT TORQUE (Nm) | MECHANICAL ADVANTAGE | INPUT TORQUE (Nm) | VALVE MTG FLANGE ISO 5211 | OPTIONAL VALVE MTG FLANGE ISO 5211 | MAX STEM DIAMETER(ØD) | MAX THRUST (KN) | A   | B   | C   | D   | E  | F  | G   | H     | ØI | J    | K     | L   | M  | N  | O   | RECOM-MENDED HANDWHEEL | APPROX WEIGHT (kg) | THREAD SIZE    |
|--------------|---------|--------------------------|----------------------|-------------------|---------------------------|------------------------------------|-----------------------|-----------------|-----|-----|-----|-----|----|----|-----|-------|----|------|-------|-----|----|----|-----|------------------------|--------------------|----------------|
| ATB-06M-1SD  | 12.5:1  | 600                      | 9.4                  | 64                | F12/F14                   | F16                                | 50                    | 290             | 180 | 119 | 108 | 306 | 66 | 58 | 50  | 72.5  | 25 | 56   | 53    | 194 | 8  | 35 | 80  | Ø500                   | 24                 | 2.5"X11TPI BSP |
| ATB-11M-1SD  | 15.5:1  | 1100                     | 11.6                 | 95                | F14/F16                   | -                                  | 55                    | 415             | 225 | 145 | 139 | 337 | 66 | 58 | 60  | 85.5  | 25 | 62   | 63    | 194 | 8  | 35 | 80  | Ø600                   | 33                 | 3"X11TPI BSP   |
| ATB-16M-1SD  | 27.75:1 | 1600                     | 20.8                 | 77                | F16/F20                   | F25                                | 68                    | 630             | 270 | 160 | 155 | 368 | 66 | 58 | 75  | 106.5 | 25 | 77.5 | 87.5  | 241 | 8  | 35 | 90  | Ø600                   | 54                 | 3.5"X11TPI BSP |
| ATB-23M-1SD  | 30.75:1 | 2500                     | 23.1                 | 108.2             | F20/F25                   | F30                                | 82                    | 680             | 320 | 172 | 180 | 395 | 66 | 58 | 85  | 109.5 | 25 | 83.5 | 93.5  | 241 | 8  | 35 | 90  | Ø600                   | 72                 | 4"X11TPI BSP   |
| ATB-38M-1SD  | 49.5:1  | 3800                     | 31.1                 | 122               | F25/F30                   | F35                                | 95                    | 780             | 376 | 202 | 220 | 437 | 66 | 58 | 102 | 135.5 | 30 | 100  | 101   | 353 | 8  | 35 | 112 | Ø600                   | 113                | 5"X11TPI BSP   |
| ATB-55M-1SD  | 54:1    | 5500                     | 40.5                 | 135.8             | F30/F35                   | F40                                | 105                   | 965             | 440 | 225 | 245 | 463 | 70 | 60 | 112 | 153.5 | 30 | 105  | 125   | 353 | 8  | 35 | 112 | Ø750                   | 156                | 5"X11TPI BSP   |
| ATB-85M-1SD  | 58.5:1  | 8500                     | 43.8                 | 194               | F35/F40                   | -                                  | 125                   | 1270            | 490 | 256 | 267 | 484 | 70 | 60 | 126 | 165.5 | 30 | 110  | 141   | 353 | 8  | 35 | 112 | Ø750                   | 214                | 6"X11TPI BSP   |
| ATB-130M-1SD | 108:1   | 13000                    | 81                   | 160.5             | F35/F40                   | -                                  | 145                   | 1700            | 562 | 295 | 320 | 612 | 70 | 60 | 150 | 189   | 40 | 142  | 177.5 | 460 | 12 | 50 | 144 | Ø750                   | 375                | M218X3P        |
| ATB-180M-1SD | 124:1   | 18000                    | 93                   | 193.5             | F40                       | F48                                | 170                   | 2600            | 765 | 325 | 422 | 662 | 70 | 60 | 180 | 199.5 | 40 | 150  | 197.5 | 460 | 12 | 50 | 144 | Ø750                   | 450                | M218X3P        |