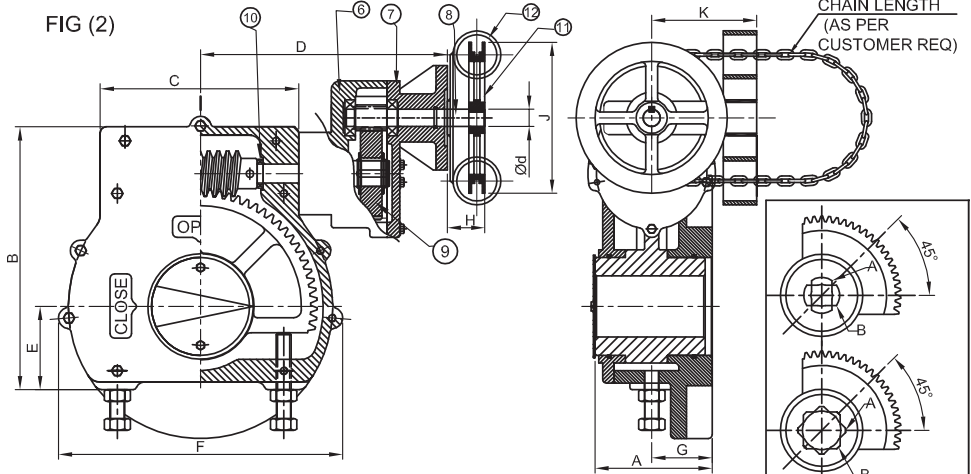
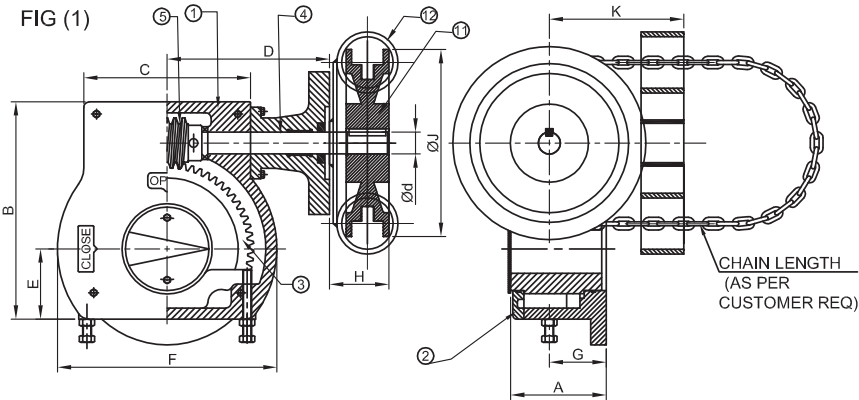


Performance Specifications CW Series

Quarter-turn Worm Gear Operators for Chainwheel Operation



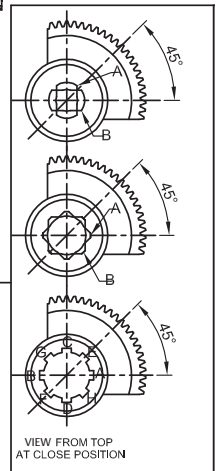
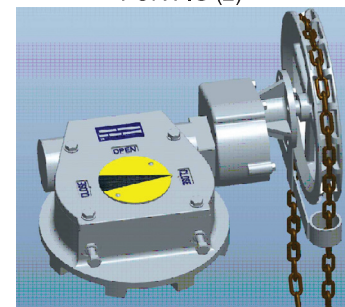
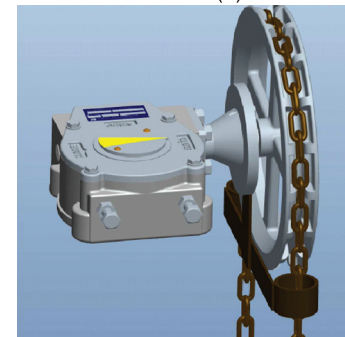
FOR FIG (1)

FOR FIG (2)

REFER FIG (1) FOR MODELS UPTO AT 90-CW

REFER FIG (2) FOR MODELS ABOVE AT 90-CW

MODEL	RATED OUTPUT TORQUE (Nm)	MECH. ADVANTAGE ±10%	RATIO	URNS TO CLOSE	ISO 5211 MOUNTING	MAX. DRIVE BORE	APPROX UNIT WEIGHT (Kg)	Ød	A	B	C	D	E	F	G	H	J	K
AT 20-CW	250	8	33:1	8.25	F05,F07	20	3.2	18	56.5	110	82	92	36	90	26	40	6"	112
AT 25-CW	500	10	40:1	10	F07,F10	30	5.5	18	69	136	98	105	54	108	35	48.5	9"	130
AT 30-CW	700	10	40:1	10	F10,F12	32	7	20	80	143	95	112	45	128	39	51	12"	160
AT 40-CW	1000	11	44:1	11	F10,F12,F14	45	10.5	20	93	176	116	120	70	140	47	51	12"	160
AT 50-CW	1500	12.5	48:1	12	F10,F12,F14,F16	50	12.2	20	88	198	138	139	81	168	45	51	15"	160
AT 60-CW	2000	14	60:1	15	F10,F12,F14,F16	50	15	20	92	214	156	135	85	176	46	51	15"	160
AT 70-CW	3500	18.25	73:1	18.25	F14,F16	80	38	25	118	265	268	165	85	250	62	55	20"	195
					F25	40	300											
AT 80-CW	2800	20	80:1	20	F12,F14,F16	60	32.5	25	122	245	207	168	83.5	244	64	55	20"	195
					F25	80	35.5							300				
AT 90-CW	4000	22.5	90:1	22.5	F16,F25	90	60.5	25	133	305	268	197	100	342	78	57	24"	250
AT 80/1/S1-CW	4500	58	264:1	66	F12,F14,F16	60	40	25	122.5	245	232	280	84	244	64	55	20"	195
					F25	80	43							300				
AT 70/3/S1-CW	6000	65	292:1	73	F14,F16	80	45.5	25	113	268	206	278	85	300	62	55	20"	195
F25	49	300																
AT 90/1/S1-CW	8000	70	300:1	75	F16,F25	90	72	25	133	305	268	310	100	340	78	57	24"	250
AT 100/1/S1-CW	10000	70	300:1	75	F25, F30	100	82	25	151	348	263	307	110	377	76	57	24"	250
AT 150/1/S2-CW	15000	100	450:1	112.5	F25, F30	100	92	25	151	348	263	342	110	377	76	57	24"	250
AT 250/2/S2-CW	22500	120	456:1	114	F25, F30, F35	110	145	25	157	424	334	380	133	469	88	57	24"	250
AT 300/1/S3-CW	28000	210	902:1	225.5	F25, F30, F35	150	155	25	157	424	334	422	133	469	88	57	24"	250
AT 350/2/S3-CW	30000	253	1114:1	278.5	F25, F30, F35	150	165	25	157	424	334	422	133	469	88	57	24"	250
AT 450/2/S3-CW	40000	270	1175:1	293.75	F30, F35,F40	150	292	25	200	608	425	466	162	592	100	57	24"	250
AT 500/1/S3-CW	50000	287	1261:1	315.25	F30, F35,F40	150	380	25	203	650	595	550	199	706	104	57	24"	250
AT 600/1/S3,5-CW	60000	340	1545:1	386.25	F30, F35,F40	150	425	25	203	650	595	612	199	706	103	57	24"	250
AT 750/1/S4-CW	75000	400	1826:1	456.5	F40,F48	200	450	25	203	650	595	647	199	706	103	57	24"	250
AT 1000/1/S4-CW	100000	600	2635:1	658.75	F40,F48	200	460	25	203	650	595	647	199	706	103	57	24"	250



SR.	DESCRIPTION	MATERIAL	US Standard	IS Standard
1.	Housing	Ductile Iron	ASTM A536 60-40-18	SG 400/12
2.	Top Cover	Ductile Iron	ASTM A536 60-40-18	SG 400/12
3.	Worm Wheel	Ductile Iron	ASTM A70-50-05	SG 500/7
4.	Input Shaft	Carbon Steel	ASTM A576 10A5	45C8
5.	Worm	Carbon Steel	ASTM A576 10A5	45C8
6.	Spur Housing	Ductile Iron	ASTM A536 60-40-18	SG 400/12
7.	Spur Cover	Ductile Iron	ASTM A536 60-40-18	SG 400/12
8.	Spur Pinion	Carbon Steel	ASTM A322 4110	40C4Mo3
9.	Spur Gear	Carbon Steel	ASTM A322 4110	40C4Mo3
10.	Thrust Bearing	Special Steel	ASTM A295 52100	-
11.	Chain Wheel	Ductile Iron	ASTM A536 60-40-18	SG 400/12
12.	Chain Wheel	Alloy Steel	-	IS 2062
13.	O' Ring	NBR (Buna-N)	NBR (Buna-N)	Nitrile

REF. No:- C04 A137 01
REV. No:- 02

REV NO	MODIFICATION	REV DT
01	CHANWHEEL 20" & 24" MATL CHANGED	5-3-2015
00		18-11-2014