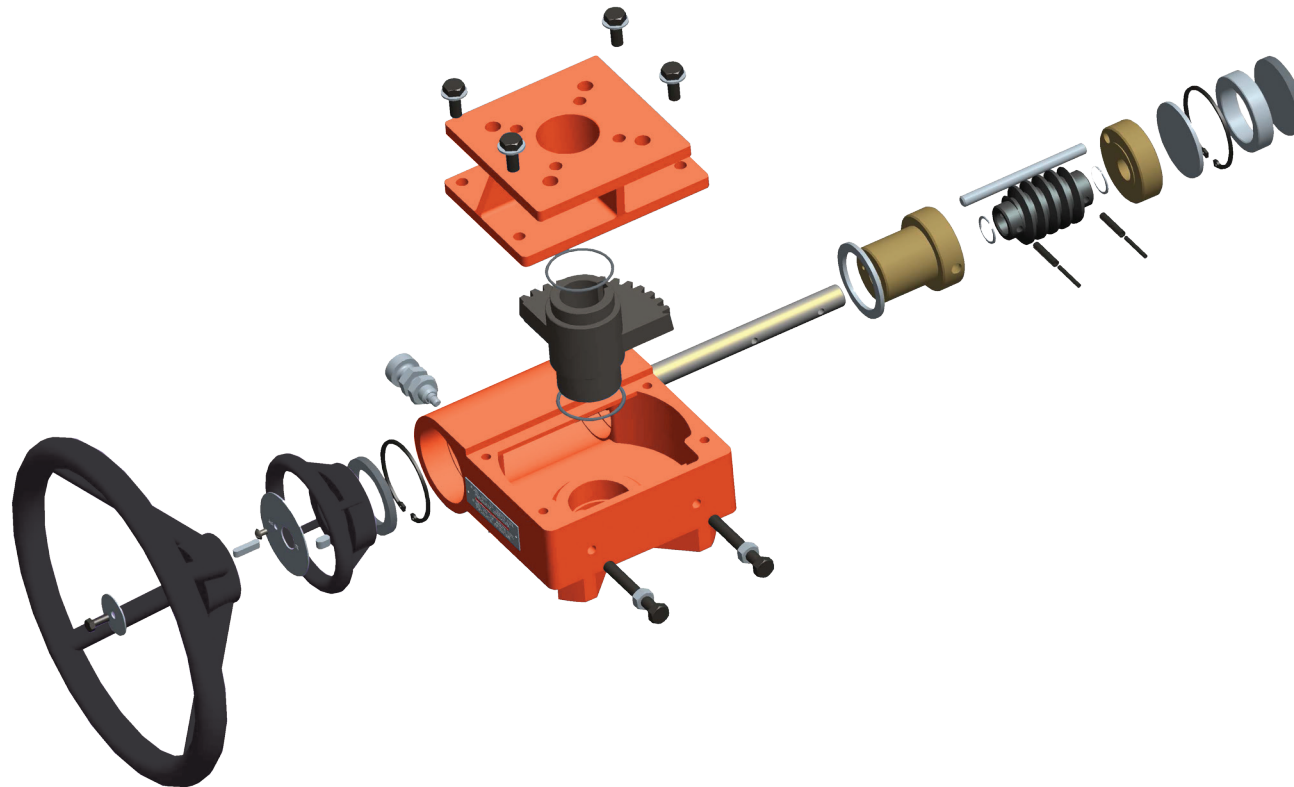


# Bettis MOR Series

## De-clutchable Quarter-turn Manual Overrides for Pneumatic Actuation



# Performance Specifications Bettis MOR Series

## De-clutchable Quarter-turn Manual Overrides for Pneumatic Actuation

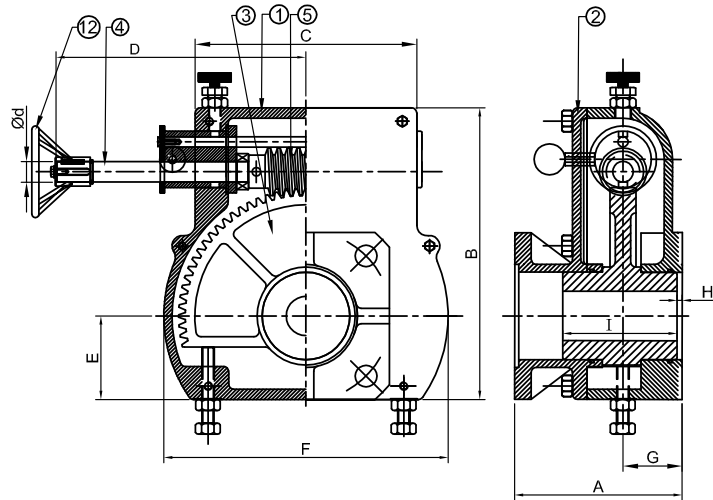


FIG (1)

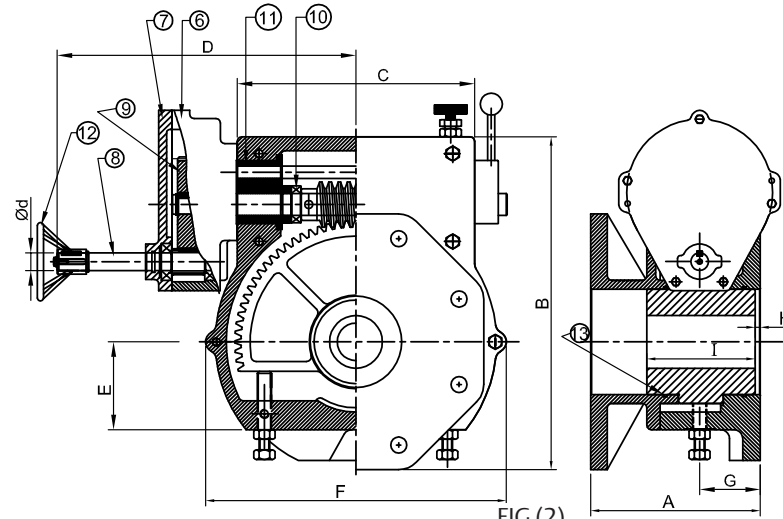
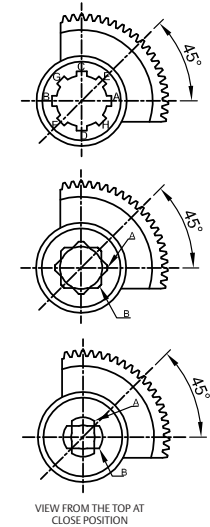


FIG (2)



VIEW FROM THE TOP AT CLOSE POSITION

REFER TO FIGURE (1) FOR MODELS UP TO "MOR 3.5"

REFER TO FIGURE (2) FOR MODELS ABOVE "MOR 3.5"

Model	Rated Output Torque (Nm)	Mech. Advant. ±10%	Ratio	Turns To Close	Valve Mounting ISO 5211	Max. Drive Bore	Approx. Unit Weight (Kg)	Actuator Mtg. Flange ISO 5211	Recommended Handwheel (mm)	A	B	C	D	E	F	G	H	I	Ød
MOR 0.5	250	9	38:1	9.5	F05, F07	25	5	F05, F07	Ø175	83	121	98	126	40	98	28.5	5	48	12
MOR 1	650	9	38:1	9.5	F07, F10, F12	30	9	F07, F10, F12	Ø250	113	181	146	165	64	146	40.5	4.5	75.5	14
MOR 1.5	1000	14.5	60:1	15	F10, F12, F14	40	17	F12, F14	Ø350	145	192	150	190	51	185	51	6	90	16
MOR 2	1500	17	70:1	17.5	F10, F12, F14	50	25	F10, F12, F14	Ø400	150	224	151	230	67	209	44	3	91	16
MOR 2.5	2500	17	80:1	20	F12, F14, F16	60	31	F12, F14, F16	Ø500	162.5	283	215	188	81	276	57.5	9	107	20
MOR 3.5	3500	22	90:1	22.5	F16, F25	80	60	F16	Ø500	185	333	270	265	100	342	69	6	126	20
								F25		193									
MOR 5	5000	50	264:1	66	F16, F25	80	70	F16	Ø600	185	379	270	325	100	342	69	10	136	20
								F25		193									
MOR 7.5	7500	70	348:1	87	F25, F30	100	105	F25, F30	Ø600	227	457	313	348	100	400	76.5	10	174	20
MOR 10	10000	85	405:1	101.25	F25, F30	100	125	F25, F30	Ø750	227	457	313	435	100	400	76.5	10	174	20
MOR 15	15000	95	460:1	115	F25, F30	110	180	F25, F30	Ø750	235	524.5	331	444	132.5	488	88	10	208	20
MOR 35	35000	260	1282:1	320.5	F25, F30, F35	160	317	F30, F35	Ø750	362	594.5	441	532	146	549	119	12	330	20

Sr. No.	Description	Material	USA Standard	IS Standard
1	Housing	Cast Iron	ASTM A48-83 30A	IS 210 FG200
2	Cover	Cast Iron	ASTM A48-83 30A	IS 210 FG200
3	Worm Wheel	Ductile Iron	ASTM A70-50 05	SGI 500/7
4	Input Shaft	Carbon Steel	ASTM A576 1045	45C8
5	Worm	Carbon Steel	ASTM A576 1045	45C8
6	Spur Housing	Cast Iron	ASTM A48-83 30A	IS 210 FG200
7	Spur Cover	Cast Iron	ASTM A48-83 30A	IS 210 FG200
8	Spur Pinion	Carbon Steel	ASTM A322 4140	40Cr4Mo3
9	Spur Gear	Carbon Steel	ASTM A322 4140	40Cr4Mo3
10	Thrust Bearing	Special Steel	ASTM A295 52100	-
11	Eccentric Bush	Ductile Iron	ASTM A65-45 12	SGI 400/12
12	Handwheel (Pipe)	Carbon Steel	ASTM A53	IS 2062 Gr B
13	'O' Ring	Buna n	-	Nitrile

**World Area Configuration Centers (WACC) offer sales support, service, inventory and commissioning to our global customers. Choose the WACC or sales office nearest you:**

***NORTH & SOUTH AMERICA***

19200 Northwest Freeway  
Houston, TX 77065  
T +1 281 477 4100  
F +1 281 477 2809

Av. Hollingsworth,  
325, Iporanga Sorocaba,  
SP 18087-105  
Brazil  
T +55 15 3238 3788  
F +55 15 3228 3300

***ASIA PACIFIC***

No. 9 Gul Road  
#01-02 Singapore 629361  
T +65 6501 4600  
F +65 6268 0028

No.1 Lai Yuan Road  
Wuqing Development Area  
Tianjin 301700  
P.R.China  
T +86 22 8212 3300  
F +86 22 8212 3308

***MIDDLE EAST & AFRICA***

P. O. Box 17033  
Dubai  
United Arab Emirates  
T +971 4 811 8100  
F +971 4 886 5465

P. O. Box 10305  
Jubail 31961  
Saudi Arabia  
T +966 3 340 8650  
F +966 3 340 8790

24 Angus Crescent  
Longmeadow Business Estate  
East P.O. Box 6908; Greenstone;  
1616 Modderfontein, Extension 5  
South Africa  
T +27 11 451 3700  
F +27 11 451 3800

***EUROPE***

Berenyi u. 72- 100  
Videoton Industry Park,  
Building #230  
Székesfehérvár 8000  
Hungary  
T +36 22 530 950  
F +36 22 543 700

For complete list of sales and manufacturing sites, please visit  
[www.emerson.com/actuationtechnologieslocations](http://www.emerson.com/actuationtechnologieslocations)  
Or contact us at [gears@emerson.com](mailto:gears@emerson.com)

[www.emerson.com/bettis](http://www.emerson.com/bettis)

©2016 Emerson. All rights reserved.

The Emerson logo is a trademark and service mark of Emerson Electric Co. Bettis is a mark of one of the Emerson family of companies. All other marks are property of their respective owners.

The contents of this publication are presented for information purposes only, and while every effort has been made to ensure their accuracy, they are not to be construed as warranties or guarantees, express or implied, regarding the products or services described herein or their use or applicability. All sales are governed by our terms and conditions, which are available on request. We reserve the right to modify or improve the designs or specifications of our products at any time without notice.

**BETTIS™**

  
**EMERSON™**