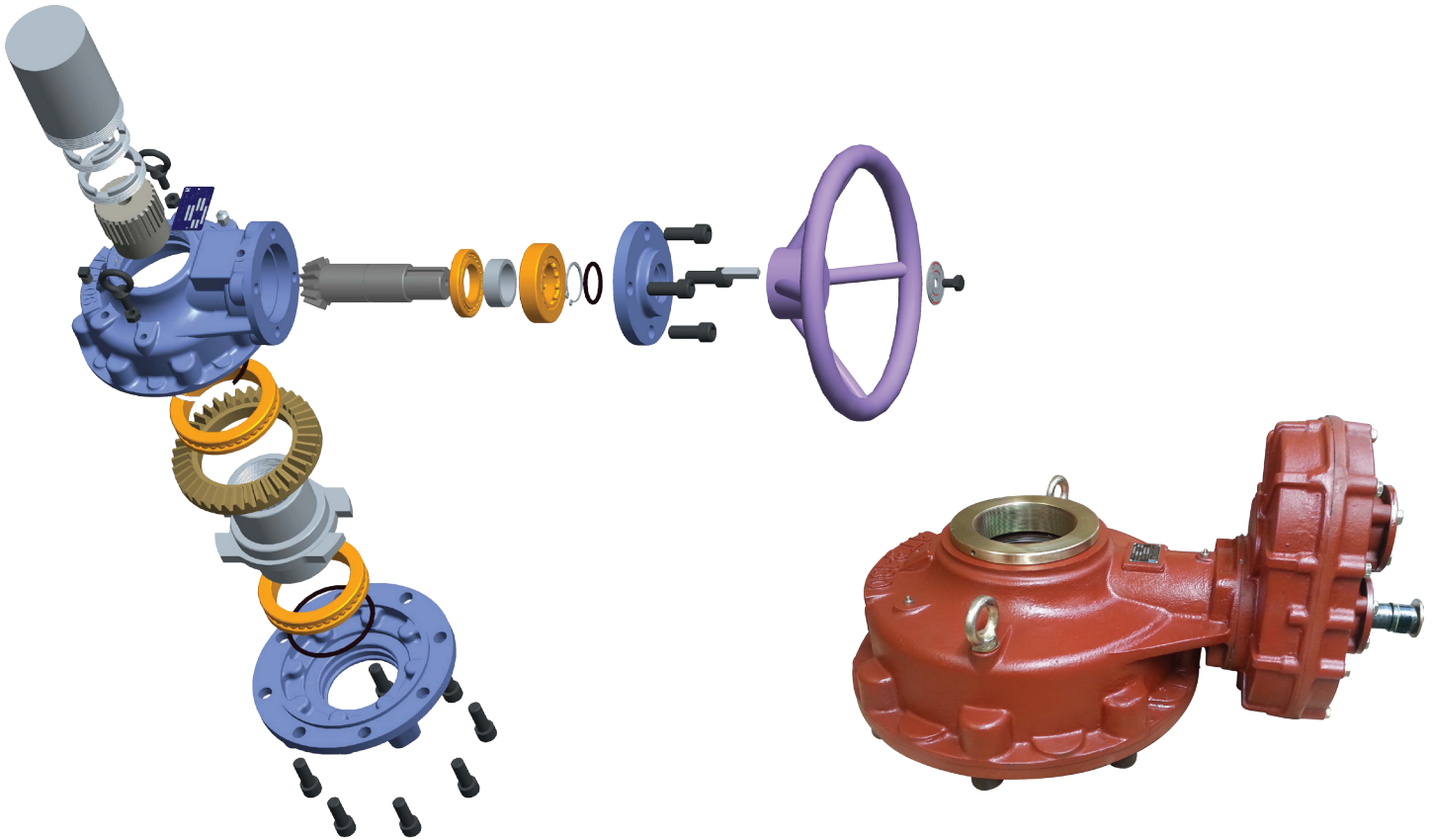


Multi-turn Bevel Gear Operators for Manual Operation and Electrical Actuation

ATB Series (B-Type, Non Thrust)



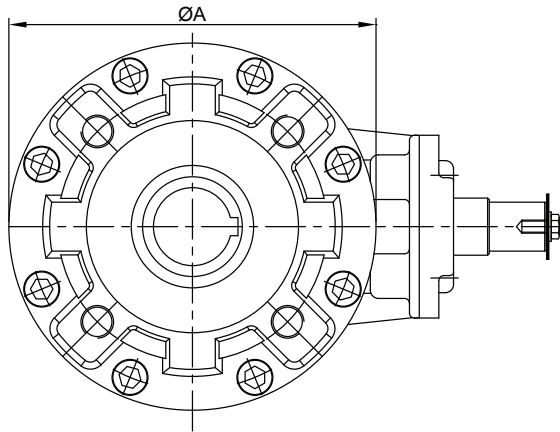
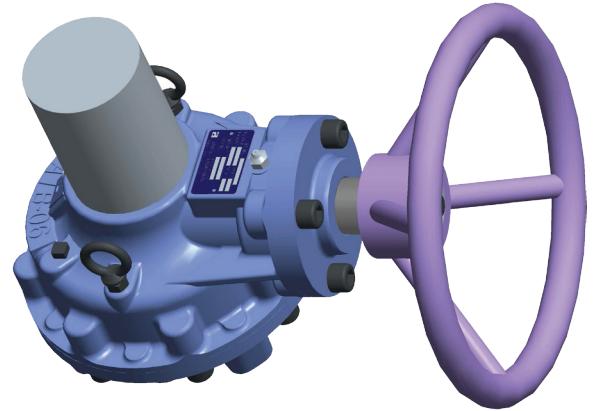
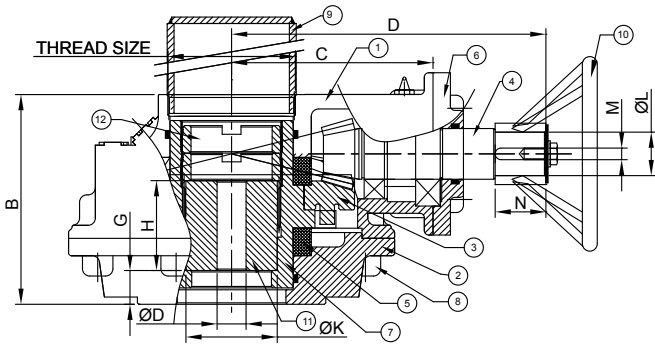
Description

- Robust and compact design with aesthetically pleasing look
- Widely used on valves for oil and gas, chemical, power, waterworks, sewage, etc.
- 12 models up to a torque of 18,000 Nm and F-48 mounting base
- Grease filled for life
- Unique top entry replaceable stem nut in aluminum bronze material for corrosion and wear resistance
- Fully sealed gearbox and completely enclosed gearing
- IP-67 standard enclosure
- Ductile iron casing for higher strength and alloy steel pinions
- High performance roller bearings at input and thrust bearings on output
- Epoxy primer coating is standard
- Powder coated handwheels for smooth and easy operation
- Removable adaptor option available for easy stocking of gears
- Additional spur and bevel configurations available to reduce rim pull / input effort and also for 'top operating' requirement

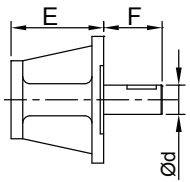
Features

- Housing material options (carbon steel / stainless steel)
- Pinions, fasteners and hand wheel material option available in stainless steel
- Bevel gear material option available in aluminum bronze
- High temperature variant up to +200°C (+392°F) & low temperature variant up to -52°C (-61.6°F) available
- Marine application (all exposed shafts and fasteners in stainless steel)
- Finish painting available on request
- Padlock arrangement option available
- Input flange with various mountings as per ISO 5211 available for electric actuation
- Extension shaft for buried service available
- Auxiliary spur / bevel input reducers available in single reduction / double reduction options
- Twin shaft versions available on bevel gearboxes with single reduction and double reduction auxiliary spur reducers
- Dual Input (90°) / multiple input option available on all models
- Chain wheel operation
- Top operating option available
- Lost motion option available (hammer blow)

Multi-turn Bevel Gear Operators for Manual Operation and Electrical Actuation



Electrical Actuation Flange Mounting For All Models



Actuator Mounting ISO 5211	Ød
F10	25
F14	30
F16	35

Flange Drill As Per ISO 5211 Keyway As Per IS 2048

Sr No.	Description	Material	US Standard	IS Standard
1	Housing	Ductile Iron	ASTM A536 65-45-12	SGI 400/12
2	Base Plate	Ductile Iron	ASTM A536 65-45-12	SGI 400/12
3	Bevel Gear	Carbon Steel	ATSM A322 4140	40CrMo3
4	Bevel Pinion	Carbon Steel	ATSM A322 4140	40CrMo3
5	Spacer	Carbon Steel	ASTM A576 1045	45C8
6	Flange Cap	Ductile Iron	ASTM A536 65-45-12	SGI 400/12
7	Adaptor Sleeve	Ductile Iron	ASTM A536 70-50-05	SGI 500/7
8	Hardware	Carbon Steel	-	10.9 Gr or Equivalent
9	Stem Protector	Carbon Steel	ASTM A53	IS 2062 Gr B
10	Handwheel (Pipe)	Carbon Steel	ASTM A53	IS 2062 Gr B
11	Adaptor	Bronze	B148 C95800	-
12	Lock Nut	Carbon Steel	ASTM A576 1045	45C8

Model	Ratio	Rated Output Torque (Nm)	Mech. Advant.	Input Torque (Nm)	Valve Mtg. Flange ISO 5211	Opt. Mtg. Flange ISO	Max. Stem (Ø)	A	B	C	D	E	F	G	H	ØK	ØL	M	N	Recom. Hand-wheel	App. Wgt. (Kg)	Thread Size
ATB-01B	1:1	150	0.9	166	F07/F10	--	20	135	105	88	172	66	58	9	40	33	Ø25	8	35	Ø300	10	1 3/4"X11TPI BSP
ATB-02B	2.5:1	250	2.25	111	F10/F12	--	25	150	110	100	185	66	58	17.5	43	37.5	Ø25	8	35	Ø300	12	2"X11TPI BSP
ATB-03B	3:1	400	2.7	148	F10/F12	F14	30	169	113	110	201	66	58	16.5	48	45.5	Ø30	8	35	Ø400	13	2"X11TPI BSP
ATB-06B	3.25:1	600	2.92	205	F12/F14	F16	35	193	122	108	187	66	58	16.5	56	53	Ø30	8	35	Ø500	15	2.5"X11TPI BSP
ATB-11B	4:1	1100	3.6	305	F14/F16	--	42	228	145	141	217	66	58	23.5	62	63	Ø30	8	35	Ø600	24	3"X11TPI BSP
ATB-16B	4.5:1	1600	4.05	395	F16/F20	F25	60	275	168	166	254	66	58	29	77.5	87.5	Ø30	8	35	Ø600	34	3.5"X11TPI BSP
ATB-23B	5:1	2500	4.5	556	F20/F25	F30	70	335	174	193	281	66	58	26	83.5	93.5	Ø30	8	35	Ø600	50	4"X11TPI BSP
ATB-38B	5.5:1	3800	4.95	768	F25/F30	F35	75	376	202	220	323	66	58	35.5	100	101	Ø38	10	35	Ø600	84	5"X11TPI BSP
ATB-55B	6:1	5500	5.4	1018	F30/F35	F40	110	432	235	246	352	70	60	48.5	105	125	Ø38	10	35	Ø750	155	5"X11TPI BSP
ATB-85B	6.5:1	8500	5.85	1452	F35/F40	--	120	490	259	267	372	70	60	55.5	110	141	Ø38	10	35	Ø750	185	6"X11TPI BSP
ATB-130B	7:1	13000	6.3	2063	F35/F40	--	130	590	290	340	468	70	60	47.5	141.5	177.5	Ø50	14	50	Ø750	280	M218X3P
ATB-180B	8:1	18000	7.2	2500	F40	F48	145	680	323	390	512	70	60	49.5	150	197.5	Ø50	14	50	Ø750	360	M218X3P

Contact us at Gears@Emerson.com