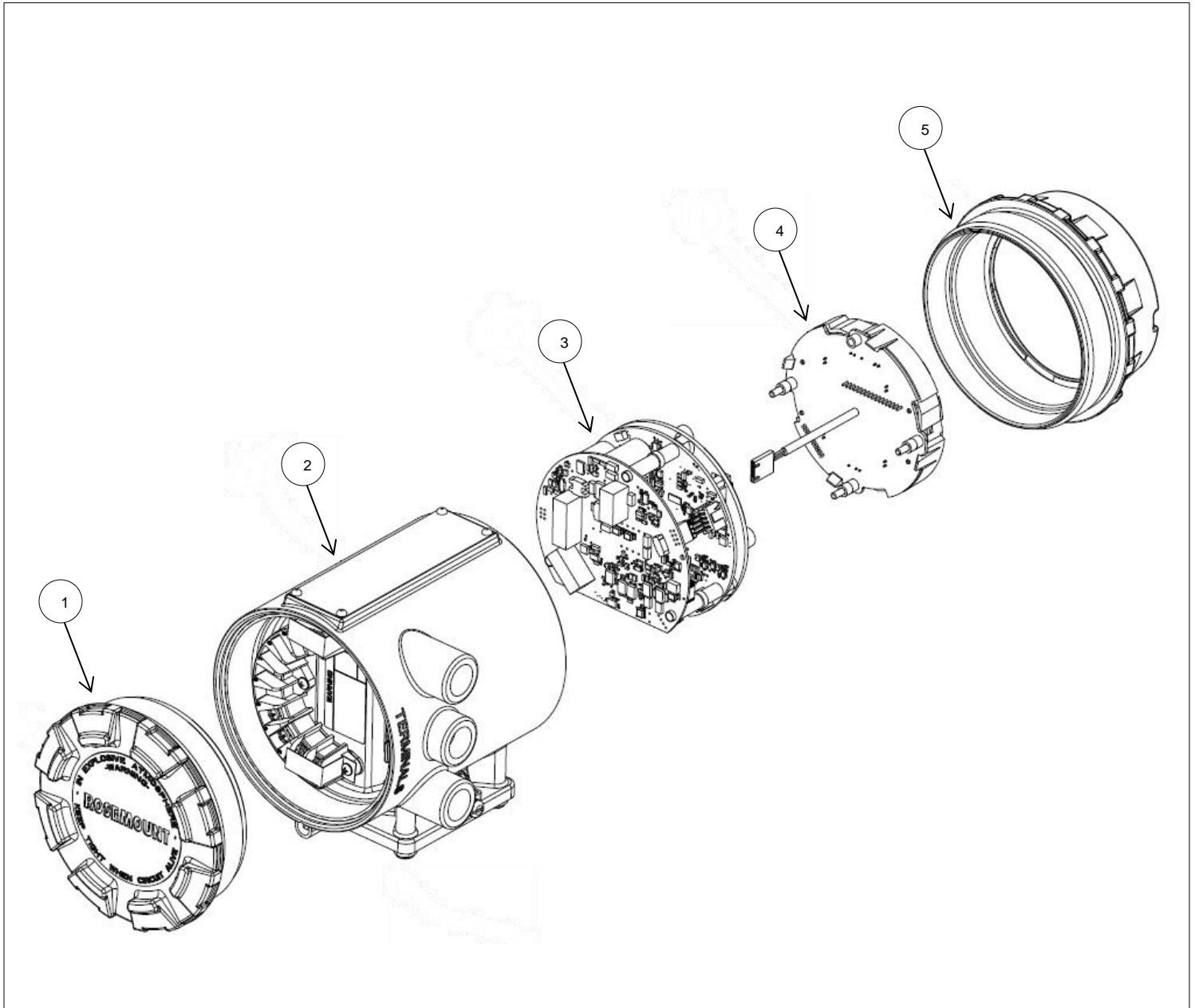
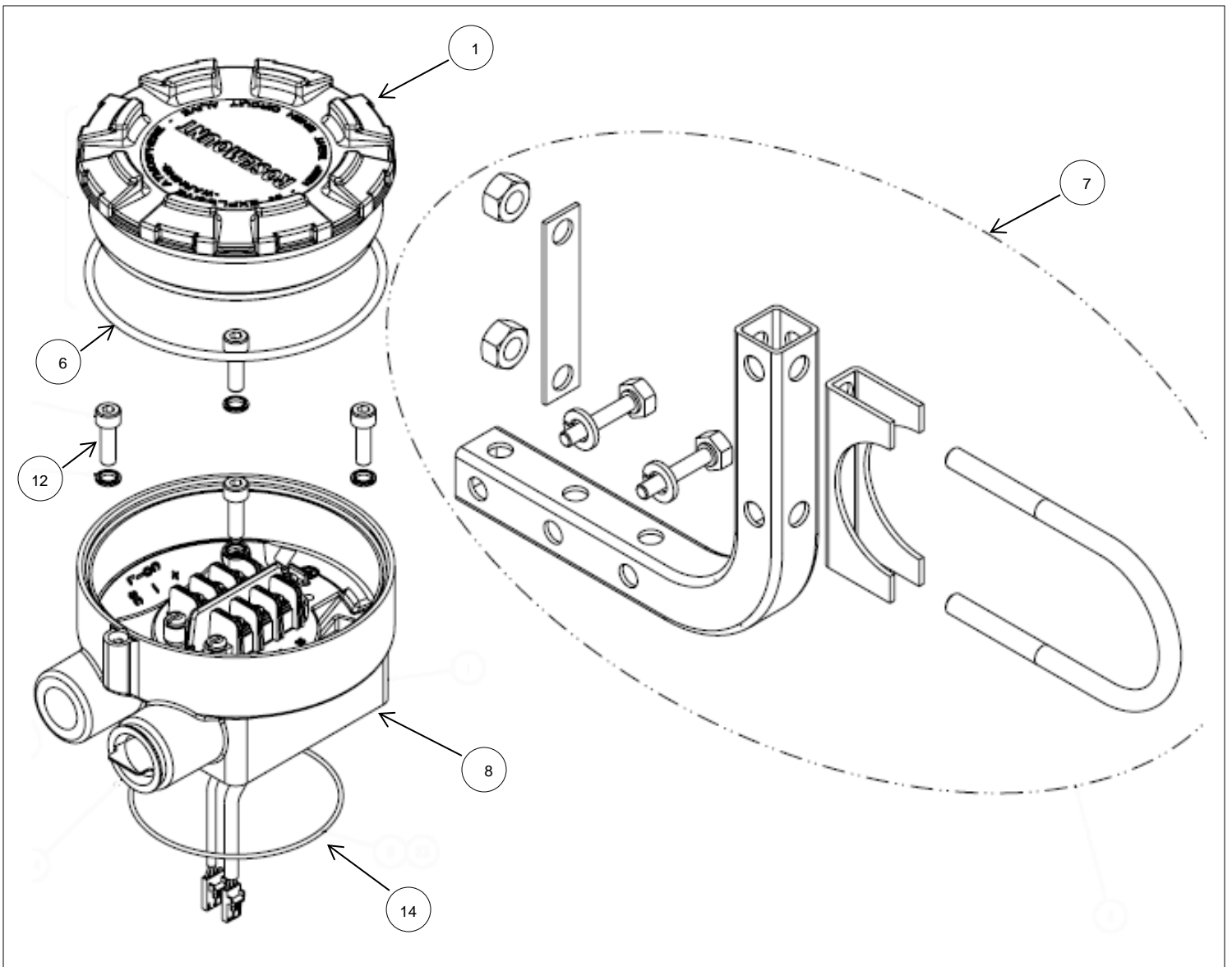


Rosemount 8732EM with Revision 4 Electronics Magnetic Flowmeter Spare Parts List

Model 8732EM Revision 4 Transmitter Spare Parts



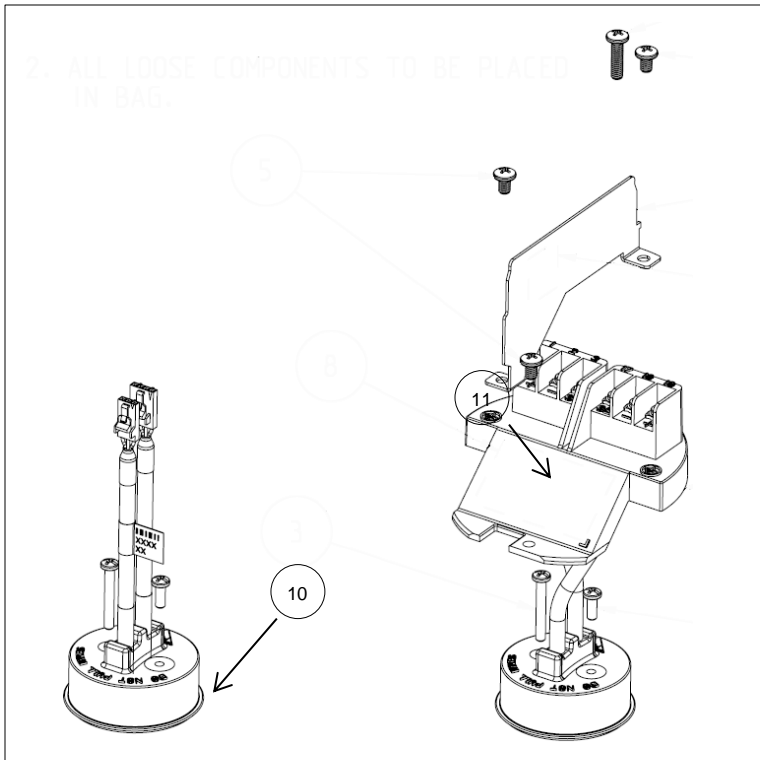
Item No.	Part Description	Model Option (In Bold)	Part Number
3	8732EM Revision 4 Electronics Kit (Includes mounting hardware) Eletronics Kit, AC, 4-20 mA / HART, No Diagnostics Eletronics Kit, AC, 4-20 mA / HART, Process Diagnostics and SMV Eletronics Kit, AC, Intrinsically Safe (IS) 4-20 mA / HART, No Diagnostics Eletronics Kit, AC, IS 4-20 mA / HART, Process Diagnostics + SMV Eletronics Kit, DC, 4-20 mA / HART, No Diagnostics Eletronics Kit, DC, 4-20 mA / HART, Process Diagnostics and SMV Eletronics Kit, DC, Intrinsically Safe (IS) 4-20 mA / HART, No Diagnostics Eletronics Kit, DC, IS 4-20 mA / HART, Process Diagnostics + SMV	8732EMx1A 8732EMx1A DA1DA2 8732EMx1B 8732EMx1B DA1DA2 8732EMx2A 8732EMx2A DA1DA2 8732EMx2B 8732EMx2B DA1DA2	08732-CELC-0001 08732-CELC-0031 08732-CELC-0101 08732-CELC-0131 08732-CELC-1001 08732-CELC-1031 08732-CELC-1101 08732-CELC-1131
2	8732EM Revision 4 Transmitter Housing Assembly with Terminal Block (Includes mounting hardware) Aluminum, (2) 1/2-in NPT Conduit Openings, 6-Pin Terminal Block, Ordinary Locations Aluminum, (2) 1/2-in NPT Conduit Openings, 6-Pin Terminal Block, Haz Loc Approved Aluminum, (2) 1/2-in NPT Conduit Openings, 6-Pin IS Terminal Block, Ordinary Locations Aluminum, (2) 1/2-in NPT Conduit Openings, 6-Pin IS Terminal Block, Haz Loc Approved Aluminum, (3) 1/2-in NPT Conduit Openings, 6-Pin Terminal Block, Ordinary Locations Aluminum, (3) 1/2-in NPT Conduit Openings, 6-Pin Terminal Block, Haz Loc Approved Aluminum, (3) 1/2-in NPT Conduit Openings, 6-Pin IS Terminal Block, Ordinary Locations Aluminum, (3) 1/2-in NPT Conduit Openings, 6-Pin IS Terminal Block, Haz Loc Approved Aluminum, (3) 1/2-in NPT Conduit Openings, 10-Pin Terminal Block, Ordinary Locations Aluminum, (3) 1/2-in NPT Conduit Openings, 10-Pin Terminal Block, Haz Loc Approved Aluminum, (3) 1/2-in NPT Conduit Openings, 10-Pin IS Terminal Block, Ordinary Locations Aluminum, (3) 1/2-in NPT Conduit Openings, 10-Pin IS Terminal Block, Haz Loc Approved	8732EMxxA1 8732EMxxA1(NxKx) 8732EMxxB1 8732EMxxB1(NxKx) 8732EMxxA 8732EMxxA(NxKx) 8732EMxxB 8732EMxxB(NxKx) 8732EMxxA... AX 8732EMxxA(NxKx)... AX 8732EMxxB... AX 8732EMxxB(NxKx)... AX	08732-CHSG-1000 08732-CHSG-1001 08732-CHSG-1010 08732-CHSG-1011 08732-CHSG-1100 08732-CHSG-1101 08732-CHSG-1110 08732-CHSG-1111 08732-CHSG-1120 08732-CHSG-1121 08732-CHSG-1130 08732-CHSG-1131
4,5	8732EM Revision 4 Display / LOI kits Local Operator Interface only, No Cover Local Operator Interface, Aluminum Cover with Glass Window Display Only, No Cover Display, Aluminum Cover with Glass Window	8732EMxxxM4 8732EMxxxM4 8732EMxxxM5 8732EMxxxM5	08732-CLOI-1000 08732-CLOI-1110 08732-CLOI-2000 08732-CLOI-2110
	8732EM Revision 4 Cover Kits		
1	Aluminum blind cover for 8732EM Xmtr Housing	8732EMxxx	08732-CCVR-1000
5	Aluminum LOI cover with Glass Window	8732EMxxxM4 / M5	08732-CCVR-1100
	Miscellaneous 8732EM Transmitter Spare Parts		
6	Replacement Buna-N O-Rings for LOI / Display / Blind Cover, Pkg of 5	8732EMxxx	08732-CORG-1000
	Replacement Terminal Block Screws, Lugs, and Eyelet Clips, Pkg of 25	8732EMxxx	08732-CLIP-1000
7	(304) SST Remote Mount Bracket Kit for 8732E Remote Mount Transmitters	8732EMRxxxx	08742-0101-0001
7	(316) SST Remote Mount Kit for 8732E Remote Mount Transmitters	8732EMRxxxx B6	08742-0101-0002



Model 8732EM Revision 4 Transmitter Diagnostic Field Licensing Codes

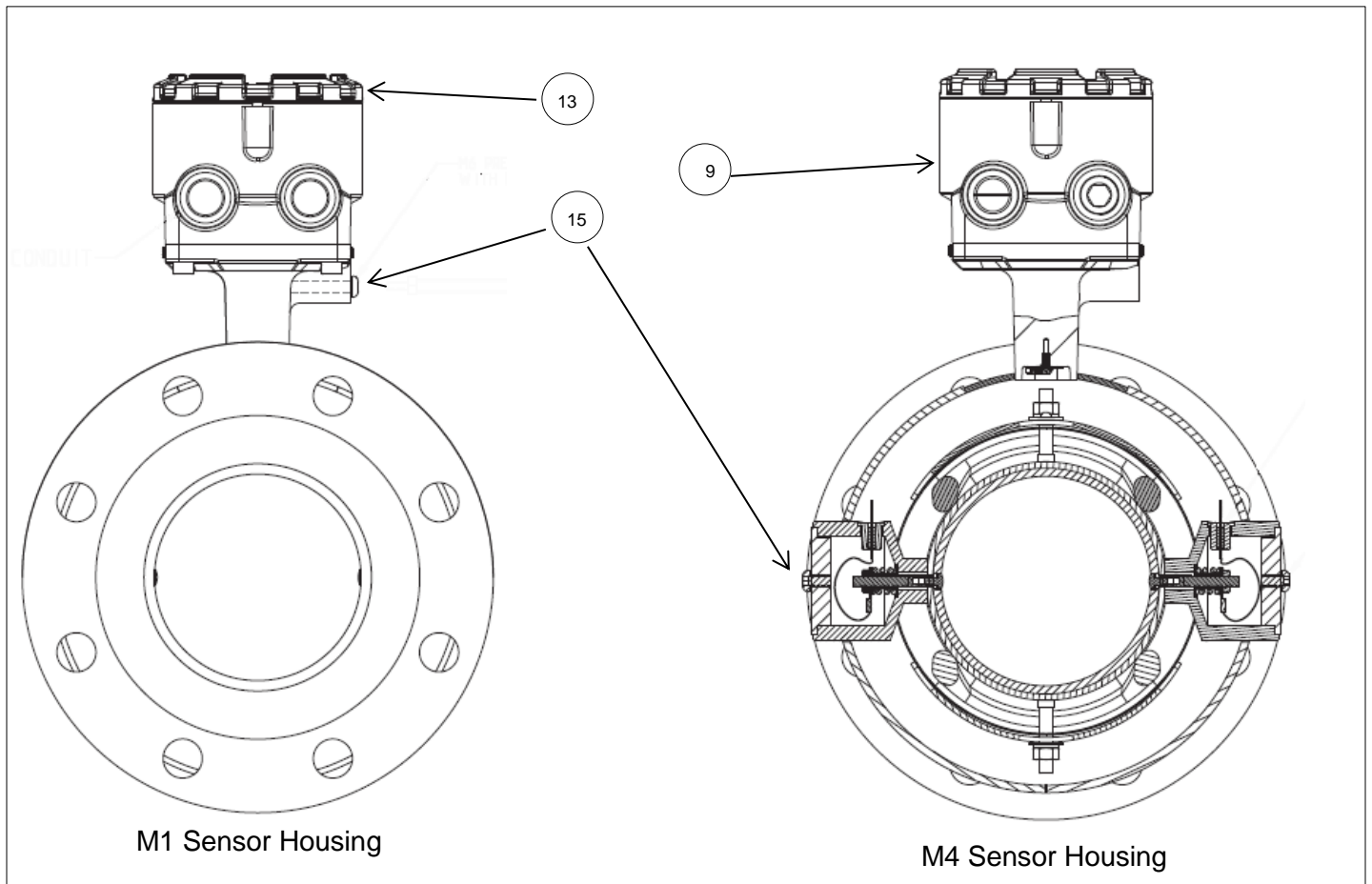
Item No.	Part Description	Part Number
	Advanced Diagnostic Field License Codes for the 8712E or 8732E Process Diagnostics for HART (DA1) SMART Meter Verification for HART (DA2) Process Diagnostics AND SMART Meter Verification for HART (DA1DA2)	08732-9002-0001 08732-9002-0010 08732-9002-0011

Model 8732EM Revision 4 Transmitter Mounting Spare Parts



Item No.	Part Description	Model Option (In Bold)	Part Number
8	8732EM Revision 4 Remote Mounting Kits Transmitter Aluminum Remote Junction Box (RJB) for Ordinary Locations Transmitter Aluminum RJB for Hazardous Locations for Non-IS Electrode Installations Transmitter Aluminum RJB for Hazardous Locations requiring IS Electrode Installation	8732EMRxxx 8732EMRxxx(Nx/Kx) 8732EMRxxx(Nx/Kx)	08732-CRJB-2000 08732-CRJB-2001 08732-CRJB-2002
9	8705-M Remote Mounting Kits Sensor Aluminum Remote Junction Box for Ordinary Locations Sensor Aluminum Remote Junction Box for Hazardous Locations Sensor Aluminum Remote Junction Box for FM Class 1 Division I installations	8705xxxxxxxxMx 8705xxxxxxxxMx(Nx/Kx) 8705xxxxxxxxMxK5	08732-CRJB-1000 08732-CRJB-1002 08732-CRJB-1003
9	8711-M/L Remote Mounting Kits Sensor Aluminum Remote Junction Box for Ordinary Locations Sensor Aluminum Remote Junction Box for Hazardous Locations Sensor Aluminum Remote Junction Box for FM Class 1 Division I installations	8711xxxxxM/Lx 8711xxxxxM/Lx(Nx/Kx) 8711xxxxxM/LxK5	08732-CRJB-1000 08732-CRJB-1002 08732-CRJB-1003
8 & 9	8732EM Revision 4 Complete Integral to Remote Conversion Kits Transmitter and Sensor Aluminum Remote Junction Box (RJB) for Ordinary Locations Transmitter and Sensor Aluminum RJB for Hazardous Locations for Non-IS Electrode Installations Transmitter and Sensor Aluminum RJB for Hazardous Locations requiring IS Electrode Installation		08732-CRJB-3000 08732-CRJB-3001 08732-CRJB-3002
	8732EM Revision 4 Socket Modules Socket Module for Integral Mount Systems	8732EMTxxx	08732-CSKT-0001
10			
11	Socket Module with Terminal Block for Remote Mount Sensors	8732EMRxxx	08732-CSKT-0002
	Bolt Kit for mounting an 8732E or Remote Junction Box to the Sensor		
12	Contains 4 A2-70 (304 SS) cap screw bolts Contains 4 A4-70 (316 SS) cap screw bolts		08732-0021-0001 08732-0021-0002

Model 8705-M and 8711-M/L Sensor Spare Parts



Item No.	Part Description	Part Number
	Grounding Strap Kits	
	Grounding Strap Kit for 8711, Qty 2, 12-in Length, Includes Mounting Hardware	08732-CKGS-1000
	Grounding Strap Kit for 8705, Qty 2, 18-in Length, Includes Mounting Hardware	08732-CKGS-2000
13	Sensor Cover Kits	
	Aluminum Sensor Remote Junction Box Cover	08732-CCVR-1300
	SST Sensor Remote Junction Box Cover	08732-CCVR-2300
	Sensor O-Ring Kits	
	Replacement Buna-N O-Rings for Remote Junction Box Cover, Pkg of 5	08732-CORG-2000
14	Replacement Buna-N O-Rings for Sensor Tube Adapter, Pkg of 5	08732-CORG-3000
	Miscellaneous Sensor Spare Parts	
15	Replacement M6 Screws for 8705 with M1, M3, or M4 Housings, Pkg of 10	08732-CVNT-1000
15	M6 x 1/8-in NPT Adapter and Pressure Relief Valve for use with 8705 sensors with M1, M3, or M4 Housings	08732-CVNT-2000