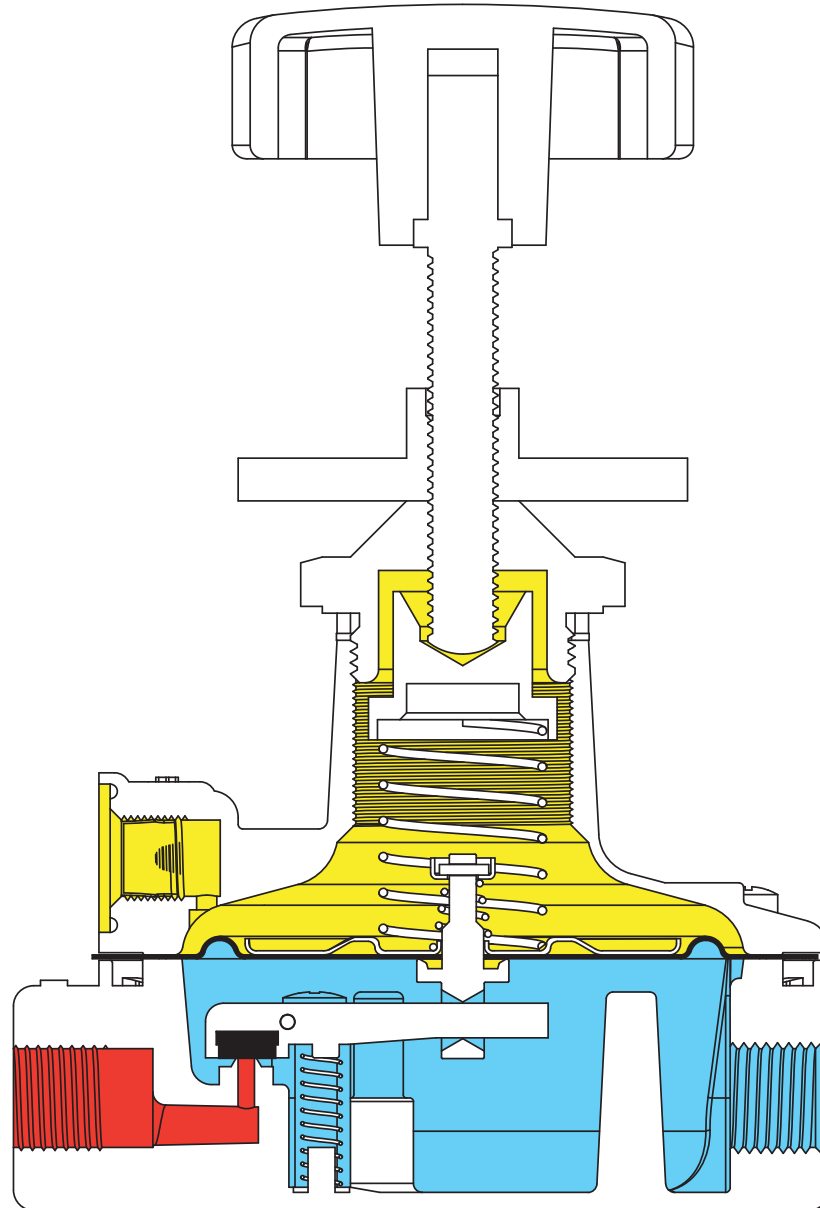


Type 912N



■ INLET PRESSURE
■ OUTLET PRESSURE
■ ATMOSPHERIC PRESSURE

