

June 2008

Type 98HH Backpressure and Relief Valves



W2592-1

Figure 1. Type 98HH Relief Valve



WARNING

Fisher® relief valves must be installed, operated, and maintained in accordance with federal, state, and local codes, rules and regulations, and Fisher instructions.

If the spring case develops a leak or if the outlet continually vents gas, service to the unit may be required. Failure to correct trouble could result in a hazardous condition. Only a qualified person must install or service the unit.

Introduction

Type 98HH (see Figure 1) valve provides relief or differential relief in liquid, gas, air, and steam service applications. Outlet pressure settings range from 150 to 375 psig (10,3 to 25,9 bar). Bodies are available in 1/4, 1/2, 3/4, and 1-inch (DN 15, 20, and 25) sizes.

Specifications

Specifications for the Type 98HH are given on page 2.



Type 98HH

Specifications

Available Constructions

Self-operated with standard adjusting screw.

End Connection Style

NPT, socket weld, or ANSI flanged-14-inches face-to-face (DIN flanged-356 mm face-to-face)

Body Sizes

1/4, 1/2, 3/4, and 1-inch
(DN 15, 20, and 25)

Maximum Inlet Pressures, Psig (bar)^(1,5) (Set Pressure Plus Build up)

TYPE NUMBER	STEEL (WCC) OR STAINLESS STEEL SPRING CASE ALL TRIMS TO 150°F ⁽²⁾ (66°C)	CAST IRON SPRING CASE		
		All Trims to 150°F ⁽³⁾ (66°C)	Metal Trims ⁽⁴⁾	
			To 315°F (157°C)	To 406°F (208°C)
98HH	400 (27,6)	400 (27,6)	300 (20,7)	250 (17,2)

Relief Pressure Range

150 to 375 psig (10,3 to 25,9 bar)

Allowable Temperature Ranges⁽⁵⁾

Nitrile (NBR) Parts: -20° to 200°F (-29 to 93°C)

Neoprene (CR) Parts: -40° to 150°F (-40 to 66°C)

Fluorocarbon (FKM) Parts:

0° to 300°F (-18° to 149°C)

Metal Diaphragm and Seat

Cast Iron Body and Spring Case:

-40° to 406°F (-40° to 208°C)

Steel Body and Spring Case:

-20° to 450°F (-29° to 232°C)

Stainless Steel Body and Spring Case:

-40° to 450°F (-40° to 232°C)

Approximate Weights, Pounds (kg)

1/4-inch Body: 8 (3,63)

1/2-inch (DN 15) Body: 8 (3,63)

3/4-inch (DN 20) Body: 20 (9,07)

1-inch (DN 25) Body: 20 (9,07)

1. Relief pressure setting plus maximum allowable buildup over setting.
2. Or fluorocarbon trims to 300°F (149°C) or metal trims to 450°F (232°C).
3. Or fluorocarbon trims to 300°F (149°C).
4. Interpolate for intermediate pressure ratings.
5. The pressure/temperature limits in this manual and any applicable standard limitation should not be exceeded.

Principle of Operation

See Figure 2. Type 98HH relief and backpressure valves relieves excessive pressures upstream of the main regulator. If the upstream pressure rises above the setting of the relief valve, pressure on the underside of the diaphragm overcomes the spring compression. The valve plug moves away from the orifice and allows the excess pressure to escape. When the upstream pressure returns to normal, the plug resumes a closed position.

Installation

Unbox and inspect the valve. Remove pipe scale and other foreign material from the connecting pipeline. Apply a suitable pipe compound to the male threads. The relief valve can be installed in any position as long as the flow is in the direction indicated by the arrow cast on the body. The design of the valve isolates the diaphragm and pressure response chamber from the main flow stream. High pressure is measured inside the body through a registration hole on the inlet side of the body. If loading pressure is required, connect the loading pressure line to the NPT connection in the

spring case. This connection is 1/8-inch NPT for 1/4-inch bodies, 1/4-inch NPT for 1/2-inch (DN 15) bodies. If loading pressure is not required, this connection should be vented to atmosphere.

Maximum operating temperatures for the Type 98HH relief valves are as follows:

Elastomer diaphragm or seat: 150°F (66°C)
Metal diaphragm or seat: 406°F (208°C) with a cast iron body and spring case or 450°F (232°C) with a steel or stainless steel body and spring case.

Vents



WARNING

If the process fluid is hazardous, install remote vent lines to carry fluid to a safe area.

If remote venting is necessary, install a remote vent line in the spring case and outlet connections of Type 98HH relief valve. The vent lines must have the largest practical diameter and be as short as possible with a minimum number of bends or elbows.

Overpressure



WARNING

Overpressuring any portion of this equipment may cause equipment damage, leaks in the relief valve, or personal injury due to bursting of pressure-containing parts. The system should be inspected after any overpressure condition.

Relief pressure settings range from 150 to 375 psig (10,3 to 25,9 bar).

Adjustment

Each unit is factory set for the pressure setting specified on the order. If adjustment is necessary, use a pressure gauge to monitor the pressure. Turn the adjusting screw (key 15) clockwise to increase the pressure or differential pressure setting. To decrease the setting, turn the adjusting screw counterclockwise.

Maintenance



WARNING

To avoid personal injury and equipment damage, isolate the valve from all pressure. Cautiously release pressure from the relief valve before attempting disassembly.

Due to normal wear and damage that may occur from external sources, relief valve parts such as the O-rings, gaskets, diaphragm, orifice, and valve plug should be inspected periodically and replaced as necessary. The frequency of inspection and replacement depends upon the severity of service conditions or the requirements of state and federal laws.

Instructions are given below for disassembly of the Type 98HH relief and backpressure valves. These valves do not have to be removed from the pipeline to inspect internal parts. Suitable lubricants are indicated on the assembly drawings. Apply the lubricants as the relief valve is being reassembled. Refer to Figure 3 while servicing the relief valve.

Disassembly to Replace Diaphragm and Seats

If the relief valve is leaking, the diaphragm may be ruptured or the seating surfaces nicked or scratched. Proceed as follows to replace or repair the diaphragm, orifice, and valve plug.

1. Release all spring compression from the diaphragm by turning the adjusting screw (key 15) counterclockwise.
2. Remove cap screws (key 16) and lift off the spring case (key 2), spring (key 11), upper spring seat (key 9) and diaphragm assembly. (The diaphragm assembly includes the locknut, key 26; pusher post, key 6; lock washer, key 23; lower spring seat, key 8; diaphragm, key 12; gasket, key 10; washer, key 7).

Note

There are two diaphragms if the diaphragm material is metal or fluorocarbon.

3. Check the orifice (key 3). If it needs replacing or repairing, unscrew the valve plug guide (key 5) and then the orifice. The valve plug can be removed by sliding it off of the pusher post.

Note

If damage to elastomer or metal seating surfaces is severe, replace the orifice and valve plug O-ring with new parts. However, by following the lapping procedure below, it is possible to repair metal seating surfaces if they are only slightly worn or scratched.

Type 98HH

4. Lapping procedure:
 - a. Place a small amount of 500-grit silicon carbide or aluminum oxide lapping compound on a flat surface such as a piece of heavy plate glass.
 - b. Take the valve plug or orifice and move it in a Figure 8 motion on the lapping compound. Do not allow the part to tip or rock since this would round the corners.
 - c. Repeat step b for each part, using an 800-grit or 1000-grit silicon carbide or aluminum oxide lapping compound.
 - d. Wash away all traces of the lapping compound. To help prevent scratching the seating surfaces, a light coat of oil may be applied before returning the valve plug and the ring to the body.
 5. Return the orifice and valve plug guide to the body.
 6. To replace the valve plug O-ring (key 22), remove the screw (key 24) and O-ring retainer (key 21) from the plug. Remove and replace the spring O-ring.
 7. Remove the locknut from the pusher post in order to separate the parts of the diaphragm assembly. Inspect, and replace if necessary, the diaphragm, diaphragm gasket (key 19), and pusher post gaskets (key 10).
- Note**
- These valve have either a metal or elastomer diaphragm. If a metal diaphragm is to be replaced with an elastomer diaphragm or an elastomer diaphragm with a metal diaphragm, a new pusher post is required.**
8. Slip the plug back onto the pusher post and return the rest of the diaphragm assembly parts to the pusher post in the following order: gasket, diaphragm, O-ring, lower spring seat, and washer. Screw on the locknut.
 9. Place the diaphragm gasket on the body and put the diaphragm assembly into position in the body.
 10. Set the spring and upper spring seat over the lower spring seat. Place the upper casing on the body, tightening the cap screws finger-tight only.
 11. To ensure proper slack in the diaphragm, apply some spring compression by turning the adjusting screw clockwise. Tighten the cap screws.

Parts Ordering

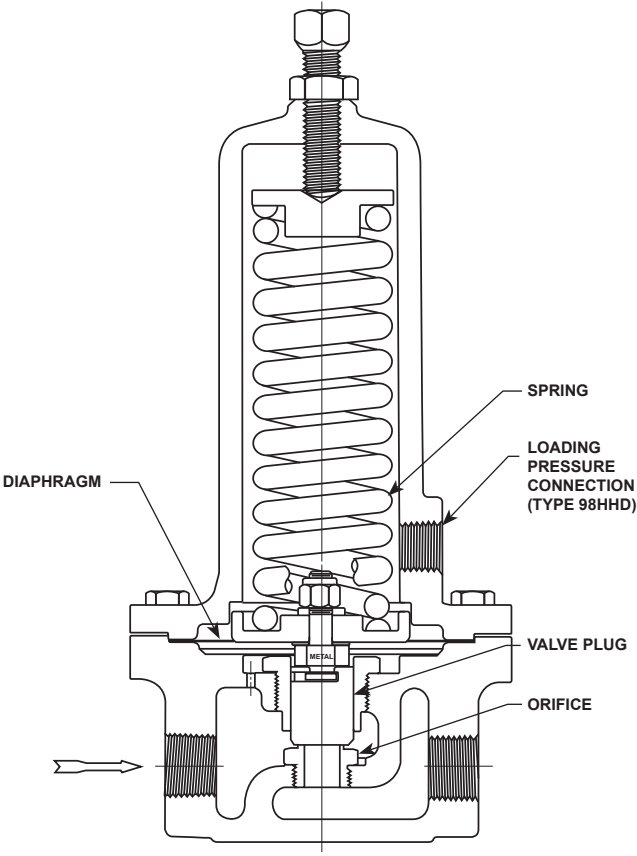
When corresponding with your local Sales Office about this equipment, be sure to include the type number and other information stamped on the nameplate.

When ordering replacement parts, reference the key number each needed part and specify the eleven-character part number as found in the following parts list.

Parts List

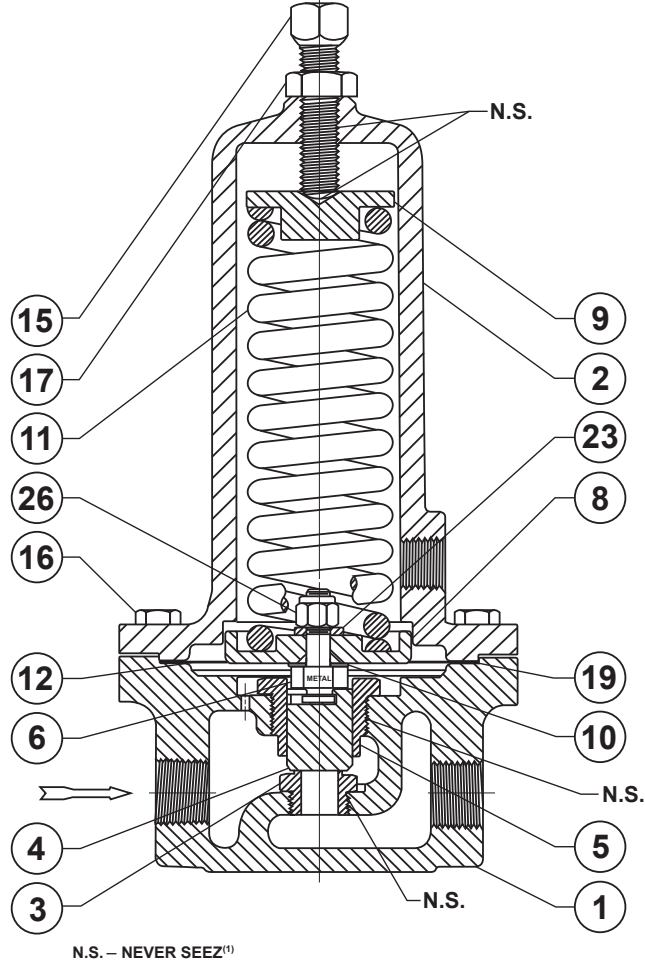
Key	Description	Part Number
	Parts kit (included are keys 3, 4, 10, 12, 19, 21, 22 and 24)	
	Elastomer Trim	
	1/4-inch body	R98HX000012
	1/2-inch (DN 15) body	R98HX000022
	3/4 and 1-inch (DN 20 and 25) bodies	R98HX000032
	Metal Trim	
	1/4-inch body	R98HX000042
	1/2-inch (DN 15) body	R98HX000052
	3/4 and 1-inch (DN 20 and 25) bodies	R98HX000062
1	Body	
	Cast iron	
	1/4-inch NPT	1L346419012
	1/2-inch NPT	2L339519012
	3/4-inch NPT	2L342519012
	1-inch NPT	2L342619012
	Steel	
	1/4-inch NPT	1L372122012
	1/2-inch NPT	2L368722012
	3/4-inch NPT	2L373422012
	1-inch NPT	2L373522012
	316 stainless steel	
	1/4-inch NPT	1L372133092
	1/2-inch NPT	2L368733092
	3/4-inch NPT	2L373433092
	1-inch NPT	2L373533092
2	Spring Case	
	Cast iron	
	1/4-inch body	2P181922012
	1/2-inch (DN 15) body	2P182122012
	3/4 and 1-inch (DN 20 and 25) bodies	3P182422012
	Steel	
	1/4-inch body	2P181922012
	1/2-inch (DN 15) body	2P182122012
	3/4 and 1-inch (DN 20 and 25) bodies	3P182422012
3*	Orifice	
	Metal to metal seat	
	416 stainless steel	
	1/4-inch body	1E391646172
	1/2-inch (DN 15) body	1E395046172
	3/4 and 1-inch (DN 20 and 25) bodies	1E398046172

*Recommended spare part.



CN9433
A1788-1

Figure 2. Operational Schematic for Type 98HH Relief Valves



30A7036-A

Figure 3. Type 98HH Relief Valve Assembly with Metal Seals

1. Never-Seez mark owned by Never-Seez Corp.

Type 98HH

Key	Description	Part Number	Key	Description	Part Number
3*	Orifice (continued)		6	Pusher Post	
	Metal to metal seat			Elastomer Diaphragm	
	316 stainless steel			416 stainless steel	
	1/4-inch body	1E391635072		1/4-inch body	1L345635132
	1/2-inch (DN 15) body	1E395035072		1/2-inch (DN 15) body	1L3416X0102
	3/4 and 1-inch (DN 20 and 25) bodies	1E398035072		3/4 and 1-inch (DN 20 and 25) bodies	1L343835132
	Elastomer Seat			316 stainless steel	
	416 stainless steel			1/4-inch body	1L345635072
	1/4-inch body	1L345935132		1/2-inch (DN 15) body	1L344235072
	1/2-inch (DN 15) body	1L341735132		3/4 and 1-inch (DN 20 and 25) bodies	1L343835072
	3/4 and 1-inch (DN 20 and 25) bodies	1L343135132		Metal Diaphragm	
	316 stainless steel			416 stainless steel trim	
	1/4-inch body	1L345935072		1/4-inch body	1L345735132
	1/2-inch (DN 15) body	1L341735072		1/2-inch (DN 15) body	1L344535132
	3/4 and 1-inch (DN 20 and 25) bodies	1L343135072		3/4 and 1-inch (DN 20 and 25) bodies	1L343935132
				316 stainless steel trim	
				1/4-inch body	1L345735072
				1/2-inch (DN 15) body	1L344535072
				3/4 and 1-inch (DN 20 and 25) bodies	1L343935072
4*	Valve Plug		7	Washer (elastomer diaphragm only)	
	Metal to metal seat			416 stainless steel trim	
	416 stainless steel			1/4-inch body	1L344736012
	1/4-inch body	1L345246172		1/2-inch (DN 15) body	1L339836012
	1/2-inch (DN 15) body	1L344146172		3/4 and 1-inch (DN 20 and 25) bodies	1L342836012
	3/4 and 1-inch (DN 20 and 25) bodies	1L343746172		316 stainless steel trim	
	316 stainless steel			1/4-inch body	1L344736142
	1/4-inch body	1L345235072		1/2-inch (DN 15) body	1L339835072
	1/2-inch (DN 15) body	1L344135162		3/4 and 1-inch (DN 20 and 25) bodies	1L342836142
	3/4 and 1-inch (DN 20 and 25) bodies	1L343735162			
	Elastomer Seat		8	Lower Spring Seat	
	416 stainless steel			1/4-inch body, aluminum	1N942009012
	1/4-inch body	1L345135132		1/2-inch (DN 15) body, steel zinc plate	1N943024272
	1/2-inch (DN 15) body	1L344335132		3/4 and 1-inch (DN 20 and 25) bodies, steel zinc plate	1N943824272
	3/4 and 1-inch (DN 20 and 25) bodies	1L343635132			
	316 stainless steel		9	Upper Spring Seat, steel	
	1/4-inch body	1L345135072		1/4-inch body	1N942124092
	1/2-inch (DN 15) body	1L344335072		1/2-inch (DN 15) body	1N943124092
	3/4 and 1-inch (DN 20 and 25) bodies	1L343635072		3/4 and 1-inch (DN 20 and 25) bodies	1N943924092
5	Valve Plug Guide		10*	Gasket, elastomer	
	416 stainless steel			1/4-inch body	1L344804022
	1/4-inch body	1L345835132		1/2-inch (DN 15) body	1L341104022
	1/2-inch (DN 15) body	1L341635132		3/4 and 1-inch (DN 20 and 25) bodies	1L343404022
	3/4 and 1-inch (DN 20 and 25) bodies	1L342935132			
	316 stainless steel				
	1/4-inch body	1L345835072			
	1/2-inch (DN 15) body	1L3416X0102			
	3/4 and 1-inch (DN 20 and 25) bodies	1L342935072			

*Recommended spare part.

Type 98HH

Key	Description	Part Number	Key	Description	Part Number
11	Relief Valve Spring, steel zinc plate		21	O-Ring Retainer (elastomer seat only)	
	1/4-inch body	1N942227142		1/4-inch body	
	1/2-inch (DN 15) body	1N943427142		416 stainless steel	1L346035132
	3/4 and 1-inch (DN 20 and 25) bodies	1N944127182		316 stainless steel	1L346035072
12*	Diaphragm			1/2-inch (DN 15) body	
	1/4-inch body			416 stainless steel	1L341535232
	Neoprene (CR)	1L344902112		316 stainless steel	1L341535072
	Fluorocarbon (FKM) (2 required)	1L344902402		3/4 and 1-inch (DN 20 and 25) bodies	
	302 stainless steel (2 required)	1L345036012		416 stainless steel	1L343035132
	1/2-inch (DN 15) body			316 stainless steel	1L343035072
	Neoprene (CR)	1L341202112	22*	O-Ring (elastomer seat only)	
	Fluorocarbon (FKM) (2 required)	1L341202402		1/4-inch body	
	302 stainless steel (2 required)	1L339936012		Nitrile (NBR)	1C853806992
	3/4 and 1-inch (DN 20 and 25) bodies			Fluorocarbon (FKM)	1C8538X0052
	Neoprene (CR)	1L343302112		1/2-inch (DN 15) body	
	Fluorocarbon (FKM) (2 required)	1L3433X0032		Nitrile (NBR)	1D288806992
	302 stainless steel (2 required)	1L343236012		Fluorocarbon (FKM)	1N530106382
15	Adjusting Screw, steel plate			3/4 and 1-inch (DN 20 and 25) bodies	
	1/4-inch body	1E639928982		Nitrile (NBR)	1C782106992
	1/2-inch (DN 15) body	1E268028982		Fluorocarbon (FKM)	1C7821X0072
	3/4 and 1-inch (DN 20 and 25) bodies	1N944028982	23	Lockwasher, steel	
16	Cap Screw, steel zinc plate			1/4 and 1/2-inch (DN 15) bodies	1C225628982
	1/4-inch body (6 required)	1K764624052		3/4 and 1-inch (DN 20 and 25) bodies	1H624328992
	1/2-inch (DN 15) body (8 required)	1B787724052	24	Machine Screw, stainless steel	
	3/4 and 1-inch (DN 20 and 25) bodies			(elastomer seat only)	
	(8 required)	1C403824052		1/4-inch body	1L346238992
17	Jam Nut, steel zinc plate			1/2-inch (DN 15) body	1J4159X0012
	1/4-inch body	1A352224122		3/4 and 1-inch (DN 20 and 25) bodies	1L343538992
	1/2-inch (DN 15) body	1A352424122	26	Locknut, steel zinc plate	
	3/4 and 1-inch (DN 20 and 25) bodies	1A319224122		1/4 and 1/2-inch (DN 15) bodies	1L872324122
18	Drive Screw, stainless steel			3/4 and 1-inch (DN 20 and 25) bodies	1L872224122
	not shown (2 required)	1A368228982			
19*	Diaphragm Gasket, elastomer				
	Use with 302 stainless steel diaphragm				
	1/4-inch body	1E393104022			
	1/2-inch (DN 15) body	1E396104022			
	3/4 and 1-inch (DN 20 and 25) bodies	1E399304022			

*Recommended spare part.

Type 98HH

**Industrial Regulators
Regulator Division
Emerson Process Management**

USA - Headquarters
McKinney, Texas 75070 USA
Tel: 1-800-558-5853
Outside U.S. 1-972-548-3574

Asia-Pacific
Shanghai, China 201206
Tel: +86 21 2892 9000

Europe
Bologna, Italy 40013
Tel: +39 051 4190611

**Natural Gas Technologies
Regulator Division
Emerson Process Management**

USA - Headquarters
McKinney, Texas 75070
Tel: 1-800-558-5853
Outside U.S. 1-972-548-3574

Asia-Pacific
Singapore, Singapore 128461
Tel: +65 6777 8211

Europe
Bologna, Italy 40013
Tel: +39 051 4190611
Gallardon, France 28320
Tel: +33 (0)2 37 33 47 00

**TESCOM
Regulator Division
Emerson Process Management**

USA - Headquarters
Elk River, Minnesota 55330 USA
Tel: 1-763-241-3238

Europe
Selmsdorf, Germany 23923
Tel: +49 (0) 38823 31 0

For further information visit www.emersonprocess.com/regulators

The Emerson logo is a trademark and service mark of Emerson Electric Co. All other marks are the property of their prospective owners. Fisher is a mark owned by Fisher Controls, Inc., a business of Emerson Process Management.

The contents of this publication are presented for informational purposes only, and while every effort has been made to ensure their accuracy, they are not to be construed as warranties or guarantees, express or implied, regarding the products or services described herein or their use or applicability. We reserve the right to modify or improve the designs or specifications of such products at any time without notice.

Emerson Process Management does not assume responsibility for the selection, use or maintenance of any product. Responsibility for proper selection, use and maintenance of any Emerson Process Management product remains solely with the purchaser.