

Type ACE95jr Tank Blanketing Valve

Features

- Fully Balanced Plug Design Reduces Inlet Pressure Sensitivity
- High Sensitivity
- Bubble Tight Shutoff
- Stainless Steel Construction Available
- Self-Contained
- Vacuum Settings Available

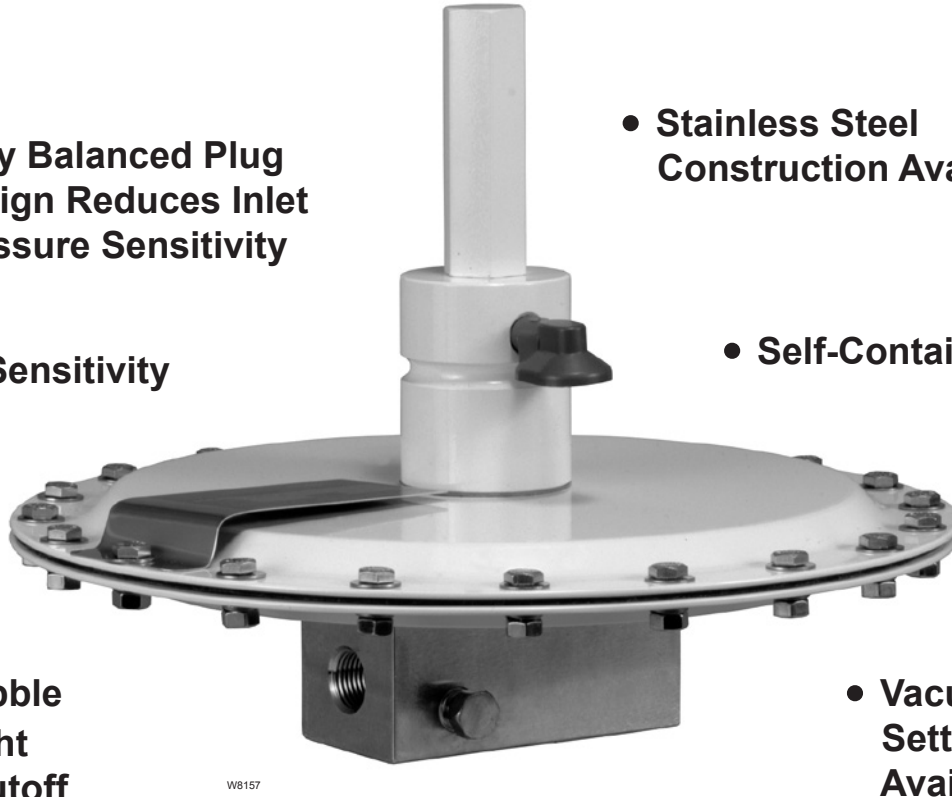


Figure 1. Type ACE95jr Tank Blanketing Valve

Introduction

Tank blanketing is the process of using a gas, usually an inert gas such as nitrogen, to maintain a slightly positive pressure in an enclosed storage tank. Tank blanketing prevents a stored product from vaporizing into the atmosphere, reduces product combustibility, and prevents oxidation or contamination of the product by reducing its exposure to air. Tank blanketing is utilized with various products, including: adhesives, pharmaceuticals, pesticides, fertilizers, fuels, inks, photographic chemicals, and food additives.

Type ACE95jr valves are self-contained, fully balanced, and used for accurate pressure control on tank blanketing systems. These valves help control emissions and provide protection against atmospheric contamination. Type ACE95jr valves maintain a positive tank pressure which reduces the possibility of tank wall collapse during pump out operations and prevents a stored product from vaporizing to atmosphere.

Bulletin 74.1:ACE95JR

Specifications

Sizes and End Connection Styles

1/2 NPT
 1 x 1/2 NPT
 1 NPT
 NPS 1/2 / DN 15, CL150 RF
 NPS 1 / DN 25, CL150 RF
 NPS 1 x 1/2 / DN 25 x 15, CL150 RF
 NPS 1 / DN 25, Sanitary Flange

Maximum Operating Inlet Pressure⁽¹⁾

200 psig / 13.8 bar

Maximum Emergency Outlet (Casing) Pressure⁽¹⁾

20 psig / 1.4 bar

Maximum Operating Control Pressure⁽¹⁾

1.5 psig / 0.10 bar

Control Pressure Ranges⁽¹⁾

See Table 1

Maximum Differential Pressures

Up to 200 psig / 13.8 bar

Main Valve Flow Characteristic

Linear

Pressure Registration

External

Capacities

See Table 4

Temperature Capabilities⁽¹⁾

Nitrile (NBR):

-20 to 180°F / -29 to 82°C

Fluorocarbon (FKM):

0 to 212°F / -18 to 100°C

Ethylenepropylene (EPDM - FDA):

-20 to 212°F / -29 to 100°C

Perfluoroelastomer (FFKM):

-20 to 212°F / -29 to 100°C

Flow Coefficients for Relief Valve Sizing

(110% of rated C_v)

C_v 0.2 use C_v 0.22

C_v 0.4 use C_v 0.44

IEC Sizing Coefficients

X_r : 0.655; F_D : 0.86; F_L : 0.89

Construction Materials

Body: 316 Stainless Steel

Trim: 304 Stainless Steel and 316 Stainless Steel

Elastomers: Nitrile (NBR), Fluorocarbon (FKM), FDA-Ethylenepropylene (EPDM), or Perfluoroelastomer (FFKM)

Diaphragm: Polytetrafluoroethylene (PTFE)

Actuator: 316 Stainless Steel or Carbon Steel

Approximate Weight (with all accessories)

30 pounds / 14 kg

1. The pressure/temperature limits in this Bulletin, and any applicable standard or code limitation should not be exceeded.

Table 1. Control Pressure Ranges

OUTLET (CONTROL PRESSURE RANGE)		SPRING PART NUMBER	SPRING MATERIAL	SPRING FREE LENGTH		SPRING WIRE DIAMETER	
inches w.c.	mbar			inches	mm	inches	mm
-5 to -0.5	-12 to -1	GC220701X22	Stainless Steel	2.75 0.88	69.8 22.4 ⁽¹⁾	0.080 0.085	2.03 2.16 ⁽¹⁾
-1 to 1	-2 to 2	GC220701X22	Stainless Steel	2.75 1.60	69.8 40.6 ⁽¹⁾	0.080 0.065	2.03 1.65 ⁽¹⁾
0.5 to 5	1 to 12	GC220701X22	Stainless Steel	2.75	69.8	0.080	2.03
4 to 10	10 to 25	GC220702X22	Stainless Steel	2.00	50.8	0.112	2.84
8 to 15	20 to 37	GC220703X22	Stainless Steel	2.00	50.8	0.125	3.17
0.5 to 1.5 psig	34 to 103	GC220708X22	Stainless Steel	2.75	69.8	0.225	5.71

1. The second spring is located under the diaphragm assembly.

Features and Benefits

Large PTFE Diaphragm—Resistant to corrosion and highly sensitive to changes in tank pressure.

Fully Balanced—Eliminates setpoint changes caused by variations in inlet pressure.

Large Actuator—Large actuator diaphragm increases sensitivity to tank pressure changes.

Rolling Diaphragm—The rolling diaphragm balances the pilot valve and eliminates friction, resulting in extremely accurate control.

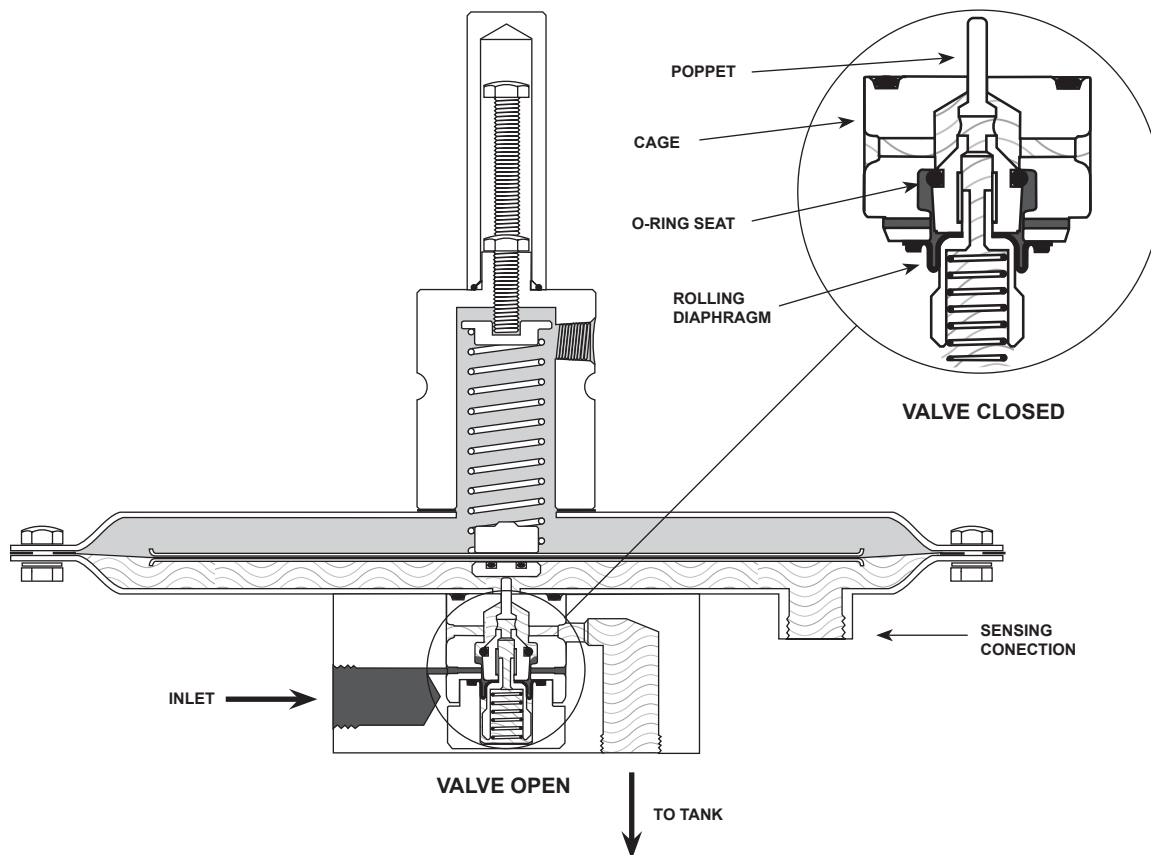
Options and Accessories

Inlet Pressure Gauge—Displays pressure of blanketing gas supply to the tank blanketing valve.

Control Pressure Gauge—Low-pressure gauge to measure control pressure (tank pressure).

Purge Meter (Rotameter)—Maintains a small amount of flow through the sensing or main line. Prevents corrosive tank vapors from damaging upstream equipment.

Pressure Switch—Allows installation of an alarm system to indicate low or high-pressure on the tank.



E0205

- INLET PRESSURE
- ATMOSPHERIC PRESSURE
- TANK PRESSURE

Figure 2. Operational Schematic

Outlet Check Valve—Prevents corrosive gases and vapors from flowing back into the blanketing system through the delivery line.

Single Array Manifold (SAM)—Provides sense line connection and main valve connection through a single tank nozzle.

Inlet Filter—Screens out any foreign material upstream that may cause blockage in the gas flow.

Principle of Operation

The Type ACE95jr tank blanketing valve controls the vapor space pressure over a stored liquid. When liquid is pumped out of the tank or vapors in the tank condense, the pressure in the tank decreases. Tank pressure is sensed by the large actuator diaphragm. When tank pressure is less than the valve set pressure, spring force moves the actuator diaphragm downward.

When the actuator moves downward, it pushes open the valve plug which allows flow in to the tank. See Figure 2. When pressure in the tank increases above setpoint, the large actuator diaphragm is pushed upward, allowing the valve plug to close.

The valve plug is balanced (inlet pressure creates equal upward and downward force on these components); therefore, the outlet (control) pressure of the unit is not affected by fluctuating inlet pressure.

Installation

The Type ACE95jr tank blanketing valve was assembled and preset to the customer specified pressure and setpoint at the factory. The outlet (control) pressure range of the valve is stamped on the nameplate fastened to the upper actuator case. The gas blanketing setpoint is the only adjustable feature on this unit.

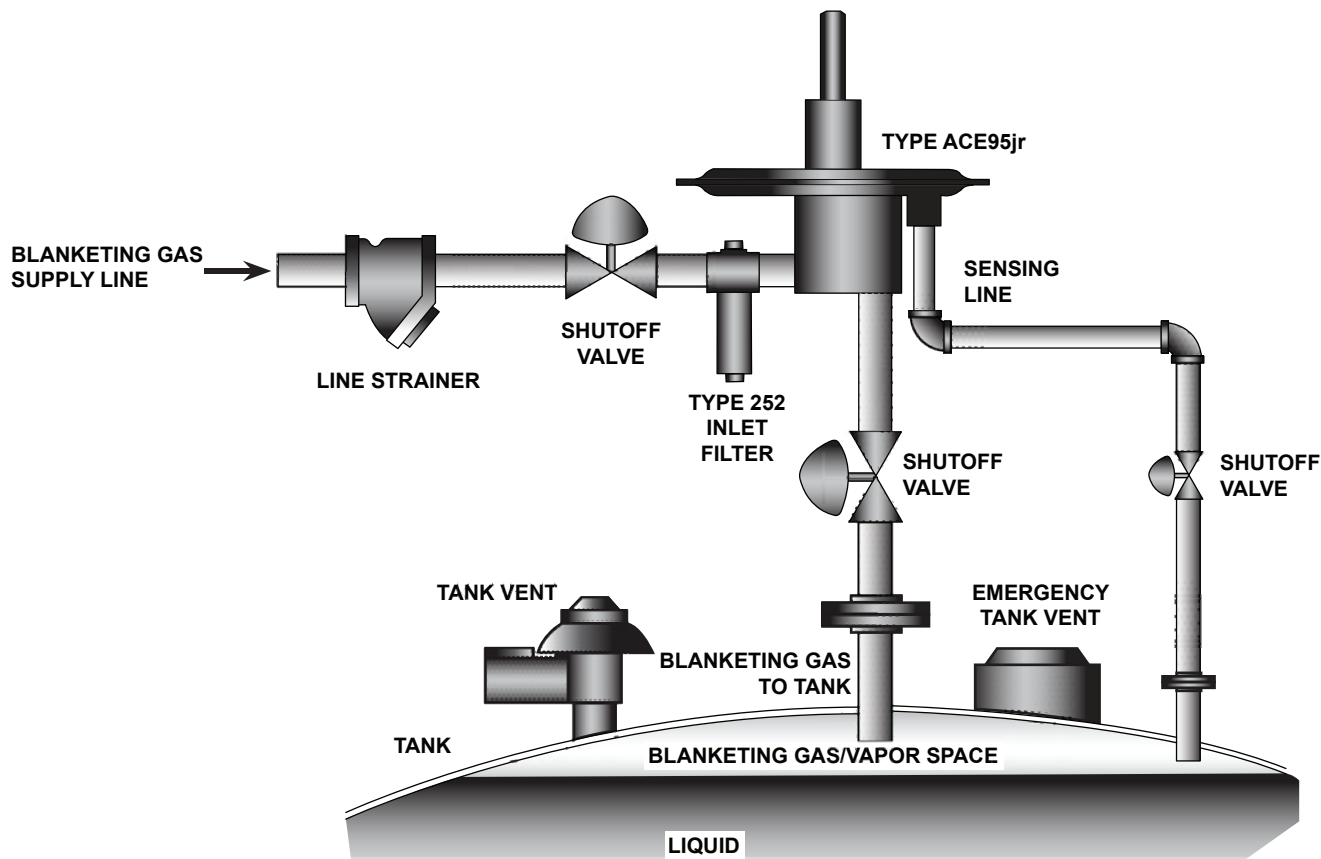


Figure 3. Type ACE95jr Tank Blanketing Valve Installation

When installing Type ACE95jr, the sensing line and gas-to-tank line must always be above the tank liquid level and should slope down towards the tank without any traps to avoid catching of liquid. Inlet supply line may be installed with a filter and the outlet piping should be full-sized and self draining to the tank and also valves and vents must be full line size and should be mounted above the tank.

Sizing Methods

Direct Displacement

Use the direct displacement method with extreme caution. The direct displacement method determines the amount of blanketing gas required to replace liquid pumped out of the tank. Direct displacement does not account for fluctuating temperature or other factors that may affect pressure in the vapor space. This method is typically applied to tanks operating at constant temperatures and containing non-flammable, non-volatile products.

$$Q_{total} = Q_{pump}$$

where,

- Q_{total} = Required Flow Rate
- Q_{pump} = Required Flow Rate to replace pumped out liquid from Table 2

API 2000

The American Petroleum Institute Standard 2000 (API 2000) sizing criteria accounts for liquid pump out as well as contraction of tank vapors due to cooling. When using API methods:

$$Q_{total} = Q_{pump} + Q_{thermal}$$

where,

- Q_{total} = Required Flow Rate
- Q_{pump} = Required Flow Rate to replace pumped out liquid from Table 2
- $Q_{thermal}$ = Required Flow Rate due to thermal cooling. See Thermal Equations 1 through 4

Thermal Equations

For tanks up to 840,000 gallons / 3180 m³ capacity:

Equation 1:

$$Q_{\text{thermal}} [\text{SCFH air}] = V_{\text{tank}} \times 0.0238$$

Equation 2:

$$Q_{\text{thermal}} [\text{SCFH nitrogen}] = V_{\text{tank}} \times 0.0238 \times 1.015$$

Equation 3:

$$Q_{\text{thermal}} [\text{Nm}^3/\text{h air}] = V_{\text{tank}} \times 0.169$$

Equation 4:

$$Q_{\text{thermal}} [\text{Nm}^3/\text{h nitrogen}] = V_{\text{tank}} \times 0.169 \times 1.015$$

where,

For Equations 1 and 2: V_{tank} = tank volume, gallons

For Equations 3 and 4: V_{tank} = tank volume, m³

Depending on the method, there can be a significant difference in the calculated required capacity. **No matter which method is used, the tank must be equipped with supplemental venting to protect the tank, product, and personnel in cases of equipment failure, fire exposure, or other conditions that could cause the tank pressure or vacuum to exceed operating limits.**

Table 2. Flow Rate Conversion⁽¹⁾

MULTIPLY MAXIMUM PUMP RATE OUT:	BY	TO OBTAIN ⁽¹⁾ :
U.S. GPM	8.021	SCFH
U.S. GPH	0.1337	SCFH
m ³ /h	1.01	Nm ³ /h
Barrels/h	5.615	SCFH
Barrels/day	0.2340	SCFH

1. Gas flow of blanketing gas to replace liquid pumped out.

Table 3. Correction Factors (for converting nitrogen flow rates to other gas flow rates)

BLANKET GAS	SPECIFIC GRAVITY	CORRECTION FACTOR
Natural Gas	0.60	1.270
Air	1.00	0.985
Dry CO ₂	1.52	0.797

$$\text{Correction Factor} = \frac{0.985}{\sqrt{\text{SG}}}$$

Capacity Information

Capacity tables are based on 0.97 specific gravity nitrogen. Nitrogen is the most common blanketing gas. Should you use a different gas, convert the tabular values as follows. For blanketing (pad) gases other than nitrogen, multiply the given nitrogen flow rate by the correction factors in Table 3. For gases of other specific gravities, multiply the given nitrogen flow rate by 0.985, and divide by the square root of the appropriate specific gravity.

Table 4. Capacities in 0.97 Specific Gravity Nitrogen

INLET PRESSURE				C _v = 0.2, SCFH / Nm ³ /h	C _v = 0.4, SCFH / Nm ³ /h		
psig	bar	kg/ cm ²	kPa	SCFH	Nm ³ /h	SCFH	Nm ³ /h
1 ⁽¹⁾	0.07	0.07	6.90	42	1.1	84	2.2
2 ⁽¹⁾	0.14	0.14	13.8	61	1.6	120	3.2
5 ⁽¹⁾	0.34	0.35	34.5	98	2.6	210	5.6
10	0.69	0.70	69.0	130	4.6	310	8.3
15	1.0	1.06	103	160	4.3	400	10.7
20	1.4	1.41	138	210	5.6	480	12.9
25	1.7	1.76	172	250	6.7	550	14.7
30	2.1	2.11	207	290	7.7	630	16.9
40	2.8	2.81	276	370	9.9	780	20.9
50	3.4	3.52	345	450	12.1	930	24.9
60	4.1	4.22	414	530	14.2	1070	28.7
70	4.8	4.92	483	610	16.3	1230	33.0
80	5.5	5.63	552	690	18.5	1390	37.3
90	6.2	6.33	621	780	20.9	1560	41.8
100	6.9	7.03	690	860	23.0	1720	46.1
120	8.3	8.44	827	1020	27.3	2040	54.7
140	9.6	9.85	965	1180	31.6	2360	63.2
160	11.0	11.3	1103	1340	35.9	2680	71.8
180	12.4	12.7	1241	1500	40.2	3000	80.4
200	13.8	14.1	1379	1660	44.5	3330	89.2

1. Assumes an outlet (control) pressure of 5-inches w.c. / 12 mbar or less.

Ordering Information

Refer to the Specifications section on page 2. Carefully review each specification and construction feature, then complete the Ordering Guide.

Also, please complete the Specifications Worksheet at the bottom of the Ordering Guide on page 7.

Bulletin 74.1:ACE95JR

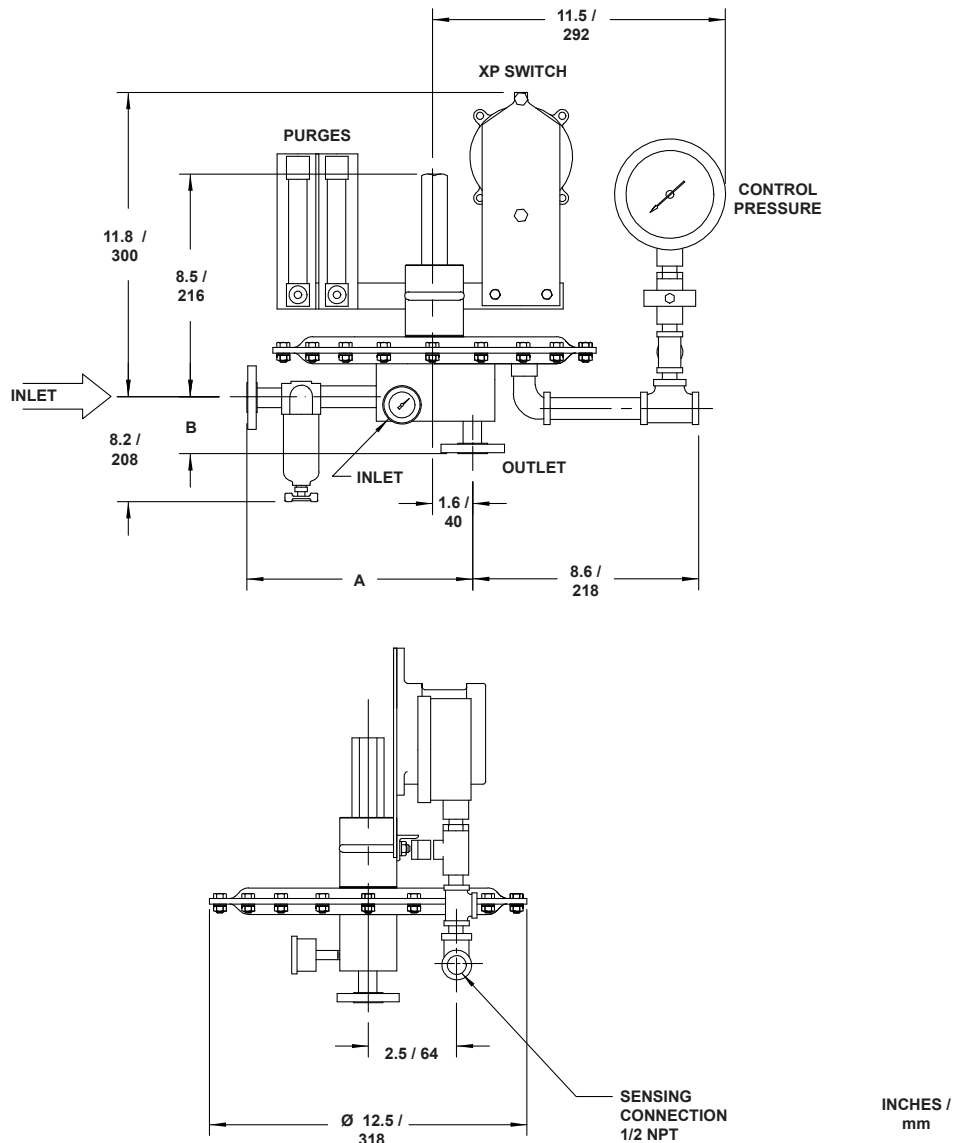


Figure 4. Type ACE95jr Dimensions

Table 5. Type ACE95jr Dimensions

BODY SIZE, NPS / DN		STRUCTURE	DIMENSIONS					
			NPT		CL150 RF Flange		Sanitary	
A								
NPS	DN		inches	mm	inches	mm	inches	mm
1/2	15	without Filter	3.7	94	9.7	246	----	----
		with Filter	8.1	206	10.1	256	----	----
1	25	without Filter	7.5	190	9.8	249	9.4	238
		with Filter	11.8	300	10.2	259	10.0	254
B								
1/2	15	without Check valve	1.0	25	2.9	74	----	----
		with Check valve	3.8	96	5.7	145	----	----
1	25	without Check valve	4.7	119	3.0	76	2.8	71
		with Check valve	7.5	190	5.8	147	5.6	142

Ordering Guide

Body Size and Connection Styles (Select One)

- 1/2 NPT
- 1 x 1/2 NPT
- 1 NPT
- NPS 1/2 / DN 15, CL150 RF
- NPS 1 / DN 25, CL150 RF
- NPS 1 x 1/2 / DN 25 x 15, CL150 RF
- NPS 1 / DN 25, Sanitary Flange

Actuator/Diaphragm (Select One)

- Carbon Steel with PTFE Diaphragm
- Stainless Steel with PTFE Diaphragm

Elastomers (Select One)

- Nitrile (NBR)
- Fluorocarbon (FKM)
- Ethylenepropylene (EPDM - FDA)
- Perfluoroelastomer (FFKM)

Main Valve Coefficient (Select One)

- C_v - 0.2
- C_v - 0.4

Control Pressure Range (Select One)

- 5 to -0.5 inches w.c. / -12 to -1 mbar
- 1 to 1 inch w.c. / -2 to 2 mbar
- 0.5 to 5 inches w.c. / 1 to 12 mbar
- 4 to 10 inches w.c. / 10 to 25 mbar
- 8 to 15 inches w.c. / 20 to 37 mbar
- 0.5 to 1.5 psig / 0.03 to 0.10 bar

Accessories (Optional)

- Inlet Pressure Gauge
- Control Pressure Gauge
- Purge Meter (Rotameter)
- Pressure Switch
- Outlet Check Valve
- Inlet Filter

Single Array Manifold (Optional)

- Yes, please add a SAM unit to my order.
Applicable only for 1/2 NPT body size and end connection.

Parts Kit (Optional)

- Yes, please send one parts kit to match this order.

Regulators Quick Order Guide	
***	Readily Available for Shipment
**	Allow Additional Time for Shipment
*	Special Order, Constructed from Non-Stocked Parts. Consult Your local Sales Office for Availability.
Availability of the product being ordered is determined by the component with the longest shipping time for the requested construction.	

Specification Worksheet	
Application Specifications:	
Product in Tank	_____
Tank Size	_____
Pump In Rate	_____
Pump Out Rate	_____
Blanketing Gas (Type and Specific Gravity)	_____
Conservation Vent Setpoints: _____ Pressure _____ Vacuum	
Pressure Requirements (Please Designate Units):	
Maximum Inlet Pressure (P_{1max})	_____
Minimum Inlet Pressure (P_{1min})	_____
Control Pressure Setting (P_2)	_____
Maximum Flow (Q_{max})	_____
Other Specifications:	
Is a vapor recovery regulator required?	
<input type="checkbox"/> Yes <input type="checkbox"/> No	
Other Requirements: _____	

Bulletin 74.1:ACE95JR

Industrial Regulators

Emerson Process Management Regulator Technologies, Inc.

USA - Headquarters
McKinney, Texas 75069-1872, USA
Tel: +1 800 558 5853
Outside U.S. +1 972 548 3574

Asia-Pacific
Shanghai 201206, China
Tel: +86 21 2892 9000

Europe
Bologna 40013, Italy
Tel: +39 051 419 0611

Middle East and Africa
Dubai, United Arab Emirates
Tel: +971 4811 8100

For further information visit www.fisherregulators.com

Natural Gas Technologies

Emerson Process Management Regulator Technologies, Inc.

USA - Headquarters
McKinney, Texas 75069-1872, USA
Tel: +1 800 558 5853
Outside U.S. +1 972 548 3574

Asia-Pacific
Singapore 128461, Singapore
Tel: +65 6770 8337

Europe
Bologna 40013, Italy
Tel: +39 051 419 0611
Chartres 28000, France
Tel: +33 2 37 33 47 00

TESCOM

Emerson Process Management Tescom Corporation

USA - Headquarters
Elk River, Minnesota 55330-2445, USA
Tels: +1 763 241 3238
+1 800 447 1250

Europe
Selmsdorf 23923, Germany
Tel: +49 38823 31 287

Asia-Pacific
Shanghai 201206, China
Tel: +86 21 2892 9499

The Emerson logo is a trademark and service mark of Emerson Electric Co. All other marks are the property of their prospective owners. Fisher is a mark owned by Fisher Controls International LLC, a business of Emerson Process Management.

The contents of this publication are presented for informational purposes only, and while every effort has been made to ensure their accuracy, they are not to be construed as warranties or guarantees, express or implied, regarding the products or services described herein or their use or applicability. We reserve the right to modify or improve the designs or specifications of such products at any time without notice.

Emerson Process Management does not assume responsibility for the selection, use or maintenance of any product. Responsibility for proper selection, use and maintenance of any Emerson Process Management product remains solely with the purchaser.