

# BALL VALVES

Types Floating and Trunnion



# Types Floating and Trunnion Ball Valves

## Ball Valves

Available in Floating and Trunnion types. These valves are full bore type and have been designed and manufactured for use in gas distribution and transport lines.

The main features are as follows:

- *Antistatic and fire-proof design*
- *High versatility for a wide range of different applications*

### Technical Features

#### Floating Type

Full bore valve with cast steel body. Lever or gear operated.

Allowable pressure PS : up to 100 bar

Permissible inlet pressure  $P_e$  max : 100 bar

Flanged connections:

25 - 50 - 80 - 100 - 150

1" - 2" - 3" - 4" - 6"

Flange rating: CL 150, CL 300, CL 600

Temperature: Working -20 °C +60 °C



#### Trunnion Type

"Double Block and Bleed" full bore valve, with cast steel or forged body. Lever or gear operated.

Allowable pressure PS : up to 100 bar

Permissible inlet pressure  $P_e$  max : 100 bar

Flanged connections:

80 - 100 - 150 - 200 - 250 - 300 - 350 - 400 - 450 - 500 - 600

3" - 4" - 6" - 8" - 10" - 12" - 14" - 16" - 18" - 20" - 24"

Note: Up to DN 150 the valves are available only with forged steel body.

Flange rating: CL 150, CL 300, CL 600

Temperature: Working -20 °C +60 °C



### Applications

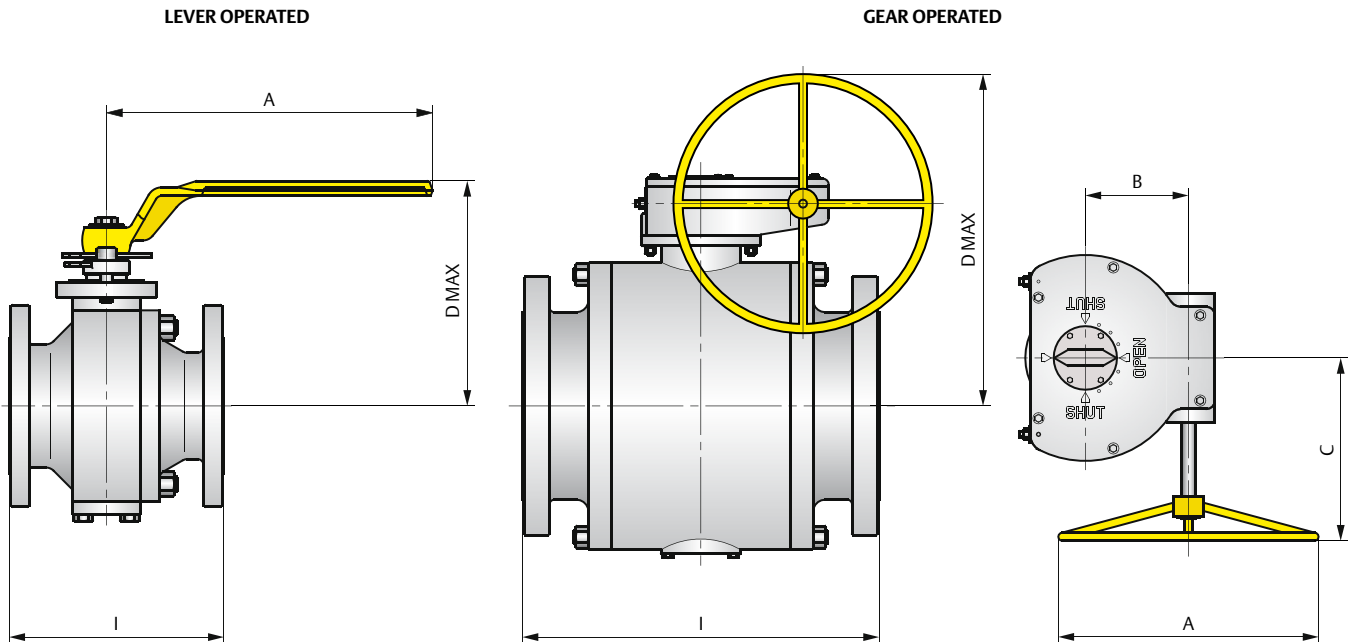
Non-aggressive gases  
Clean fluids

### Materials

Forged or cast steel body  
Steel ball with nickel plating  
PTFE gasket

# Types Floating and Trunnion Ball Valves

## Dimensions (mm)



### “Floating” Type

DN	Operated by	CL 150					CL 300					CL 600					
		I	A	B	C	D MAX	I	A	B	C	D MAX	I	A	B	C	D MAX	
25	1"	Lever	127	200			150	165	200			150	216	200			150
50	2"	Lever	178	250			200	216	250			200	292	400			200
80	3"	Gear	203	320	72	180	384	283	320	72	180	384					
100	4"	Gear	229	320	72	180	438	305	320	72	180	438					
150	6"	Gear	394	400	91	218	563	403	400	91	218	563					

### “Trunnion” Type

DN	Operated by	CL 150					CL 300					CL 600					
		I	A	B	C	D MAX	I	A	B	C	D MAX	I	A	B	C	D MAX	
80	3"	Gear	203	320	72	180	393	283	320	72	180	393	356	320	72	180	395
100	4"	Gear	229	320	72	180	438	305	320	72	180	438	432	320	72	180	453
150	6"	Gear	394	400	91	218	476	403	400	91	218	476	559	400	109	260	577
200	8"	Gear	457	400	109	260	620	502	400	109	260	620	660	400	109	260	651
250	10"	Gear	533	400	109	260	693	568	400	109	260	693	787	400	138	357	627
300	12"	Gear	610	400	138	357	660	648	400	138	357	660	838	400	138	357	697
350	14"	Gear	686	400	138	357	684	762	400	138	357	684	889	650	258	405	852
400	16"	Gear	762	400	138	357	744	838	400	138	357	744	991	650	258	405	920
450	18"	Gear	864	650	258	405	902	914	650	258	405	902	1092	800	150	505	1065
500	20"	Gear	914	650	258	405	960	991	650	258	405	960	1194	800	150	505	1142
600	24"	Gear	1067	800	150	505	1270	1143	800	150	505	1270	1397	800	180	555	1320

## Weights (kg)

DN		"Floating" Type			"Trunnion" Type					
		CL 150	CL 300	CL 600	CL 150		CL 300		CL 600	
		Forged steel body			Forged steel body	Cast steel body	Forged steel body	Cast steel body	Forged steel body	Cast steel body
25	1"	6.5	7	10						
50	2"	12	15	18						
80	3"	25	40		25	22	33	30	65	55
100	4"	36	45		38	35	59	55	110	102
150	6"	75	115		78	74	125	118	245	232
200	8"				210	205	270	255	430	390
250	10"				340	322	390	370	760	710
300	12"				480	460	560	533	1010	960
350	14"				595	576	670	640	1850	1700
400	16"				890	864	1080	1030	2100	1970
450	18"				1350	1280	1610	1542	2980	2150
500	20"				1680	1600	2210	2100	3360	3250
600	24"				3650	3540	4435	4200	6000	5800

### Industrial Regulators

#### Emerson Process Management Regulator Technologies, Inc.

##### USA - Headquarters

McKinney, Texas 75070 USA  
Tel: +1 800 558 5853  
Outside US: +1 972 548 3574

##### Europe

Bologna 40013, Italy  
Tel: +39 051 419 0611

##### Asia-Pacific

Shanghai 201206, China  
Tel: +86 21 2892 9000

##### Middle East and Africa

Dubai, United Arab Emirates  
Tel: +971 4811 8100

### Natural Gas Technologies

#### Emerson Process Management Regulator Technologies, Inc.

##### USA - Headquarters

McKinney, Texas 75070 USA  
Tel: +1 800 558 5853  
Outside US: +1 972 548 3574

##### Europe

Bologna 40013, Italy  
Tel: +39 051 419 0611  
Chartres 28008, France  
Tel: +33 2 37 33 47 00

##### Asia-Pacific

Singapore 128461, Singapore  
Tel: +65 6770 8337

##### Middle East and Africa

Dubai, United Arab Emirates  
Tel: +971 4811 8100

### LP-Gas Equipment

#### Emerson Process Management Regulator Technologies, Inc.

##### USA - Headquarters

McKinney, Texas 75070 USA  
Tel: +1 800 558 5853  
Outside US: +1 972 548 3574

### TESCOM

#### Emerson Process Management Tescom Corporation

##### USA - Headquarters

Elk River, Minnesota 55330-2445 USA  
Tel: +1 763 241 3238  
+1 800 447 1250

##### Europe

Selmsdorf 23923, Germany  
Tel: +49 38823 31 287

##### Asia-Pacific

Shanghai 201206, China  
Tel: +86 21 2892 9499

For further information visit [www.emersonprocess.com/regulators](http://www.emersonprocess.com/regulators)

### Our Global Product Brands:



The Emerson logo is a trademark and service mark of Emerson Electric Co. All other marks are the property of their prospective owners. Fisher, Tartarini, Francel, Emerson Process Management and the Emerson Process Management design are marks of the Emerson Process Management group of companies.

The contents of this publication are presented for informational purposes only, and while every effort has been made to ensure their accuracy, they are not to be construed as warranties or guarantees, express or implied, regarding the products or services described herein or their use or applicability. We reserve the right to modify or improve the designs or specifications of such products at any time without notice.

Emerson Process Management does not assume responsibility for the selection, use or maintenance of any product. Responsibility for proper selection, use and maintenance of any Emerson Process Management product remains solely with the purchaser.

O.M.T. Officina Meccanica Tartarini S.R.L., Via P. Fabbri 1, I-40013 Castel Maggiore (Bologna), Italy

R.E.A 184221 BO Cod. Fisc. 00623720372 Part. IVA 00519501209 N° IVA CEE IT 00519501209, Cap. Soc. 1.548 000 Euro i.v. R.I. 00623720372 - M BO 020330

Francel SAS, 3 Avenue Victor Hugo, CS 80125, Chartres 28008, France

SIRET 552 068 637 00057 APE 2651B, N° TVA : FR84552068637, RCS Chartres B 552 068 637, SAS capital 534 400 Euro

D104041X012 - 02/2015 - Rev.00©Emerson Process Management Regulator Technologies, Inc., 2015; All Rights Reserved

