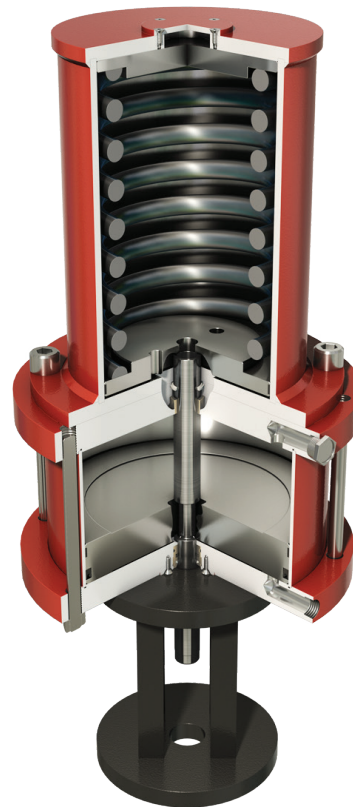


Bettis GVO-C Series

GVO-CLP-SR Pneumatic Actuator



Fail-Close Data

Maximum Stroke (in)	Spring End	Available force @ 60 psi			Available force @ 80 psi			Available force @ 100 psi			Spring
	ETC (lbs)	Bore	BTO (lbs)	ETO (lbs)	Bore	BTO (lbs)	ETO (lbs)	Bore	BTO (lbs)	ETO (lbs)	Canister
2.75	300	6	1,282	523	6	1,832	1,073	6	2,382	1,622	4
	525	6	1,145	385	6	1,694	935	6	2,244	1,485	4
	750	7	1,620	861	6	1,557	798	6	2,107	1,347	4
	1,180	7	1,482	723	6	1,419	660	6	1,969	1,210	4
	1,540	7	1,345	586	6	1,282	523	6	1,832	1,072	4
	15,000	20 TC	18,777	15,752	24	17,292	14,267	16 TC	21,251	18,226	12D
	30,000	28 TC	36,069	30,775	24 TC	34,585	29,291	22 TC	37,946	32,652	16
	44,000	36 TC	65,516	57,954	42	55,157	47,594	26 TC	50,484	42,921	22
	58,000	42 TC	92,513	84,951	36 TC	80,607	88,170	42	65,279	57,717	22
72,000	42 TC	75,402	67,839	42 TC	129,869	122,307	36 TC	110,823	103,261	22	
3.75	550	7	1,589	764	7	2,343	1,518	7	3,097	2,272	6
	1,000	7	1,479	654	7	2,233	1,408	7	2,987	2,162	6
	1,513	7	1,369	544	7	2,123	1,298	7	2,877	2,052	6
	2,188	8	1,746	921	7	1,793	968	7	2,547	1,722	6
	3,177	8	1,526	701	7	1,573	748	7	2,327	1,502	6
	16,000	20 TC	17,554	13,429	24	16,070	11,945	16 TC	20,028	15,903	12D
	30,000	28 TC	36,069	28,850	24 TC	34,585	27,366	22 TC	37,946	30,727	16
	43,000	36 TC	66,738	56,426	28 TC	44,425	34,113	26 TC	51,706	41,393	22
	57,000	42 TC	93,735	83,423	32 TC	57,002	46,690	30 TC	69,781	59,468	22
70,000	42 TC	77,846	67,534	36 TC	73,503	63,191	32 TC	72,781	62,468	22	
4.75	820	8	1,966	921	7	2,013	968	7	2,767	1,722	6
	1,090	8	1,636	591	8	2,626	1,581	7	2,437	1,392	6
	1,625	10	2,637	1,330	10	4,178	2,872	8	2,961	1,655	8
	2,188	12	4,023	2,716	10	3,490	2,184	12	8,487	7,181	10
	3,582	14	4,769	3,201	12	4,550	2,983	12	6,783	5,215	10
	16,000	20 TC	17,554	9,560	24	16,070	8,076	22	17,751	9,757	12E
	30,000	28 TC	36,069	26,925	24 TC	34,585	25,441	22 TC	37,946	28,802	16
	42,000	32 TC	43,668	30,606	28 TC	45,648	32,585	26 TC	52,928	39,866	22
	55,000	36 TC	52,072	39,009	32 TC	59,447	46,384	30 TC	72,225	59,163	22
68,000	42 TC	80,291	67,228	36 TC	75,948	62,885	32 TC	75,225	62,163	22	
5.75	3,177	14	5,264	3,366	12	5,045	3,148	12	7,278	5,380	10
	3,582	14	4,769	2,871	12	4,550	2,653	12	6,783	4,885	10
	4,190	16	6,754	4,856	14	7,075	5,177	14	7,278	5,380	12A
	4,676	16	6,160	3,408	14	6,481	2,729	14	9,530	6,778	12B
	5,460	18	5,406	5,654	14	5,522	2,771	14	8,571	5,820	12B

Fail-Close Data

Maximum Stroke (in)	Spring End		Available force @ 60 psi			Available force @ 80 psi			Available force @ 100 psi			Spring
	ETC (lbs)	Bore	BTO (lbs)	ETO (lbs)	Bore	BTO (lbs)	ETO (lbs)	Bore	BTO (lbs)	ETO (lbs)	Canister	
5.75	17,000	18 TC	19,435	9,757	18 TC	19,435	9,757	16 TC	18,806	9,129	12E	
	29,000	28 TC	37,291	21,479	24 TC	35,807	19,994	22 TC	39,168	23,356	16	
	41,000	32 TC	44,891	29,078	28 TC	46,870	31,057	26 TC	54,150	38,338	22	
	53,000	36 TC	54,516	38,704	32 TC	61,891	46,079	28 TC	56,448	40,636	22	
	65,000	42 TC	83,958	68,145	36 TC	79,614	63,802	32 TC	78,892	63,079	22	
6.75	1,400	10	2,912	1,056	8	2,247	391	7	2,919	203	8	
	2,907	12	3,144	916	12	5,376	3,148	10	4,152	1,925	10	
	4,460	16	6,424	4,197	14	6,745	4,518	12	5,710	3,483	12A	
	7,380	14 TC	9,274	4,819	18	11,086	6,631	16	10,772	6,317	12C	
	11,600	24	12,541	5,116	24	15,667	8,242	14 TC	16,313	8,888	12D	
	23,000	24 TC	25,327	13,967	30	27,668	16,308	26	24,020	12,659	12E	
	33,000	30 TC	43,335	24,773	36	39,196	20,634	22 TC	34,279	15,717	22	
	43,000	36 TC	66,738	48,176	28 TC	44,425	25,863	36	46,856	28,294	22	
8.75	53,000	36 TC	54,516	35,954	32 TC	61,891	43,329	28 TC	56,448	37,886	22	
	63,000	42 TC	86,402	67,839	36 TC	82,059	63,496	32 TC	81,336	62,774	22	
	2,367	12	3,804	916	10	3,271	384	10	4,812	1,925	10	
	2,840	14	5,676	2,789	12	5,458	2,570	10	4,234	1,347	10	
	4,140	16	6,815	3,928	14	7,136	4,249	12	6,101	3,214	12A	
	5,760	18	8,040	3,853	16	4,607	4,607	14	8,205	4,018	12B	
	8,900	22	11,506	1,881	14 TC	8,794	3,890	18	14,255	4,630	12D	
	19,000	22 TC	21,545	6,819	28	25,268	10,542	24	21,310	6,584	12E	
	29,000	28 TC	37,291	13,229	24 TC	35,807	11,744	30	34,279	10,217	22	
	39,000	32 TC	47,335	23,273	28 TC	49,314	25,252	24 TC	41,397	17,335	22	
10.75	49,000	36 TC	59,405	35,343	30 TC	51,669	27,606	28 TC	61,337	37,275	22	
	59,000	42 TC	91,291	67,228	36 TC	86,948	62,885	30 TC	67,336	43,274	22	
	3,500	14	4,869	1,322	12	4,651	1,104	12	6,883	3,336	12A	
	5,300	18	8,602	3,458	14	5,718	575	14	8,768	3,624	12B	
	8,800	24	15,964	4,139	14 TC	13,637	1,812	18	14,377	2,552	12D	
	11,554	28	22,246	4,154	24	21,504	3,412	22	23,185	5,093	12E	
	14,308	30	24,347	6,254	18 TC	22,725	4,633	22	19,819	1,727	12E	
	22,000	24 TC	26,550	5,856	30	28,890	8,196	18 TC	23,377	2,683	16	
	30,000	28 TC	36,069	6,506	24 TC	34,585	5,022	30	33,057	3,494	22	
	38,000	32 TC	48,557	18,995	28 TC	50,536	20,974	24 TC	42,620	13,057	22	
46,000	36 TC	63,072	33,509	42	52,712	23,150	26 TC	48,039	18,477	22		
54,000	42 TC	97,402	67,839	32 TC	60,669	31,106	28 TC	55,226	25,664	22		

Fail-Open Data

Maximum Stroke (in)	Spring Start		Spring End		Available force @ 60 psi			Available force @ 80 psi			Available force @ 100 psi			Spring (#)
	BTO (lbs)	ETO (lbs)	Bore	ETC (lbs)	BTC (lbs)	Bore	ETC (lbs)	BTC (lbs)	Bore	ETC (lbs)	BTC (lbs)	Canister		
2.75	921	300	6	523	1,283	6	1,073	1,832	6	1,623	2,382	4		
	1,146	525	7	385	1,620	6	798	1,557	6	1,348	2,107	4		
	1,371	750	8	861	2,052	7	1,340	2,099	6	1,073	1,832	4		
	1,675	1,180	10	723	3,181	8	1,911	2,516	7	1,723	2,328	6		
	2,035	1,540	10	586	2,741	10	3,677	4,282	8	2,461	3,066	6		
	17,475	15,000	30	15,752	23,501	18 TC	18,854	21,879	16 TC	16,226	21,251	12D		
	34,331	30,000	42	30,775	45,034	36	37,569	42,863	32	37,208	42,501	16		
	50,188	44,000	36 TC	57,954	65,516	30 TC	50,218	57,780	28 TC	59,886	67,448	22		
	64,188	58,000	42 TC	84,951	92,513	36 TC	80,607	88,170	32	79,885	87,447	22		
78,188	72,000				42 TC	122,307	129,869	36 TC	103,261	110,823	22			
3.75	1,397	550	8	1,261	2,297	7	1,308	2,344	6	1,041	2,077			
	1,675	1,000	10	2,576	3,401	8	1,911	2,736	7	1,723	2,548	6		
	2,188	1,513	10	1,949	2,774	10	3,490	4,315	8	2,274	3,099	6		
	3,032	2,188	12	2,991	4,023	10	2,459	3,490	10	4,000	5,031	8		
	4,190	3,177	14	4,027	5,264	12	3,808	5,046	12	6,041	7,278	10		
	19,375	16,000	22 TC	21,087	25,212	28	24,810	28,935	24	20,851	24,976	12D		
	35,906	30,000	32	37,816	45,034	36	35,644	42,863	32	35,283	42,501	16		
	51,438	43,000	36 TC	56,426	66,738	30 TC	48,690	59,002	28 TC	58,358	68,671	22		
	65,438	57,000	36 TC	83,423	93,735	36 TC	79,080	89,392	32 TC	78,357	88,669	22		
78,438	70,000				42 TC	122,001	132,314	36 TC	102,955	113,268	22			
4.75	1,675	820	10	2,576	3,621	7	969	2,014	7	1,723	2,768	6		
	1,945	1,090	10	2,246	3,291	8	1,581	2,626	7	1,393	2,438	6		
	2,694	1,625	12	3,404	4,711	10	2,872	4,178	10	4,413	5,719	8		
	3,257	2,188	12	2,716	4,023	12	4,949	6,255	10	3,725	5,031	8		
	4,865	3,582	16	5,930	7,497	14	6,251	7,818	12	9,300	10,867	10		
	22,541	16,000	32	19,951	27,945	28	20,941	28,935	18 TC	22,716	30,710	12E		
	37,481	30,000	30 TC	37,858	47,002	26 TC	37,599	46,743	24 TC	43,254	52,397	16		
	52,688	42,000	36 TC	54,898	67,961	32 TC	62,273	62,273	28 TC	56,830	69,893	22		
	65,688	55,000	42 TC	83,117	96,180	36 TC	78,774	91,836	32 TC	78,051	91,114	22		
96,180	68,000				42 TC	121,696	134,758	36 TC	102,650	115,712	22			
5.75	4,730	3,177	16	6,095	7,992	14	6,416	8,313	12	5,381	7,278	10		
	5,135	3,582	16	5,600	7,497	14	5,921	7,818	12	4,886	6,783	10		
	5,743	4,190	18	8,061	9,959	14	5,178	7,075	14	8,227	10,124	10		
	6,229	4,676	18	7,467	9,365	16	8,221	10,119	14	7,633	9,530	12A		
	7,711	5,460	14 TC	8,870	11,621	16	6,409	9,160	16	10,367	13,119	12B		

Fail-Open Data

Maximum Stroke (in)	Spring Start		Spring End		Available force @ 60 psi			Available force @ 80 psi			Available force @ 100 psi			Spring (#)
	BTO (lbs)	ETC (lbs)	Bore	ETC (lbs)	BTC (lbs)	Bore	ETC (lbs)	BTC (lbs)	Bore	ETC (lbs)	BTS (lbs)	Canister		
5.75	24,918	17,000	24 TC	22,983	32,661	30	25,324	35,001	18 TC	19,810	29,488	12 E		
	37,056	28,000	42	36,410	47,479	36	34,238	45,307	32	33,877	44,946	16		
	49,938	37,000	36 TC	58,259	74,072	42	47,900	63,712	26 TC	43,227	59,039	22		
	60,938	48,000	42 TC	88,923	104,735	36 TC	84,580	100,392	42	61,689	77,502	22		
	71,988	59,000	42 TC	75,478	91,291	36 TC	71,135	86,948	32 TC	70,413	86,225	22		
6.75	2,919	1,400	12	3,129	4,986	10	2,597	4,453	10	4,138	5,994	8		
	4,730	2,907	16	6,095	8,322	14	6,416	8,643	12	5,381	7,608	10		
	6,283	4,460	18	7,401	9,629	16	8,155	10,383	14	7,567	9,794	12 A		
	11,025	7,380	22	8,909	13,364	14 TC	10,917	15,372	18	11,658	16,113	12 C		
	17,675	11,600	28	14,765	22,190	24	14,023	21,448	22	15,704	23,129	12 D		
	28,295	19,000	36	25,065	36,425	22 TC	25,108	36,468	28	26,031	37,391	12 E		
	38,631	28,000	30 TC	36,452	49,446	26 TC	36,193	49,187	32	31,952	44,946	16		
	52,188	37,000	36 TC	55,509	74,072	42	45,150	63,712	28 TC	57,441	76,004	22		
	61,188	46,000	42 TC	88,617	107,180	36 TC	84,274	102,836	42	61,384	79,946	22		
70,188	55,000	42 TC	77,617	96,180	36 TC	73,274	91,836	36 TC	113,039	131,601	22			
8.75	4,730	2,367	14	3,367	6,254	12	3,148	6,036	12	5,381	8,268	10		
	5,203	2,840	16	5,517	8,404	14	5,838	8,725	12	4,803	7,690	10		
	6,503	4,140	18	7,132	10,020	16	7,886	10,774	14	7,298	10,185	12 A		
	9,186	5,760	14 TC	7,067	11,254	18	8,879	13,066	16	8,565	12,752	12 B		
	16,775	8,900	28	15,865	25,490	16 TC	11,164	20,789	20	10,422	20,047	12 D		
	31,049	19,000	26 TC	24,608	39,335	32	25,386	40,112	28	22,665	37,391	12 E		
	47,688	28,000	32 TC	36,717	60,779	28 TC	38,696	62,759	36	41,127	65,189	22		
	56,688	37,000	36 TC	50,009	74,072	32 TC	57,384	2,872	28 TC	51,941	76,004	22		
	65,688	46,000	42 TC	83,117	107,180	36 TC	78,774	102,836	42	55,884	79,946	22		
74,688	55,000	42 TC	72,117	96,180	36 TC	67,774	91,836	32 TC	67,051	91,114	22			
10.75	6,403	3,500	18	7,254	10,802	14	4,371	7,918	14	7,420	10,968			
	9,509	5,300	14 TC	6,673	11,817	18	8,485	13,628	16	8,170	13,314	12 B		
	18,475	8,800	28	13,787	25,612	24	13,045	24,870	22	14,726	26,551	12 D		
	26,357	11,554	24 TC	21,225	39,317	28	16,277	34,369	18 TC	18,052	36,144	12 E		
	29,111	14,308	36	24,067	42,159	30	20,199	38,291	28	25,033	43,125	12 E		
	38,931	22,000	42	34,118	54,812	36	31,947	52,640	22 TC	27,030	47,724	16		
	53,188	29,000	36 TC	54,287	83,850	42	43,928	73,490	26 TC	39,255	68,817	22		
	60,188	36,000	42 TC	89,839	119,402	32 TC	53,106	82,669	28 TC	47,664	77,226	22		
	67,188	43,000	42 TC	81,284	110,846	36 TC	76,941	106,503	42	54,050	83,613	22		
74,188	50,000	42 TC	72,728	102,291	36 TC	68,385	97,948	32 TC	67,663	97,225	22			

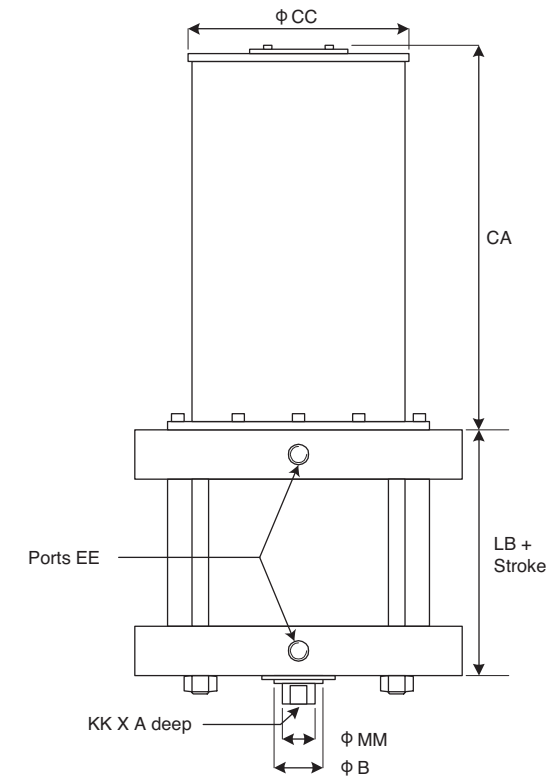
Actuator Dimensions (Single-Stage)

Cylinder Dimensions (in)							Weight (lbs)		Thrust Values (lbs)			ISO or MSS Mounting Pattern*	
BORE	A	B	EE	LB	KK	MM	BASE	PER-IN	60 PSI	80 PSI	100 PSI	STD	OPT
6	1.75	1.50	1/4	4.50	5/8-18	1.00	53	0.82	1,649	2,199	2,749	F/FA07	
7	1.75	1.50	3/8	4.00	5/8-18	1.00	55	0.97	2,262	3,016	3,770	F/FA07	
8	1.75	1.50	3/8	4.00	5/8-18	1.00	69	0.99	2,969	3,958	4,948	F/FA10	F/FA07
10	2.25	2.00	1/2	4.13	1-14	1.38	131	1.73	4,623	6,164	7,705	F/FA10	F/FA07
12	2.25	2.00	1/2	4.50	1-14	1.38	207	1.81	6,697	8,929	11,161	F/FA14	F/FA10
14	2.25	2.00	1/2	5.25	1-14	1.38	304	2.06	9,147	12,196	15,245	F/FA14	F/FA10
16	2.25	2.63	1/2	5.75	21/4-12	2.00	448	3.65	11,875	15,834	19,792	F/FA14	F/FA10
18	2.25	2.63	3/4	5.75	21/4-12	2.00	560	3.76	15,080	20,106	25,133	F/FA16	F/FA14
20	2.25	3.13	3/4	6.50	21/4-12	2.50	778	5.56	18,555	24,740	30,925	F/FA16	F/FA14
22	3.50	3.75	3/4	7.50	21/4-12	3.00	1,031	7.19	22,384	29,845	37,306	F/FA25	F/FA16
24	3.50	3.75	3/4	8.50	21/4-12	3.00	1,384	7.33	26,719	35,626	44,532	F/FA25	F/FA16
26	3.50	4.25	3/4	9.50	21/4-12	3.50	1,841	9.24	31,278	41,705	52,131	F/FA30	F/FA25
28	3.50	4.25	3/4	13.00	21/4-12	3.50	2,944	9.71	36,368	48,490	60,613	F/FA25	F/FA30
30	3.50	4.25	3/4	13.00	21/4-12	3.50	3,320	9.85	41,834	55,779	69,724	F/FA25	F/FA30

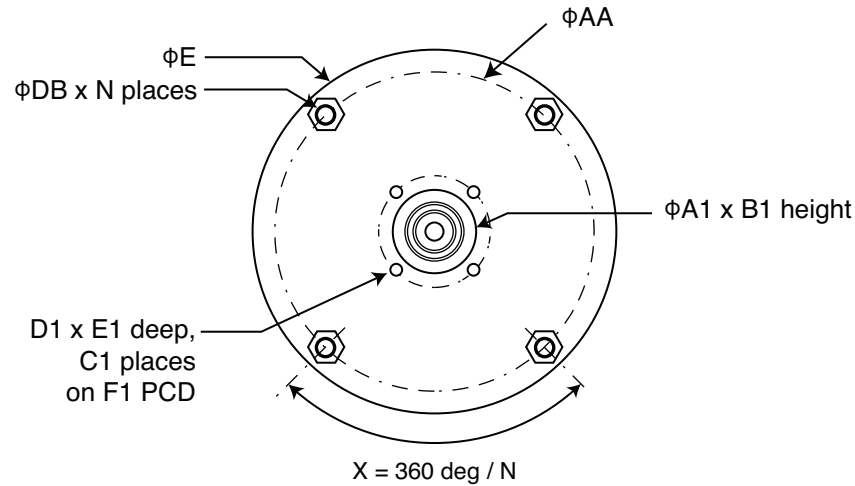
* Assembly Weight FAIL CLOSE = Base# + (Per-IN# X STROKE) + FAIL CLOSE#

* Assembly Weight FAIL OPEN = Base# + (Per-IN# X STROKE) + FAIL OPEN#

AS Spring Canister Dimensions (in)			Weight (lbs)	
Canister	CA	CC	FAIL CLOSE	FAIL OPEN
4	16.50	6.75	43	47
6	21.69	7.25	77	87
8	26.75	9.00	145	157
10	32.75	10.50	232	262
12A	40.75	13.50	490	605
12B	42.00	13.50	593	708
12C	40.50	13.50	609	724
12D	51.25	13.50	803	918
12E	60.50	13.50	1,020	1,135



Actuator Dimensions (Flange Mounting)



Cylinder Dimensions (in)				
Bore	DB	N	E	AA
6	1/2-20	4	8.13	7.00
7	5/8-18	4	9.25	8.13
8	5/8-18	4	10.38	9.13
10	3/4-16	4	12.75	11.25
12	3/4-16	4	15.75	13.38
14 & 14TC	7/8-14	4	17.25	15.50
16 & 16TC	7/8-14	6	19.88	17.88
18 & 18TC	7/8-14	6	22.25	20.00
20 & 20TC	7/8-14	10	24.50	22.50
22 & 22TC	7/8-14	10	26.50	24.50
24 & 24TC	7/8-14	10	28.50	26.50
26 & 26TC	7/8-14	12	31.75	28.75
28 & 28TC	7/8-14	14	33.63	30.63
30 & 30TC	7/8-14	14	35.63	32.63

MSS Flange Mounting Dimensions (in)							
MSS FLANGE	MAX. THRUST (lbs.)	A1	B1	C1	D1	E1	F1
FA07	4,500	2.10	0.12	4	5/16-18	11/16	2.75
FA10	9,000	2.30	0.12	4	3/8-16	11/16	4.00
FA14	25,000	3.75	0.16	4	5/8-11	13/16	5.50
FA16	35,000	5.00	0.19	4	3/4-10	11/8	6.50
FA25	50,000	6.00	0.19	8	5/8-11	11/8	10.00
FA30	75,000	7.00	0.19	8	3/4-10	11/8	11.75
FA35	140,000	8.50	0.19	8	1-8	11/4	14.00

ISO Flange Mounting Dimensions (mm)							
ISO FLANGE	MAX. THRUST (N)	A1	B1	C1	D1	E1	F1
F07	19,995	55	3	4	M8	11	70
F10	39,990	70	3	4	M10	16	102
F14	99,996	99	4	4	M16	19	140
F16	150,007	130	5	4	M20	22	165
F25	200,010	200	5	8	M16	22	254
F30	325,014	229	5	8	M20	22	297
F35	700,034	260	5	8	M30	22	356

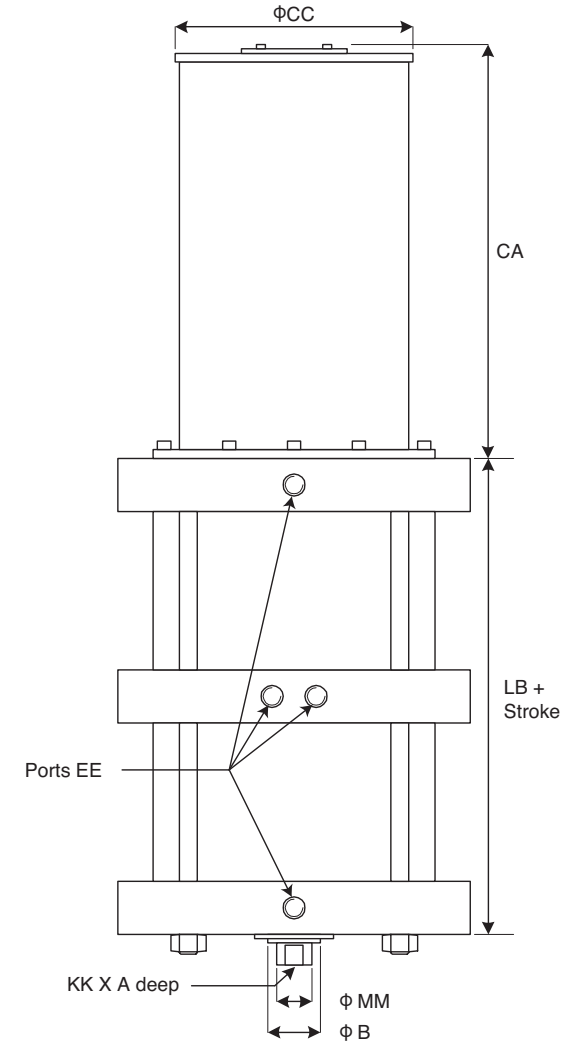
Actuator Dimensions *(Tandem)*

Tandem Cylinder Dimensions (in)							Weight (lbs)		Thrust Values (lbs)			ISO or MSS Mounting Pattern*	
BORE	A	B	EE	LB	KK	MM	BASE	PER-IN	60 PSI	80 PSI	100 PSI	STD	OPT
14	2.25	2.00	1/2	9.00	1-14	1.38	506	3.03	18,294	24,392	30,491	F/FA16	F/FA14
16	2.25	2.63	1/2	9.75	11/4-12	2.00	740	5.4	23,750	31,667	39,584	F/FA25	F/FA16
18	2.25	2.63	3/4	9.75	11/4-12	2.00	925	5.61	30,159	40,212	50,265	F/FA30	F/FA25
20	2.25	3.13	3/4	11.00	11/4-12	2.50	1,285	8.04	37,110	49,480	61,850	F/FA30	F/FA25
22	3.50	3.75	3/4	13.00	21/4-12	3.00	1,749	10.69	44,768	59,690	74,613	F/FA30	F/FA25
24	3.50	3.75	3/4	14.50	21/4-12	3.00	2,315	10.96	53,438	71,251	89,064	F/FA35	F/FA30
26	3.50	4.25	3/4	16.50	21/4-12	3.50	3,125	13.73	62,557	83,409	104,262	F/FA35	F/FA30
28	3.50	4.25	3/4	22.00	21/4-12	3.50	4,882	14.34	72,736	96,981	121,226	F/FA35	F/FA30
30	3.50	4.25	3/4	22.00	21/4-12	3.50	5,510	14.61	83,668	111,558	139,447	F/FA35	F/FA30

* Assembly Weight FAIL CLOSE = Base# + (Per-IN# X STROKE) + FAIL CLOSE#

* Assembly Weight FAIL OPEN = Base# + (Per-IN# X STROKE) + FAIL OPEN#

AS Spring Canister Dimensions (in)			Weight (lbs)	
Canister	CA	CC	FAIL CLOSE	FAIL OPEN
4	16.50	6.75	43	47
6	21.69	7.25	77	87
8	26.75	9.00	145	157
10	32.75	10.50	232	262
12A	40.75	13.50	490	605
12B	42.00	13.50	593	708
12C	40.50	13.50	609	724
12D	51.25	13.50	803	918
12E	60.50	13.50	1,020	1,135



Material Breakdown

Material Breakdown	Standard	Corrosion Resistant
Head and Cap	A-36 hot rolled steel	316
Barrel (Air-Stage)	Composite	Composite
Piston 6" to 8"	Aluminum	Aluminum
Piston 10" and above	Mild Steel	Mild Steel
Piston Rod	1045	316
Gland	SAE 660	Delrin
Canister	Steel	316
Spring	High Strength Steel	High Strength Steel
Tie Rod 6" to 10"	C12L14	316
Tie Rod 12" and above	ASTM A311B	17-4

World Area Configuration Centers (WACC) offer sales support, service, inventory and commissioning to our global customers. Choose the WACC or sales office nearest you:

NORTH & SOUTH AMERICA

19200 Northwest Freeway
Houston TX 77065
USA
T +1 281 477 4100
F +1 281 477 2809

Av. Hollingsworth
325 Iporanga Sorocaba
SP 18087-105
Brazil
T +55 15 3238 3788
F +55 15 3228 3300

ASIA PACIFIC

No. 9 Gul Road
#01-02 Singapore 629361
T +65 6777 8211
F +65 6268 0028

No. 1 Lai Yuan Road
Wuqing Development Area
Tianjin 301700
P. R. China
T +86 22 8212 3300
F +86 22 8212 3308

MIDDLE EAST & AFRICA

P. O. Box 17033
Dubai
United Arab Emirates
T +971 4 811 8100
F +971 4 886 5465

P. O. Box 10305
Jubail 31961
Saudi Arabia
T +966 3 340 8650
F +966 3 340 8790

24 Angus Crescent
Longmeadow Business Estate East
P.O. Box 6908 Greenstone
1616 Modderfontein Extension 5
South Africa
T +27 11 451 3700
F +27 11 451 3800

EUROPE

Berenyi u. 72- 100
Videoton Industry Park
Building #230
Székesfehérvár 8000
Hungary
T +36 22 53 09 50
F +36 22 54 37 00

For complete list of sales and manufacturing sites, please visit www.emerson.com/actuationtechnologieslocations or contact us at info.actuationtechnologies@emerson.com

www.emerson.com/bettis

©2017 Emerson. All rights reserved.

The Emerson logo is a trademark and service mark of Emerson Electric Co. Bettis™ is a mark of one of the Emerson family of companies. All other marks are property of their respective owners.

The contents of this publication are presented for information purposes only, and while every effort has been made to ensure their accuracy, they are not to be construed as warranties or guarantees, express or implied, regarding the products or services described herein or their use or applicability. All sales are governed by our terms and conditions, which are available on request. We reserve the right to modify or improve the designs or specifications of our products at any time without notice.