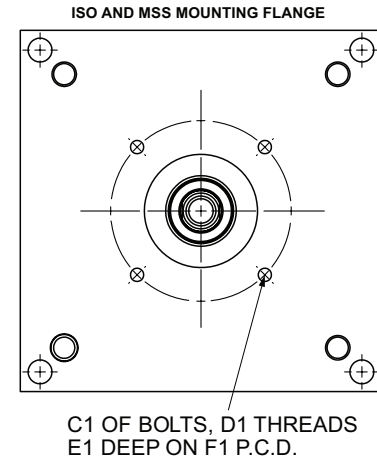
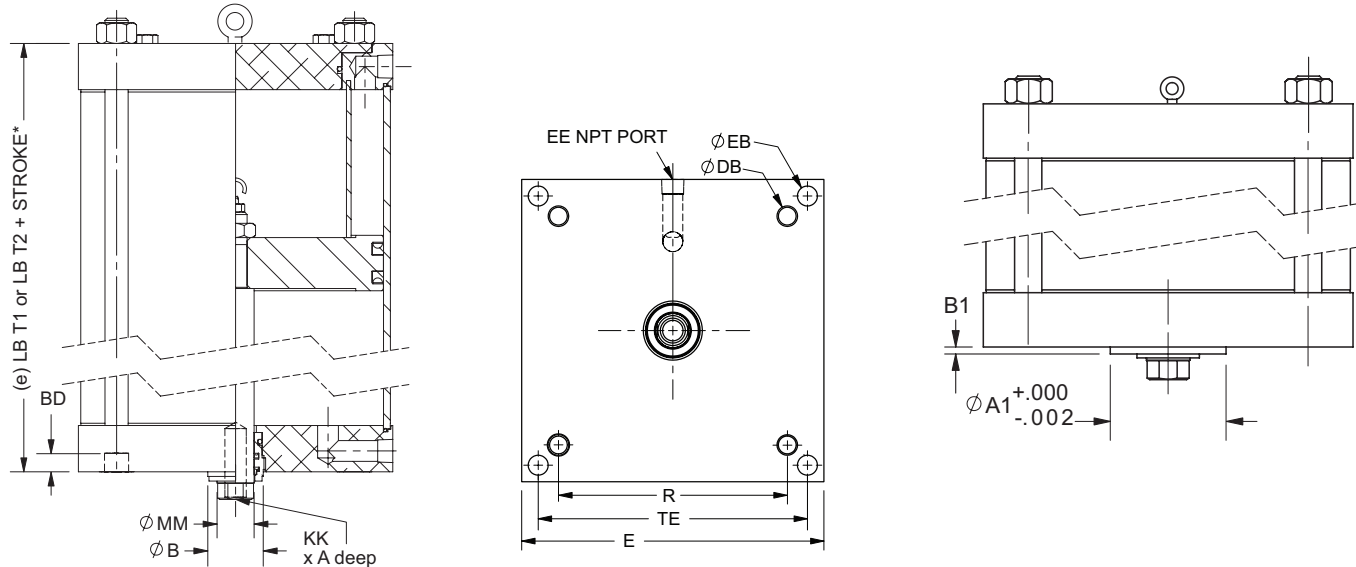


# Bettis GVO-C Series

## GVO-CLP-T Pneumatic Actuators



## Actuator Dimensions (5" to 26" Bore)



BORE	Actuator Dimensions (in)													Thrust Values (lbs)			ISO or MSS Mounting Pattern*	
	A	B	BD	DB	E	EE	KK	R	LBT1	LBT2	MM	TE	W	60 PSI	80 PSI	100 PSI	STD	OPT
5	1.75	1.50	3/4	1/2-20	5.50	1/4	5/8-18	3.32	N/A	8.88	1.00	N/A	0.75	1,131	1,508	1,885	F/FA07	
6	1.75	1.50	7/8	1/2-20	6.50	1/4	5/8-18	4.10	N/A	9.38	1.00	N/A	0.75	1,649	2,199	2,749	F/FA07	
7	1.75	1.50	1/2	5/8-18	7.50	3/8	5/8-18	4.88	N/A	8.88	1.00	N/A	0.75	2,262	3,016	3,770	F/FA07	
8	1.75	1.50	N/A	5/8-18	8.50	3/8	5/8-18	N/A	9.50	8.88	1.00	7.60	0.75	2,969	3,958	4,948	F/FA10	F/FA07
10	2.25	2.00	N/A	3/4-16	10.75	1/2	1-14	N/A	9.63	9.00	1.38	9.40	0.88	4,623	6,164	7,705	F/FA10	F/FA07
12	2.25	2.00	N/A	3/4-16	12.75	1/2	1-14	N/A	10.00	9.38	1.38	11.10	0.88	6,697	8,929	11,161	F/FA14	F/FA10
14	2.25	2.00	N/A	7/8-14	14.88	1/2	1-14	N/A	10.75	10.13	1.38	12.87	0.88	9,147	12,196	15,245	F/FA14	F/FA10
16	2.25	2.63	N/A	1-14	17.00	3/4	1 1/4-12	N/A	11.25	10.63	2.00	14.85	1.13	11,875	15,834	19,792	F/FA14	F/FA10
18	2.25	2.63	N/A	1 1/8-12	19.00	3/4	1 1/4-12	N/A	11.25	10.63	2.00	16.70	1.13	15,080	20,106	25,133	F/FA16	F/FA14
20	2.25	3.13	N/A	1 1/4-12	21.00	3/4	1 1/4-12	N/A	12.00	11.38	2.50	18.40	1.13	18,555	24,740	30,925	F/FA16	F/FA14
24	3.50	3.75	N/A	1 1/4-12	25.25	3/4	2 1/4-12	N/A	14.00	13.38	3.00	21.75	1.25	26,719	35,626	44,532	F/FA25	F/FA16
26	3.50	4.25	N/A	1 1/2-12	27.50	3/4	2 1/4-12	N/A	15.00	9.50	3.50	23.34	1.25	31,278	41,705	52,131	F/FA30	F/FA25

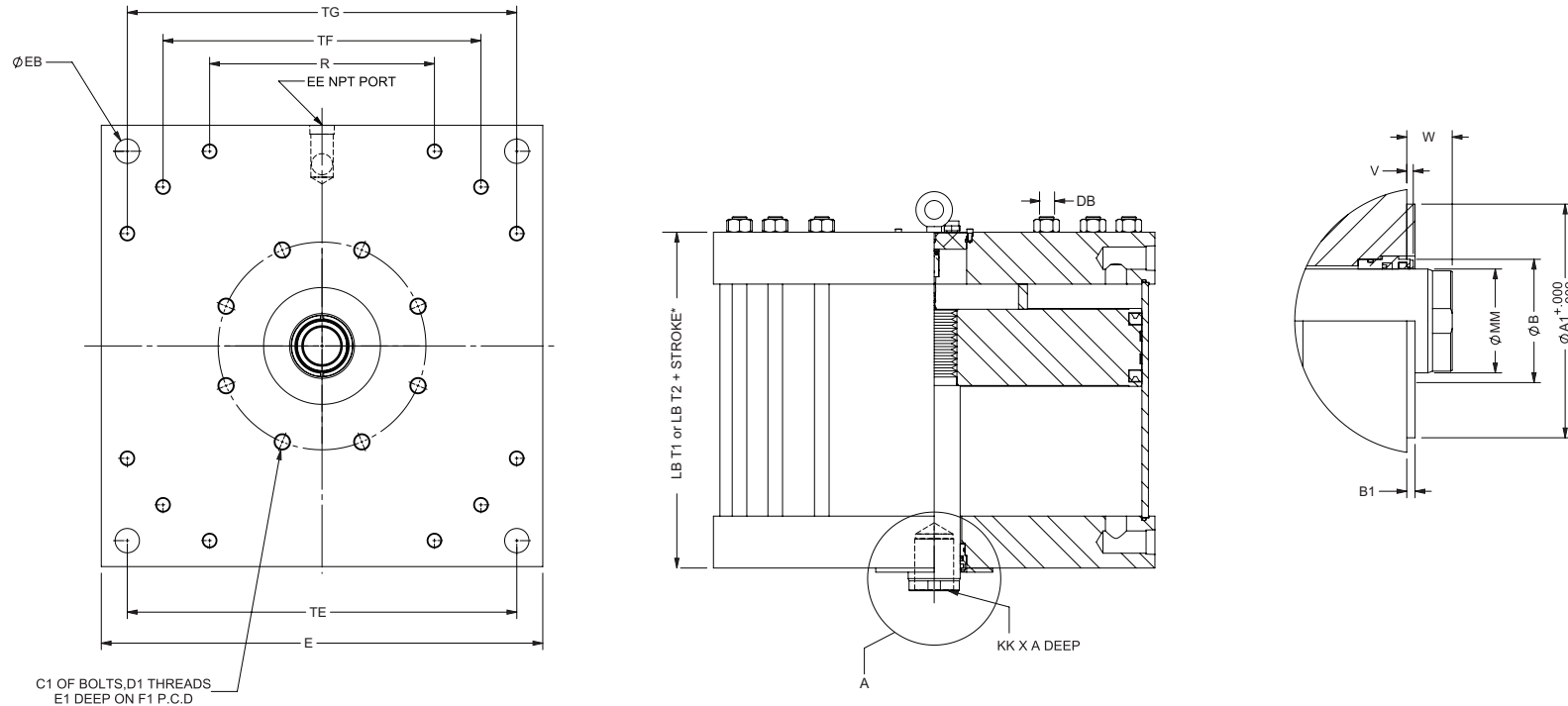
Consult factory for more detailed dimensions \*Other Mounting Patterns are available; consult factory

MSS Flange Mounting Dimensions (in)							
MSS FLANGE	MAX. THRUST (lbs.)	A1	B1	C1	D1	E1	F1
FA07	4,500	2.10	0.12	4	5/16-18	1 1/16	2.75
FA10	9,000	2.30	0.12	4	3/8-16	1 1/16	4.00
FA14	25,000	3.75	0.16	4	5/8-11	1 3/16	5.50
FA16	35,000	5.00	0.19	4	3/4-10	1 1/8	6.50
FA25	50,000	6.00	0.19	8	5/8-11	1 1/8	10.00
FA30	75,000	7.00	0.19	8	3/4-10	1 1/8	11.75
FA35	140,000	8.50	0.19	8	1-8	1 1/4	14.00
FA40	230,000	9.00	0.32	8	1 1/4-7	1 1/2	16.00

ISO Flange Mounting Dimensions (mm)							
ISO FLANGE	MAX. THRUST (N)	A1	B1	C1	D1	E1	F1
F07	19,995	55	3	4	M8	11	70
F10	39,990	70	3	4	M10	16	102
F14	99,996	99	4	4	M16	19	140
F16	150,007	130	5	4	M20	22	165
F25	200,010	200	5	8	M16	22	254
F30	325,014	229	5	8	M20	22	297
F35	700,034	260	5	8	M30	22	356
F40	1,100,054	300	8	8	M36	22	406

\*Thrust of up to 425,000 lbs available. Consult factory for dimensions

## Actuator Dimensions (28" to 42" Bore)



BORE	Actuator Dimensions (in)																Thrust Values (lbs)			ISO or MSS Mounting Pattern*		
	A	B	DB	E	EB	EE	KK	LB	LB T1	LB T2	MM	V	W	R	TE	TF	TG	60 PSI	80 PSI	100 PSI	STD	OPT
28	3.50	4.25	8x1 $\frac{1}{8}$ -12	31.25	1.56	$\frac{3}{4}$	2 $\frac{1}{4}$ -12UN	12.25	17.00	17.00	3.50	0.25	1.25	17.60	26.00	25.00	N/A	36,368	48,490	60,613	F/FA25	F/FA30
30	3.50	4.25	8x1 $\frac{1}{8}$ -12	31.50	1.88	1 $\frac{1}{2}$ NP	2 $\frac{1}{4}$ -12UN	12.25	17.00	17.00	3.50	0.25	1.50	18.70	26.70	26.70	N/A	41,834	55,779	69,724	F/FA25	F/FA30
32	3.50	4.75	8x1 $\frac{1}{8}$ -12	34.00	1.88	1 $\frac{1}{2}$ NP	2 $\frac{3}{4}$ -12UN	14.00	16.00	16.00	4.00	0.25	1.75	17.30	30.00	30.00	N/A	47,501	63,334	79,168	F/FA30	F/FA35
36	4.50	6.25	12x1 $\frac{1}{8}$ -12	39.00	2.50	1 $\frac{1}{2}$ NP	4-12UN	20.00	20.00	20.00	5.50	0.25	1.75	13.30	33.00	27.60	36.60	59,647	79,529	99,412	F/FA30	F/FA35
42	4.50	6.25	12x1 $\frac{1}{8}$ -12	45.00	2.50	1 $\frac{1}{2}$ NP	4-12UN	20.00	20.00	20.00	5.50	0.25	1.75	15.40	38.00	31.80	42.30	81,701	108,935	136,168	F/FA30	F/FA35

Consult factory for more detailed dimensions

\*Other Mounting Patterns are available; consult factory

## Material Breakdown

Material Breakdown	Standard	Corrosion Resistant	AWWA
Head and cap	Aluminum	SS 316	Cad Plated
Barrel	Composite	Composite	SS 316
Piston	Aluminum Steel	Steel	Cad Plated
Piston rod	1045	SS 316	SS 316
Gland	SAE 660	Delrin	Delrin
Tie rod 4" to 10"	1045	SS 316	SS 316
Tie rod 12" and Above	1045	SS 17 - 4 PH	SS 17 - 4 PH

**World Area Configuration Centers (WACC) offer sales support, service, inventory and commissioning to our global customers. Choose the WACC or sales office nearest you:**

***NORTH & SOUTH AMERICA***

19200 Northwest Freeway  
Houston TX 77065  
USA  
T +1 281 477 4100  
F +1 281 477 2809

Av. Hollingsworth  
325 Iporanga Sorocaba  
SP 18087-105  
Brazil  
T +55 15 3238 3788  
F +55 15 3228 3300

***ASIA PACIFIC***

No. 9 Gul Road  
#01-02 Singapore 629361  
T +65 6777 8211  
F +65 6268 0028

No. 1 Lai Yuan Road  
Wuqing Development Area  
Tianjin 301700  
P. R. China  
T +86 22 8212 3300  
F +86 22 8212 3308

***MIDDLE EAST & AFRICA***

P. O. Box 17033  
Dubai  
United Arab Emirates  
T +971 4 811 8100  
F +971 4 886 5465

P. O. Box 10305  
Jubail 31961  
Saudi Arabia  
T +966 3 340 8650  
F +966 3 340 8790

24 Angus Crescent  
Longmeadow Business Estate East  
P.O. Box 6908 Greenstone  
1616 Modderfontein Extension 5  
South Africa  
T +27 11 451 3700  
F +27 11 451 3800

***EUROPE***

Berenyi u. 72- 100  
Videoton Industry Park  
Building #230  
Székesfehérvár 8000  
Hungary  
T +36 22 53 09 50  
F +36 22 54 37 00

For complete list of sales and manufacturing sites, please visit [www.emerson.com/actuationtechnologieslocations](http://www.emerson.com/actuationtechnologieslocations) or contact us at [info.actuationtechnologies@emerson.com](mailto:info.actuationtechnologies@emerson.com)

[www.emerson.com/bettis](http://www.emerson.com/bettis)

©2017 Emerson. All rights reserved.

The Emerson logo is a trademark and service mark of Emerson Electric Co. Bettis™ is a mark of one of the Emerson family of companies. All other marks are property of their respective owners.

The contents of this publication are presented for information purposes only, and while every effort has been made to ensure their accuracy, they are not to be construed as warranties or guarantees, express or implied, regarding the products or services described herein or their use or applicability. All sales are governed by our terms and conditions, which are available on request. We reserve the right to modify or improve the designs or specifications of our products at any time without notice.