

BETTIS™

Molecular Sieve Desiccant Dehydrator For Natural Gas



Effective Water &
H₂S Adsorption

Regenerable
Desiccant Bed

Conformance to
NACE MR-01-75

Reduces Fluid
Contamination

Increases
Equipment Life

Reduces Risk
of Hydrate
Formation

Reduces Gas
Supply
Freeze Off Risk

Bettis Model DD
(Standard Service)

Bettis Model DD-S
(Sour Service)



EMERSON. CONSIDER IT SOLVED.™

Molecular Sieve Characteristics

Molecular sieves are synthetically produced zeolites, a crystalline form of alkali metal (calcium, sodium, potassium) aluminosilicates, very similar to natural clays. They are highly porous, with a very narrow range of pore sizes and very high surface area per package volume. Manufactured by ion-exchange, molecular sieves possess highly localized polar charges on their surfaces that act as extremely effective adsorption sites for polar compounds such as water and hydrogen sulfide. Unlike other desiccants, molecular sieves exhibit a fairly constant rate of adsorption and equilibrium water capacity over a wide range of relative humidities. Molecular sieves are alkaline, so special acid resistant sieves are available for very sour gases.

Since the pore size range is narrow, molecular sieves exhibit selectively towards adsorbates on the basis of their molecular size, and tend not to adsorb bigger molecules such as the heavy hydrocarbons. The pore diameter of a molecular sieve is measured in angstroms, Å (1 micron = 10,000 angstroms). Molecular sieves offer a means of simultaneous dehydration and desulfurization and are therefore the best choice for sour gases.

Natural gas, whether at the well head or in the sales gas pipeline, almost always contains water vapor. Water content can range from extremely high at the well head and gathering system to the typical 4-5 lb. H₂O/MMscf in the sales gas line. Dehydration of supply gas, whether power, signal, or burner, can reduce the risk of contaminating hydraulic fluid, freeze offs and hydrate formation.

Hydrogen sulfide (H₂S), when present in natural gas, may

generate corrosive by-products at concentrations as low as 50 ppm. Natural gas containing H₂S may also contain carbon dioxide (CO₂) which is corrosive at concentrations as low as 0.7 wt %.

Molecular sieve 4A desiccant will adsorb H₂S and CO₂, thus reducing corrosion, increasing equipment life and reducing the foul odor associated with H₂S in vented gas.

Bettis Desiccant Dehydrators can be used to remove adsorbates from flows such as fuel, power, and signal gas streams and can also remove of water vapor from the power and/or signal gas of gas/hydraulic valve operators.

Features

- Effective adsorption of water and hydrogen sulfide
- Conformance to NACE MR-01-75 (optional)
- Molecular sieve desiccant bed can be regenerated
- Reduces the risk of hydrate formation
- Reduces the risk of power gas supply freeze off
- Reduces the risk of contaminating hydraulic fluid (in gas/hydraulic operators)
- Adsorption of hydrogen sulfide and carbon dioxide increases equipment life and reduces foul odors
- Can be used to remove adsorbates from flows such as fuel, power and signal gas streams
- Various sizes and desiccant types available
- Available in both standard and low temperature configurations

Typical Physical Characteristics

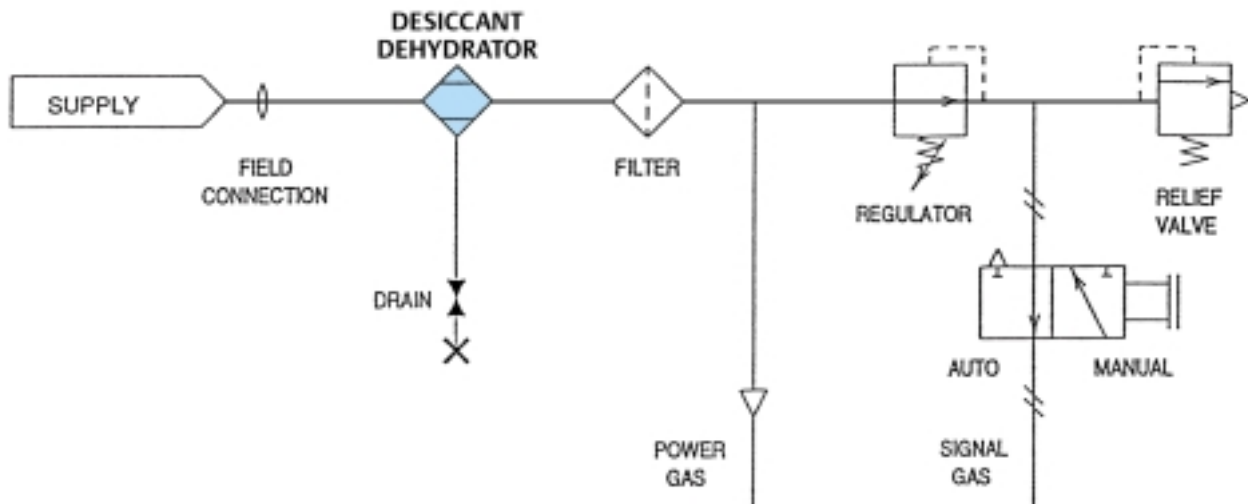
General

Available Pellet Diameters	1/16", 1/8"	Theoretical H ₂ O Adsorption Capacity by Weight at 60°F and 40% R.H.	22%
Operating Temp. Range	-80°F to 200°F	Operating Superficial Flow Veloc. Range	10 to 100 ft/min.
Heat of Adsorption	1800 max. BTU / lb. H ₂ O		

By Type

Desiccant Type	3A	4A	5A	13X
Pore Diameter (Å)	3	4	5	10
Zeolite	Potassium	Sodium	Calcium	Sodium
Bulk Density (lb./cu. ft.)	44	44	44	40
Typical Molecules Adsorbed (each type adsorbs listed compounds plus those of all types to the left)	H ₂ O, NH ₃	Ethanol, H ₂ S, CO ₂ , SO ₂ , C ₂ H ₄ , C ₂ H ₆ , C ₃ H ₆	n-C ₄ H ₉ OH, n-C ₄ H ₁₀ , C ₃ H ₈ , to C ₂₂ H ₄₆ , R-12	Molecules with effective diameters < 10Å

Typical Schematic of Power Gas Application



Models

Model	DD-1	DD-2	DD-3
Overall Size	NPS 3 X 24"	NPS 4 X 30"	NPS 6 X 36"
Capacity MS Desiccant Weight (lbs.)	2.05	4.05	12.98

Refer to **Product Manual** for sizing information.

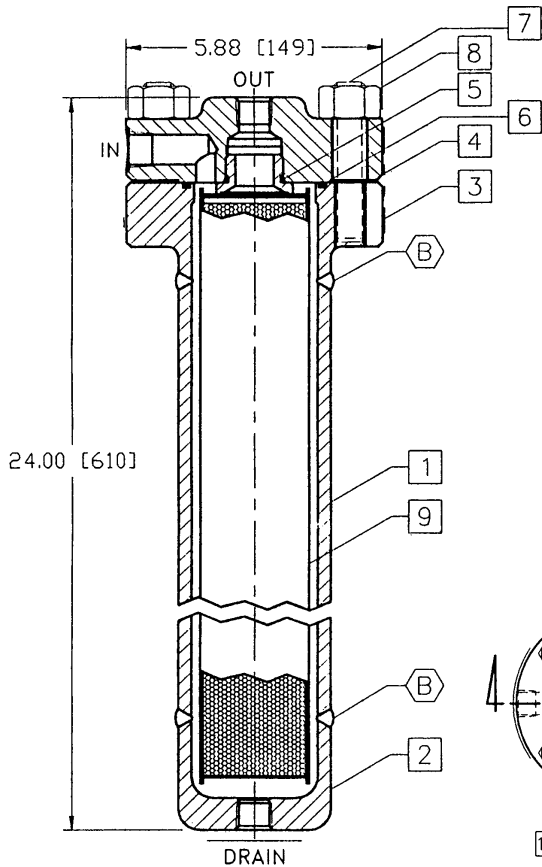
Specifications (All Models)

Maximum Allowable Working Pressure (Std. Service)	2220 psig
Maximum Allowable Working Pressure (Sour Service)	2220 psig
Temperature Rating (Standard Materials)	-20 to 150° F (-29 to 65° C)
Temperature Rating (Low Temp. Materials)	-50 to 150° F (-46 to 65° C)
Inlet Connection	1/2 NPT
Outlet Connection	1/2 NPT
Mounting	U-Bolt or free standing as required.

Testing/Registration

Flanged body Desiccant Dehydrator pressure vessels are designed, constructed and tested in accordance with ASME Section VIII Div. 1 requirements. Local regulatory approval, if required, is available. CRN Number OH3118.12

Cutaway Assembly Model DD-1F



Item	Description	Material	Qty.	Note
1	NPS 3 SMLS PIPE	SA-333-6	1	
2	NPS 3 FLAT HEAD	SA-350-LF2	1	
3	NPS 3 WELD NECK FLANGE	SA-350-LF2	1	
4	NPS 3 THD. RED. CAP	SA-350-LF2	1	
5	O-RING, FITTING	H-T Fluoro 70A	1	(Y)
6	O-RING, CAP	H-T Fluoro 70A	1	(Y)
7	STUD	SA-320-L7M	4	
8	NUT	SA-194-7M	4	
9	DESICCANT CARTRIDGE	SS 304	1	(Y)
10	DECAL (DE-PRESSURIZE BEFORE ...)	VINYL	1	
11	SHIPPING PLUG (LOOSENED)	A105	2	(H)
12	TEST PLUG (SEALED DRAIN)	A105	1	(H)
13	ASME NAMEPLATE (OPTIONAL)	AL/SS	1	

NOTE: (Y) RECOMMENDED SPARE PARTS, PART NO. SPRK-DD-1F
(H) NOT SHOWN

SPECIFICATIONS:	
PORTS:	1/2 NPT x 1/2 NPT x 1/2 NPT
SERVICE:	AIR, SWEET GAS, H ₂ S SOUR GAS
TEMP. RATING:	-46°C THRU 65°C
MASS:	50.8 lbm [23.0 kg]
OPTION:	DRAIN VALVE
MAWP:	1500 OR 2220 PSIG, AS SPEC'D
STD CARTRIDGE:	4A
EFFECTIVE Cv:	3.5 at 1000 PSIG INLET
COMPLIANCE WITH NACE MR-01-75, AND APPLICABLE PARTS OF ASME VIII-1	

H₂O Content of Natural Gas (lb. H₂O/MMscf)

Dewpoint (°F)	-20	-10	0	10	20	30	40	50	60	70
115 psia	4.75	7.25	11.50	18.00	29.00	40.00	62.00	90.00	125.00	170.00
515 psia	1.25	2.00	3.25	5.00	7.25	10.50	15.50	21.50	30.00	42.00
1015 psia	.75	1.25	1.75	3.00	4.25	6.00	9.00	13.00	18.00	25.00

World Area Configuration Centers (WACC) offer sales support, service, inventory and commissioning to our global customers. Choose the WACC or sales office nearest you:

NORTH & SOUTH AMERICA ASIA PACIFIC

19200 Northwest Freeway
Houston TX 77065
USA
T +1 281 477 4100
F +1 281 477 2809

Av. Hollingsworth
325 Iporanga Sorocaba
SP 18087-105
Brazil
T +55 15 3238 3788
F +55 15 3228 3300

No. 9 Gul Road
#01-02 Singapore 629361
T +65 6777 8211
F +65 6268 0028

No. 1 Lai Yuan Road
Wuqing Development Area
Tianjin 301700
P. R. China
T +86 22 8212 3300
F +86 22 8212 3308

MIDDLE EAST & AFRICA

P. O. Box 17033
Dubai
United Arab Emirates
T +971 4 811 8100
F +971 4 886 5465

P. O. Box 10305
Jubail 31961
Saudi Arabia
T +966 3 340 8650
F +966 3 340 8790

24 Angus Crescent
Longmeadow Business Estate East
P.O. Box 6908 Greenstone
1616 Modderfontein Extension 5
South Africa
T +27 11 451 3700
F +27 11 451 3800

EUROPE

Berenyi u. 72- 100
Videoton Industry Park
Building #230
Székesfehérvár 8000
Hungary
T +36 22 53 09 50
F +36 22 54 37 00

www.emerson.com/bettis

For complete list of sales and manufacturing sites, please visit www.emerson.com/actuationtechnologieslocations or contact us at info.actuationtechnologies@emerson.com

©2017 Emerson. All rights reserved.

The Emerson logo is a trademark and service mark of Emerson Electric Co. Bettis™ is a mark of one of the Emerson family of companies. All other marks are property of their respective owners.