

## Installation Instructions

D103400X012  
October 2009

## Bore Seal

The appropriate Fisher® instruction manual and warnings associated with that manual **must be read** prior to installation of the Fisher Bore Seal to ensure safe and proper disassembly and reassembly of the valve. Once the trim has been removed, follow the steps below to ensure proper installation of the Bore Seal.

1. Apply a suitable high-temperature lubricant to the inside diameter of the Bore Seal plug seal. Also, lubricate the outside diameter of the valve plug where the Bore Seal plug seal must be pressed into the proper sealing position (figure 1).

2. Orient the Bore Seal for correct sealing action based on the process fluid flow direction through the valve.

- The open interior of the Bore Seal must face up in a valve with flow-up construction (figure 1).

- The open interior of the Bore Seal must face down in a valve with flow-down construction (figure 2).

3. Place the Bore Seal plug seal over the top of the valve plug. The retainer will help guide the Bore Seal down onto the plug. Do not force the Bore Seal over the plug (figure 3). For flow down constructions, skip to step 5.

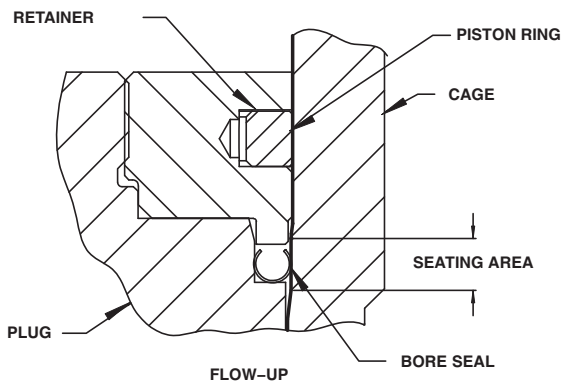


Figure 1. Flow-Up Fisher Bore Seal Construction

4. An installation tool must be inserted into the Bore Seal prior to using the retainer to guide it down the plug.

5. Apply a suitable high-temperature lubricant to the threads on the plug. Then, place the Bore Seal retainer onto the plug and tighten the retainer using an appropriate tool such as a strap wrench. For flow down constructions, skip to step 7.

6. Remove the retainer and then the installation tool. Place the Bore Seal retainer back onto the plug and tighten the retainer using an appropriate tool such as a strap wrench.

7. Using an appropriate tool such as a center punch, stake the threads on top of the plug in one place to secure the Bore Seal retainer.

8. Once the Bore Seal as been installed, please refer back to the appropriate Fisher valve body instruction manual to replace, machine, and/or reassemble all appropriate parts.

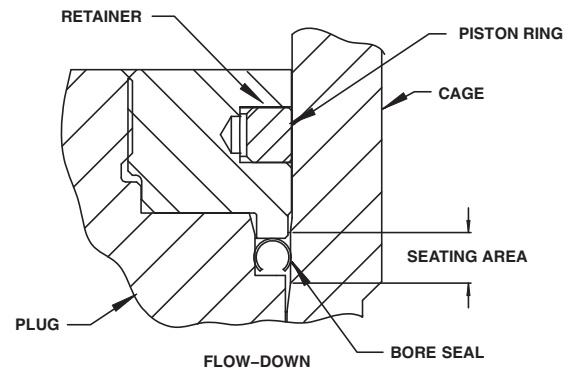


Figure 2. Flow-Down Fisher Bore Seal Construction

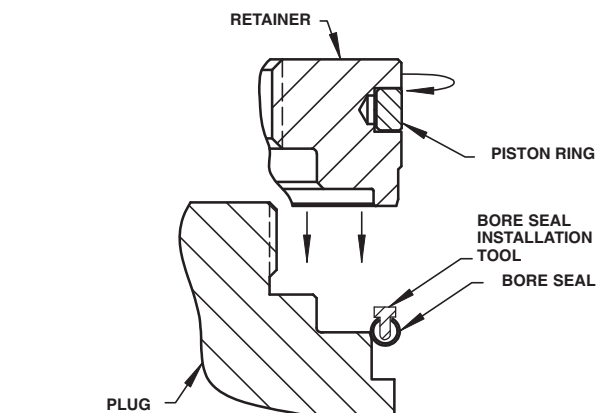
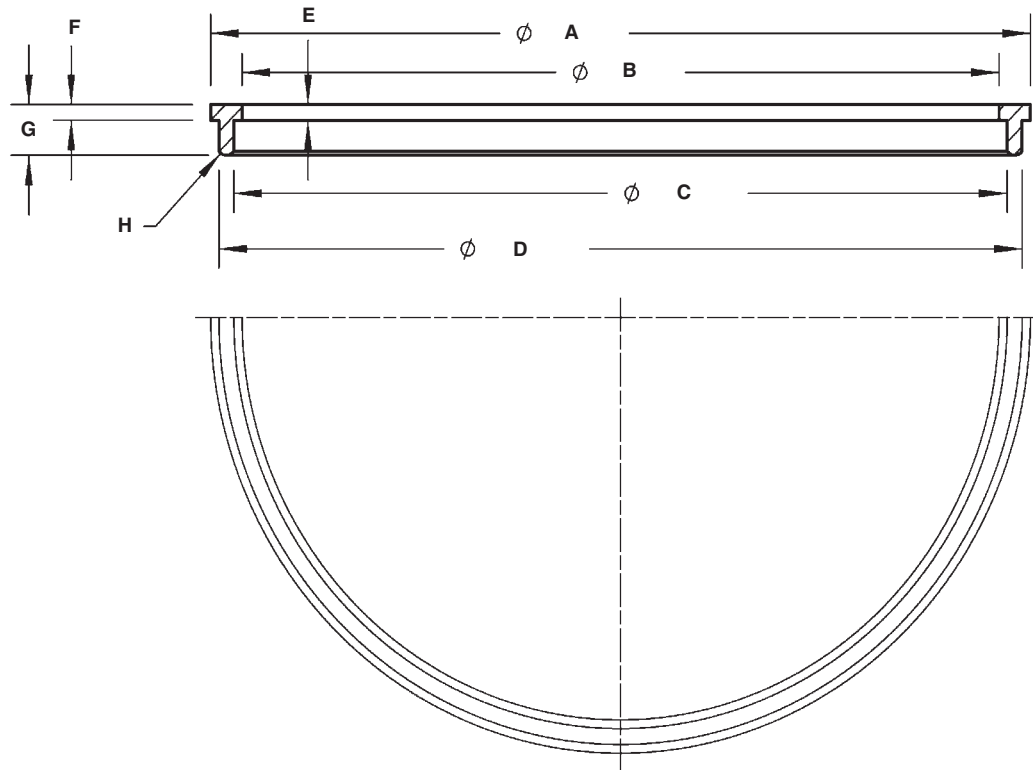


Figure 3. Retainer Guiding Fisher Bore Seal Onto the Plug





GE22109-A

Figure 4. Bore Seal Installation Tool

Table 1. Bore Seal Installation Tool Dimensions

VALVE PORT SIZE, INCH	Dimensions, Inches (See Figure 4)								Tool Part Number
	A	B	C	D	E	F	G	H	
3.4375	(1)								n/a
4.28	(1)								n/a
4.70	4.77	4.35	4.45-4.47	4.67-4.65	0.10	1.10	0.32	R.06	GE18267X012
5.1875	(1)								n/a
5.375	5.49	5.07	5.17-5.19	5.39-5.37	0.10	0.10	0.32	R.06	GE22109X012
6.25	6.34	5.92	6.02-6.04	6.24-6.22	0.10	0.10	0.32	R.06	GE18266X012
6.75	7.11	6.69	6.79-6.81	7.01-6.99	0.09	0.10	0.32	R.06	GE18264X012
7.00	7.11	6.69	6.79-6.81	7.01-6.99	0.09	0.10	0.32	R.06	GE18264X012
7.62	7.76	7.34	7.44-7.46	7.66-7.64	0.10	0.10	0.32	R.06	GE18263X012
7.75	(1)								n/a
8.00	(1)								n/a
8.8125	(1)								n/a
9.20	9.39	8.97	9.07-9.09	9.29-9.27	0.10	0.10	0.32	R.06	GE17916X012
9.9375	(1)								n/a
10.00	10.12	9.7	9.80-9.82	10.02-10.00	0.10	0.10	0.32	R.06	GE17914X012
10.8125	(1)								n/a
11.00	(1)								n/a
11.20	11.35	10.93	11.015-11.025	11.265-11.255	0.10	0.10	0.32	R.07	GE17905X012
13.75	(1)								n/a
13.875	14.84	14.424-14.416	14.516-14.536	14.736-14.716	0.1	0.1	0.32	R.05	GE34073X012
14.00	(1)								n/a
14.75	14.84	14.424-14.416	14.516-14.536	14.736-14.716	0.1	0.1	0.32	R.05	GE34073X012
14.875	(1)								n/a
16.70	(1)								n/a
16.9375	(1)								n/a
17.00	(1)								n/a
18.25	(1)								n/a
19.9375	(1)								n/a

1. For sizes, contact your Emerson Process Management sales office.

### Note

**Neither Emerson, Emerson Process Management, nor any of their affiliated entities assumes responsibility for the selection, use, or maintenance of any product. Responsibility for the selection, use, and maintenance of any product remains with the purchaser and end-user.**

Fisher is a mark owned by one of the companies in the Emerson Process Management business division of Emerson Electric Co. Emerson Process Management, Emerson, and the Emerson logo are trademarks and service marks of Emerson Electric Co. All other marks are the property of their respective owners.

The contents of this publication are presented for informational purposes only, and while every effort has been made to ensure their accuracy, they are not to be construed as warranties or guarantees, express or implied, regarding the products or services described herein or their use or applicability. All sales are governed by our terms and conditions, which are available upon request. We reserve the right to modify or improve the designs or specifications of such products at any time without notice. Neither Emerson, Emerson Process Management, nor any of their affiliated entities assume responsibility for the selection, use or maintenance of any product. Responsibility for proper selection, use, and maintenance of any product remains solely with the purchaser and end-user.

#### **Emerson Process Management**

Marshalltown, Iowa 50158 USA

Sorocaba, 18087 Brazil

Chatham, Kent ME4 4QZ UK

Dubai, United Arab Emirates

Singapore 128461 Singapore

[www.Fisher.com](http://www.Fisher.com)

