

Ultrasonic Vapor Degreasers

Overview

The Branson B-Series Ultrasonic Vapor Degreasers are a series of environmentally sound, cost effective precision degreasers. Branson, well known for ultrasonics, is also the global leader in solvent cleaning technology. The B-Series integrates over 60 years of degreasing experience with the demanding needs of a changing marketplace to offer you a functional solvent solution to your cleaning needs. They incorporate all of the important environmental and safety features you need, including onboard compressors for both primary and sub-zero cooling. All controls are clustered on compact, front-mounted, digital control panels. The B-Series is ideal for use with most commercially-available vapor degreasing solvents.

Environmental Features

The B-Series is designed to comply with EPA environmental regulations on solvent emissions, an important environmental and economic consideration. Some of these features also facilitate OSHA compliance. The units include, as standard, a number of engineered improvements designed specifically to minimize solvent losses. The following list details some of these more important features:

- Freeboard ratio of 100% to minimize diffusion losses due to drafts
- Sub-zero freeboard condenser to provide a cold barrier minimizing emissions
- Primary refrigerated condensing coil to efficiently condense the bulk of the solvent vapors prior to reaching the sub-zero condenser
- Captured sliding cover to eliminate drafts and help seal the unit during periods of inactivity
- Internal water separator keeps all solvent within the unit at all times
- Recirculating pump and filter to remove particulate and extend solvent life



Safety Features

In addition to the benefits associated with keeping solvent away from the operator, the B-Series has many other features which contribute to safety and reliability. Key among these are:

- Low voltage controls for operator safety
- High-vapor level sensor to prevent solvent boil off
- Low solvent sensor to prevent heater damage
- Boil Sump over temperature alarm

Options

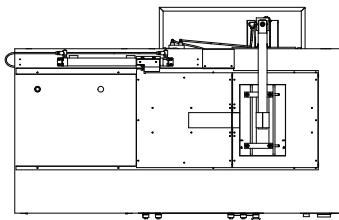
- Automated Hoist Systems
- Stainless Steel Parts Baskets
- Rotating Parts Baskets
- Desiccant Dryer for Azeotropic Solvents
- Power-Operated Sliding Cover
- Upper Enclosure System
- Solvents Spraying
- High-Frequency Ultrasonics

The Branson Advantage

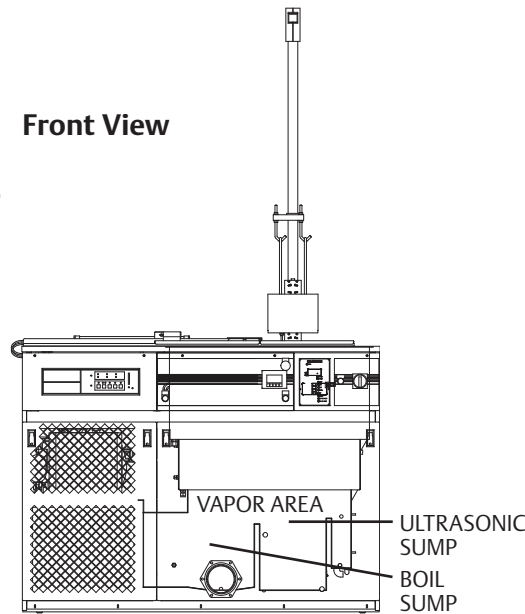
Specifications

Top View

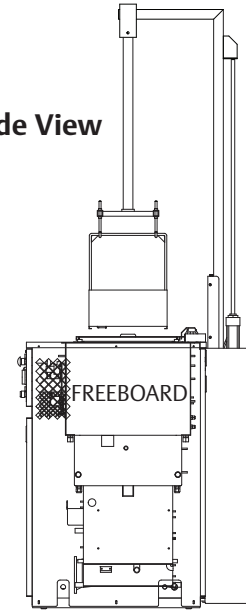
The system shown is the B950R with the optional dual-axis lift. While there are slight differences between each model, this drawing is representative of the basic system layout.



Front View



Side View



	MODEL B352R	MODEL B452R	MODEL B950R	MODEL B1950R	MODEL B3550R
Working Dimensions	8" X 10" X 6"D	10" X 12" X 8"D	12" X 16" X 12"D	16" X 20" X 14.5"D	20" X 24" X 17"D
Boil Sump Heat	1200W strip heat	2000 W immersion heat	4000 W immersion heat	8000 W immersion heat	14000 W immersion heat
Ultrasonic Heat	NA	400 W	800 W	1500 W	2000 W
Ultrasonics *	40 kHz	40 kHz	40 kHz	40 kHz	40 kHz
Distillation Rate **	4 gph	7 gph	14 gph	28 gph	49 gph
Recirculation	1 gpm	1 gpm	2 gpm	4 gpm	6 gpm
Load Capacity **	100 lbs. steel/hour	200 lbs. steel/hour	400 lbs. steel/hour	800 lbs. steel/hour	1400 lbs. steel/hour
Vapor Zone	23.7" X 13" X 7"D	28.7" X 15" X 8.5"D	32.7" X 19" X 12"D	40.7" X 23" X 14.5"D	48.7" X 27" X 17"D
Solvent Capacity	5.1 gallons	9.2 gallons	26 gallons	50 gallons	82 gallons
Overall	40" X 31" X 47"H	55" X 28.5" X 46"H	65" X 32.5" X 49"H	88" X 36.5" X 59"H	110" X 40.5" X 68"H
Input Power	208 or 230V, 1Ph, 20A	208 or 230V, 3Ph, 27A	208 or 230V, 3Ph, 39A	208 or 230V, 3Ph, 66A***	208 or 230V, 3Ph, 90A***
Shipping Weight	500 lbs. with pallet	550 lbs. with pallet	750 lbs. with pallet	950 lbs. with pallet	1200 lbs. with pallet

*Higher frequencies available upon request. **Based on HFE and HFC solvents. ***460V 3P available.

Americas

Branson Ultrasonics Corp.
41 Eagle Road
Danbury, CT 06810, USA
T: 203-796-0400
F: 203-796-0450
www.bransonultrasonics.com

Europe

Branson Ultraschall
Niederlassung der Emerson
Technologies GmbH & Co. OHG
Waldstrasse 53-55
63128 Dietzenbach, Germany
T: +49-6074-497-0
F: +49-6074-497-199
www.branson.eu

Asia

Branson Ultrasonics (Shanghai) Co., Ltd.
758 Rong Le Dong Road
Song Jiang, Shanghai, PRC, 201613
T: 86-21-3781-0588
F: 86-21-5774-5100
www.branson.com.cn

All specifications subject to change without notice. All dimensions are nominal. All units are CE compliant and comply with FCC rules and regulations governing radio frequency interference. Note: All sales shall be subject to the Supplier's terms and conditions of sale as described in Branson's quotations and sales contracts.