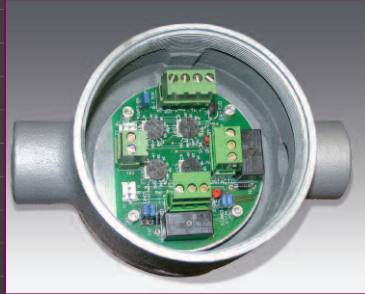


Model ISE-42

Dual Alarm



ISE-42-EXP
(24 VDC Powered)



ISE-42-EXP
(Line Powered)

General Description

The ISE-42 is a general-purpose, dual process alarm, precision instrument specifically designed for field mounting. It is therefore made available in a wall or surface-mounted type housing with either a NEMA 12, 4X or explosion-proof rating.

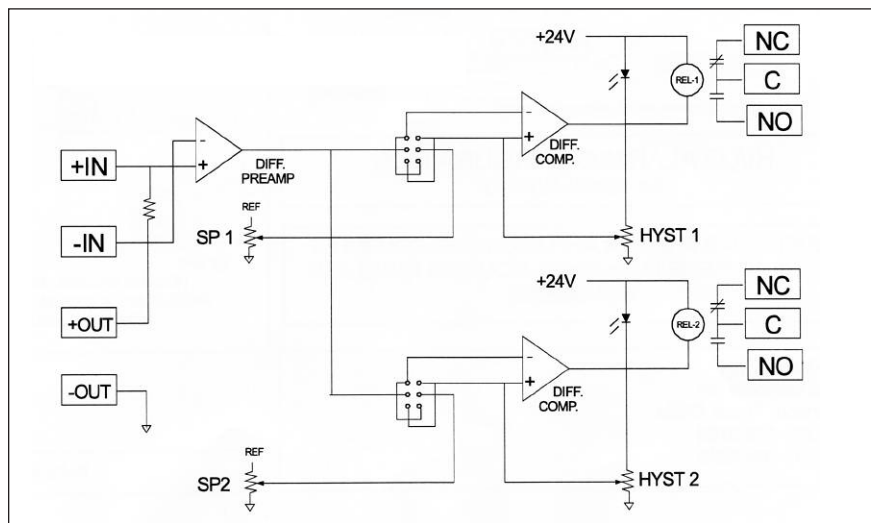
The input stage of the ISE-42 consists of a high grade instrumentation amplifier along with all related circuitry to accept inputs from a variety of signal sources:

- All types of thermocouples with factory calibrations to the desired range of temperature (minimum recommended is 100° F)
- All types of RTD's with factory calibration to any resistance range (recommended span resistance range 5-5000 ohms)
- 4/20 mA or 1/5 VDC with 24 VDC furnished to power the transmitter loop
- Any other millivolt or voltage source

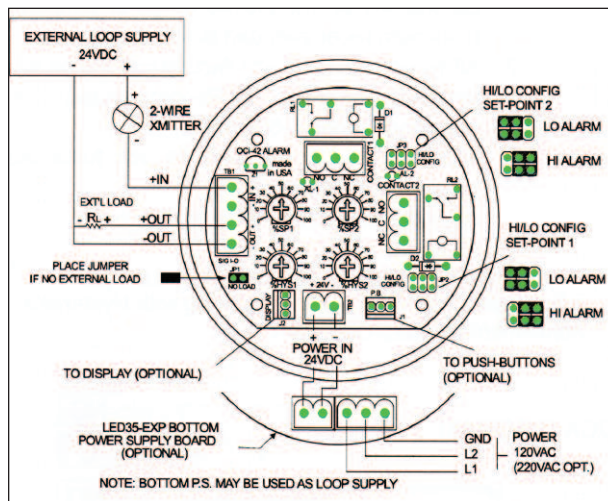
The comparator stage has single-turn, dial set-point adjustments for Alarm 1, Alarm 2 along with Hysteresis adjustments for each set-point.

Specifications

Input:	4/20 mA – Input Resistance = 10 ohms (0.04/0.20 VDC)
Set point adjust and Hysteresis adjustments:	Single turn dial potentiometers, screwdriver adjust. Panel mount set point on special order (voids weatherproofing rating)
Dual process indicator: (optional)	3½ digit LCD Process Indicator, calibrated 0-100.0% or to engineering units as requested. Alarm point LED's illuminate when relays are energized
Relay output:	Two SPDT for high/low operation. High and low alarm relays are configured for fail-safe operation (relays normally energized) Contact Rating: 5A, 110 VAC or 30 VDC/10A, 250 VAC, non-inductive
Power output:	24 VDC for transmitters, etc., 5 VDC for indicators (when AC Power Supply is furnished)
Standard power input:	24 VDC
Optional power input:	117 ±10% VAC, 50/60 Hz standard (220 VAC optional), 6VA
Housing:	Wall Mtg. NEMA 12 or 4X steel enclosure, or Explosion-proof (ISE-42-EXP) for Class I, Div. 1, Groups C & higher

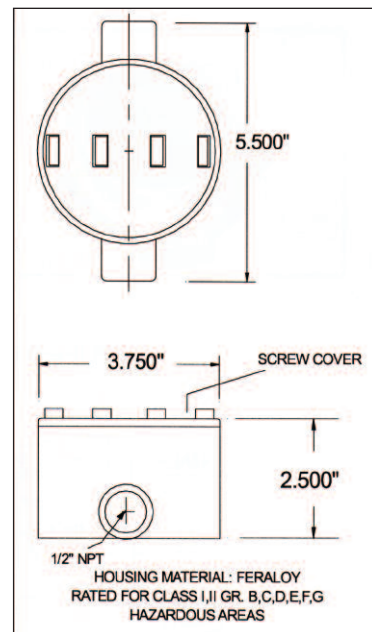


Simplified Block Diagram



Hi/Lo Alarm Configuration (External Wiring)

Dimensions are for Appleton GRC Condulet when AC P.S. is furnished.
Housing is Killark HKB series.



3902 Magnolia Road · Pearland, Texas 77584
Tel: 281.488.0788 · Fax: 281.488.7080
E-mail: sales@isemagtech.com
www.isemagtech.com