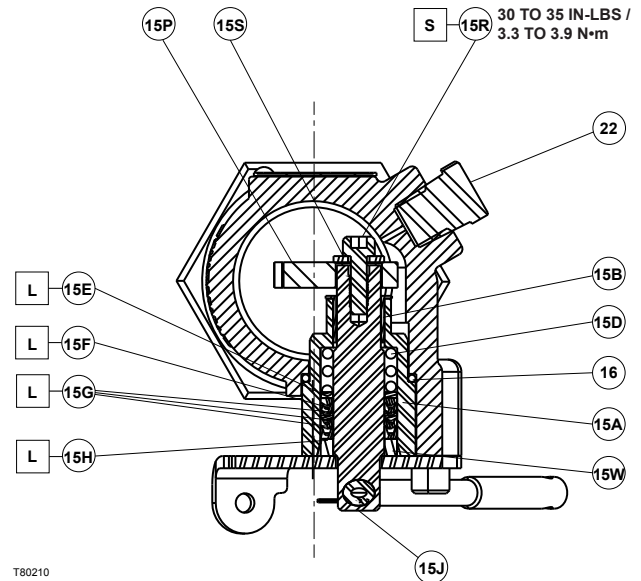


Type C407-10

Parts List (continued)

Key	Description	Part Number
15A	Gland	T13399T0012
15B*	Liner Bushing	T13410T0012
15D*	Spring	ERSA03857A0
15E	Washer	T1207524082
15F*	Male Adaptor	T1207701012
15G*	Packing Ring (3 required)	T1207801012
15H*	Female Adaptor	T1207901012
15J	Stub Shaft	T20846T0012
15P*	Cam	ERSA04806A0
15R	Cap Screw	1D617032992
15S	Washer	T1173324152
15W*	Spacer	ERSA03858A0
16*	O-Ring	T13400T0012
17	Cap Screw (2 required)	T13402T0012
18	Lever	T13428T0012
19	Cotter Pin	T13405T0012
21	Drive screw (2 required)	1A36822898
22	Plug, Hex	T13718T0012
35	Stem Guide	T13462T0012
36	Guide Bracket	T20848T0012
46	Loctite	1M6159X0012
56	Cover Plate	ERSA03861A0



T80210

APPLY LUBRICANT (L) OR SEALANT (S)⁽¹⁾

L = Magnalube®-G

S = Medium Strength Threadlocker

Magnalube®-G is a registered trademark of Saunders Enterprises, Inc.

1. Lubricants and sealants must be selected such that they meet the temperature requirements.

*Recommended Spare Part

LP-Gas Equipment

**Emerson Process Management
Regulator Technologies, Inc.**

USA - Headquarters
McKinney, Texas 75070 USA
Tel: +1 800 558 5853
Outside U.S. +1 972 548 3574

For further information visit www.fisherregulators.com

The Emerson logo is a trademark and service mark of Emerson Electric Co. All other marks are the property of their prospective owners. Fisher is a mark owned by Fisher Controls International LLC, a business of Emerson Process Management.

The contents of this publication are presented for informational purposes only, and while every effort has been made to ensure their accuracy, they are not to be construed as warranties or guarantees, express or implied, regarding the products or services described herein or their use or applicability. We reserve the right to modify or improve the designs or specifications of such products at any time without notice.

Emerson Process Management Regulator Technologies, Inc. does not assume responsibility for the selection, use or maintenance of any product. Responsibility for proper selection, use and maintenance of any Emerson Process Management Regulator Technologies, Inc. product remains solely with the purchaser.