

Central gas supply

CG-Pressure regulator II

max. 4 bar/58 PSIG outlet pressure

MEDI
CAL

Specification

Single stage cylinder pressure regulator according to DIN EN 738-1 for the reduction of pressurised medical gases.

CE-mark according to the Medical Device Directive 93/42/EEC.

❑ Fluid Media
med. O₂, Air, CO₂, Air/O₂, N₂O

❑ Operating Parameters

Inlet pressure:up to 5 bar/73 PSIG

Outlet pressure:up to 4 bar/58 PSIG

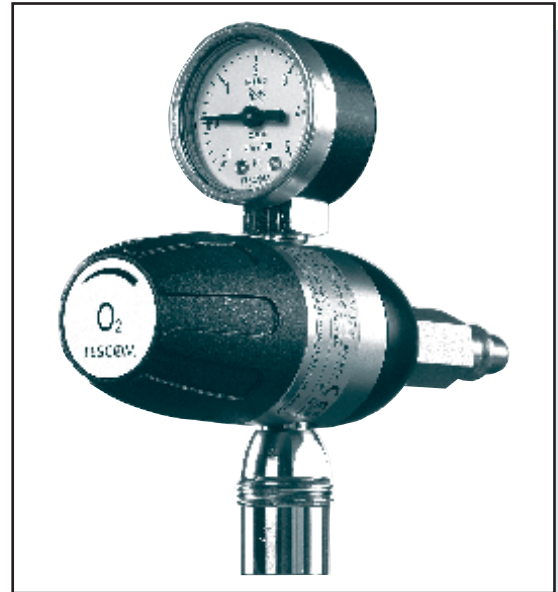
Temperature range:

Operation 10 to 40 °C

Storage -20 to +70 °C

❑ Weight 650 g

❑ Connections see order no. at backpage



- Compact design
- Robust and reliable design for stationary application
- Simple and easy handling

Europe only

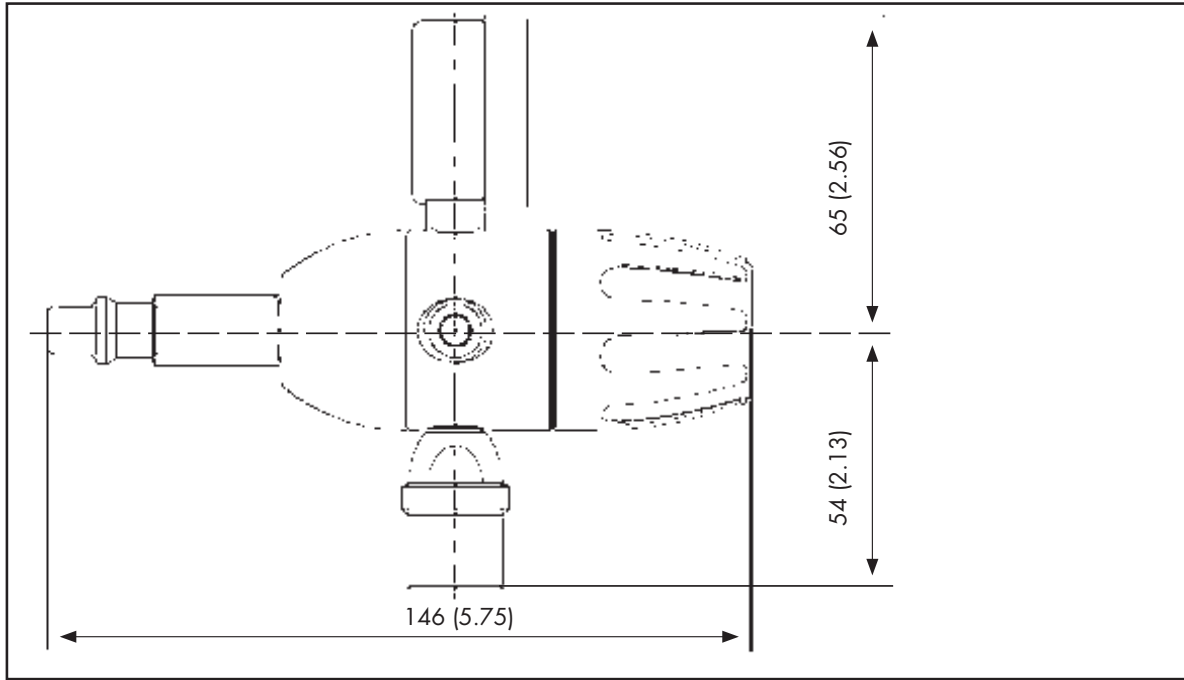
TESCOM


EMERSON
Process Management

dcatmedi12117xen2

CG-Pressure regulator II 4 bar/58 PSIG

All dimensions in mm (inch) are approximate data depending on the design



Ordering Information

Example Part Number:

D45715- 08 - D - 46 - I

BASIC SERIES	GAS	INLET CONNECTION ¹⁾	OUTLET CONNECTION ²⁾	GAS CODE MARKING
D45715	03 = CO ₂ 08 = Air 12 = O ₂ 13 = N ₂ O 08A = Air-O ₂ (for combiplug Air/O ₂)	D = DIN 13260 II B = BS 5682 F = NF S 90-116 U = UNI 9507 K = SS 87 524 30 E = EN 737-6	46 = screw connection NIST acc. to EN 739 55 = screw connection acc. to DIN 13260 II 64 = screw connection acc. to BS 5682 65 = screw connection acc. to NF S 90-116 66 = screw connection acc. to SS 87 524 30 67 = screw connection acc. to UNI 9507	N = black I = ISO gas code marking (ISO colours acc. to ISO 32)

¹⁾ further inlet connections on demand

²⁾ further outlet connections on demand

Recommended Accessory

E-Set NIST for connecting hose acc. to EN 739

D45812-03 = CO₂

D45812-08 = Air

D45812-12 = O₂

D45812-13 = N₂O

TESCOM
www.tescom-europe.com

TESCOM EUROPE GMBH & CO. KG
 An der Trave 23 - 25 • D-23923 Selmsdorf • Germany
 Tel: +49 (0) 3 88 23 / 31-0 • Fax: +49 (0) 3 88 23 / 31-199
 eu.tescom@emerson.com

TESCOM EUROPE is a business unit of Emerson Process Management Regulator Technologies, Inc.
 Trademarks are property of divisions of Emerson Process Management.
 12117-01-05 Subject to technical changes


EMERSON
 Process Management

Europe only