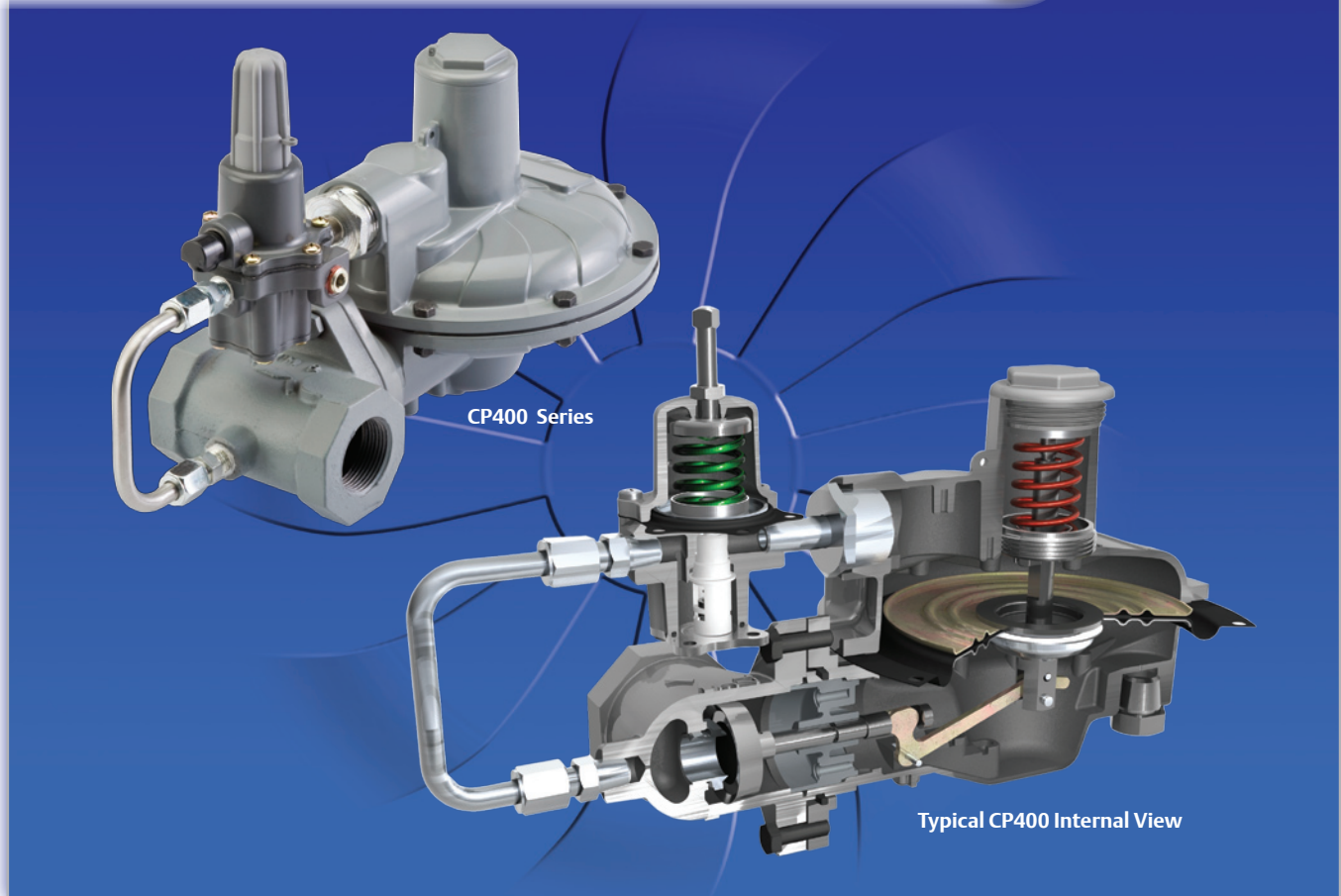


CP400 Series

Fisher® Commercial Service Reliability



The Fisher® CP400 Series

The CP400 Series pressure loaded regulators have been engineered to fit a multitude of pressure-reducing applications including commercial and light industrial installations. This flexibility is provided by the multiple body sizes, end connections, body materials, outlet pressure settings, and orifice sizes. The CP400 Series provides accurate control for use in pressure-factor measurement (PFM) and Fixed Factor billing applications.

Overpressure protection is a strength of the CP400 Series due to multiple overpressure protection options that include Integral True-Monitor™ Protection and

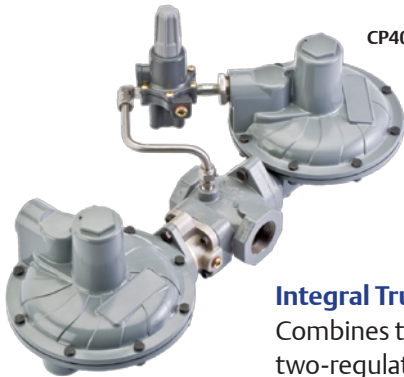
Slam-shut Protection. Token Relief is also offered for relieving minor overpressure from nicks on the orifice or from debris obstructing complete shutoff.

Product advantages:

- Wide variety of body sizes and end connections
- Fixed Factor / PFM Accuracy
- Multiple Overpressure Protection Options
 - Integral Monitoring Regulator
 - Integral Slam-shut
 - Token Internal Relief
- Only standard tools required for pressure adjustment and orifice removal
- Internal or external pressure registration



Overpressure Protection Options

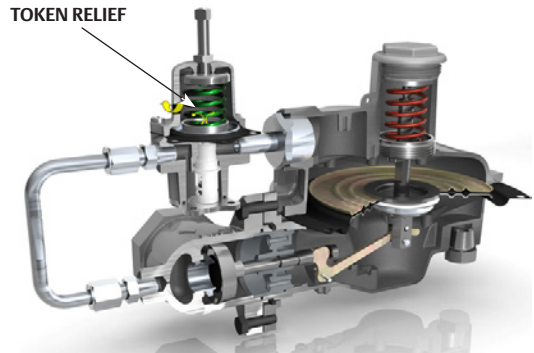


INTEGRAL MONITORING REGULATOR

CP400 REGULATOR

Integral True-Monitor™ Protection

Combines the operation of a conventional two-regulator wide-open monitor set into one device without the need for a downstream control line.



TOKEN RELIEF

Token Internal Relief (Located in the Type 67CPR Pressure Loading Regulator)

Relieves minor overpressure caused by nicks on the orifice/disk or debris obstructing complete shutoff and provides an indication via smell that an overpressure situation is occurring.



INTEGRAL SLAM-SHUT

CP400 REGULATOR

Slam-Shut

Shuts off gas service to the downstream system in the event of an overpressure or underpressure condition.

CP400 Series Features

Operation: Pressure Loaded Pressure Reducing Regulator

Body Sizes and End Connections: 1-1/4, 1-1/2, and 2 NPT; Rp 1-1/4, 1-1/2, and 2; NPS 2, CL125 FF and CL150 FF Flanges; DN 50, PN 10/16 Flanges

Outlet Pressure Range: 1 to 20 psig (69 mbar to 1,4 bar)

Maximum Outlet (Casing) Pressure: 25 psig (1,7 bar)

Temperature Capabilities: -20° to 150°F (-29° to 66°C)

Pressure Registration: Internal or External

Body Material: Gray Cast Iron, Ductile Cast Iron, and Steel

Overpressure Protection:

- Integral Monitoring Regulator
- Integral Slam-shut
- Token Internal Relief

Natural Gas Technologies

Emerson Process Management Regulator Technologies, Inc.

North America
McKinney, Texas 75069-1872 USA
Tel: 1-800-558-5853
Outside U.S. 1-972-548-3574

Asia-Pacific
Singapore, Singapore 128461
Tel: +65 6777 8211

Europe
Bologna, Italy 40013
Tel: +39 051 4190611
Gallardon, France
Tel: +33 (0) 2 37 33 47 00



The distinctive swirl pattern cast into every actuator casing uniquely identifies the regulator as part of the Fisher® brand Commercial Service Regulator family and assures you of the highest-quality engineering, performance, and support traditionally associated with Fisher, Francel, and Tartarini regulators. Visit www.fishercommercialservice.com to access interactive applications.

Our Global Natural Gas Product Brands:

For further information, visit www.emersonprocess.com/regulators



D351368X012 © 2009 Emerson Process Management Regulator Technologies, Inc. All rights reserved. Printed in the U.S.A. 11/09. Fisher, Francel, Tartarini, Emerson Process Management, and the Emerson Process Management design are marks of one of the Emerson Process Management group of companies. All other marks are the property of their respective owners.

