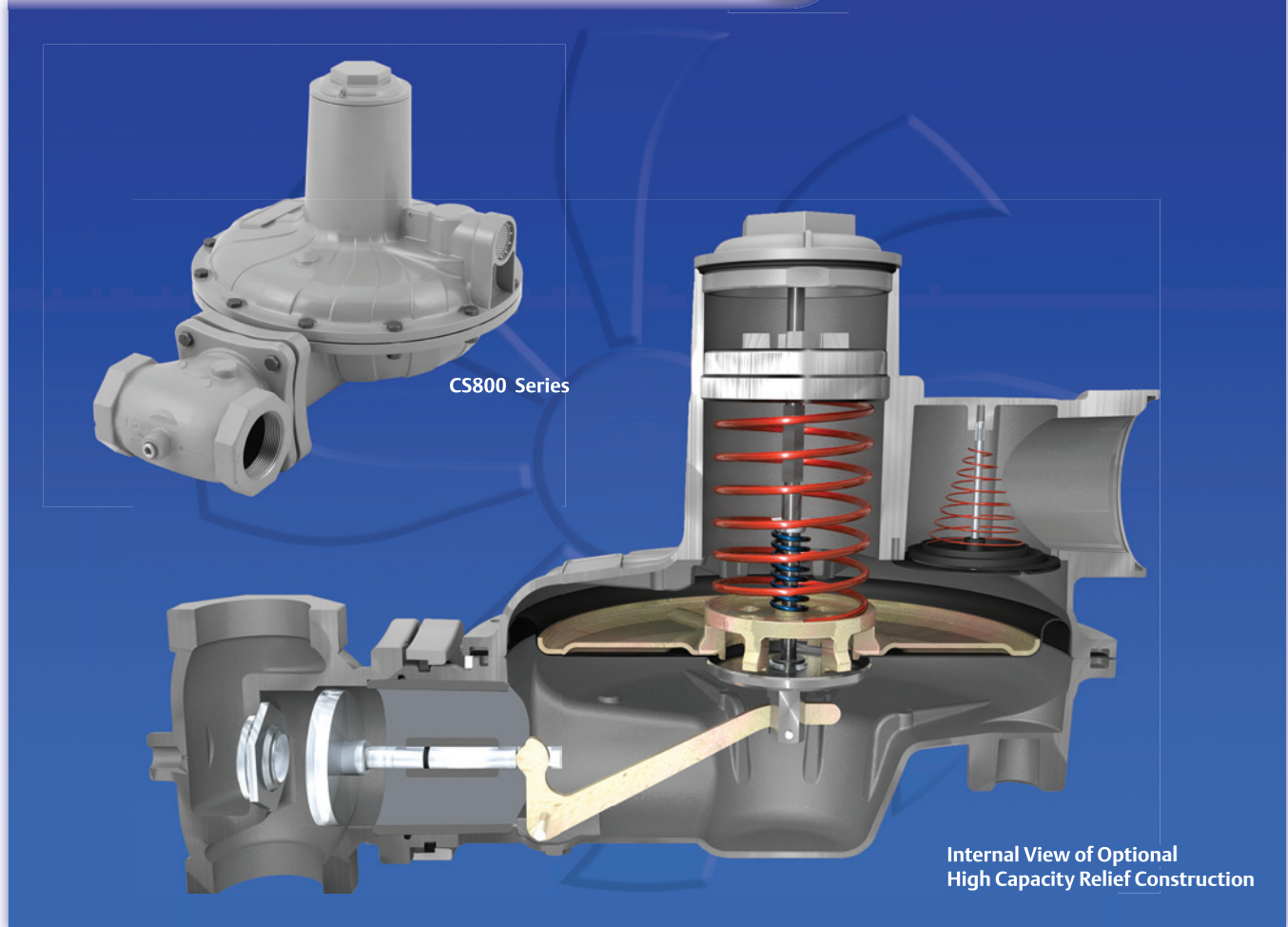


CS800 Series

Commercial Service Reliability



Fisher® CS800 Series

The CS800 Series direct-operated, spring-loaded regulators have been engineered to fit a multitude of pressure-reducing applications including commercial and light industrial installations. This flexibility is provided by the numerous body sizes and end connections, outlet pressure settings, orifice sizes and the option for internal or external pressure registration.

The CS800 Series also offers numerous overpressure protection options including:

- Internal Relief
- High Capacity Relief
- Secondary Seat™ Protection
- True-Monitor™ Protection
- Slam-Shut Protection

Product Advantages

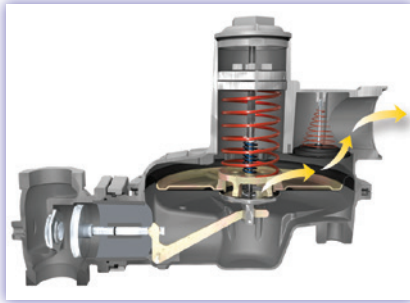
- Increased relief and flow capacity = reduced installation cost
- Reduced maintenance costs
- Complete overpressure protection
- Available with various body sizes and connections
- Corrosion resistant fasteners and springs
- Single bolt size reduces tools required to install and maintain



www.fisherregulators.com



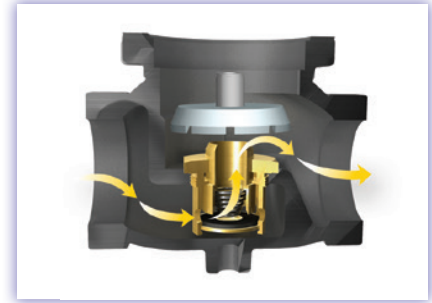
Largest Overpressure Protection Breadth in the Industry



High Capacity Relief - Large 2-1/2 NPT vent provides a significant increase in relieving capacity and level of overpressure protection to the downstream system.



Internal Relief - Minimizes downstream pressure buildup by relieving gas through the diaphragm assembly and out the 1 NPT vent to atmosphere in the event of an overpressure situation.



Secondary Seat™ Protection - Provides a solution to the most common cause of regulators failing to shutoff by employing a secondary seating surface for shutoff if the primary orifice seating surface becomes damaged or blocked.



Integral True-Monitor™ Protection - Combines the operation of a conventional two-regulator wide-open monitor set into one device without the need for a downstream control line.



Slam-Shut Protection - Provides an integral slam-shut module that shuts off the flow of gas to the downstream system in an overpressure or underpressure situation.

CS800 Series Specifications

Operation: Direct-Operated, Pressure Reducing

Body Sizes and End Connections:

1-1/4, 1-1/2, 2 NPT, Rp 2;

NPS 2 / DN 50 (CL125 FF, CL150 FF, CL150 RF, PN 10/16)

Maximum Inlet Pressure: up to 175 psig / 12.1 bar

Maximum Outlet Pressure: up to 15 psig / 1.0 bar

Outlet Pressure Ranges:

3.5 in. w.c. to 10 psig / 9 to 690 mbar

Temperature Capabilities: -20 to 150°F / -30 to 66°C

Spring Case Vent Connection: 1 or 2-1/2 NPT

Pressure Registration: Internal and External

Body Material: Gray Cast Iron, Ductile Iron and Steel

Overpressure Protection Options:

Internal Relief

High Capacity Relief

Secondary Seat Protection

Integral True-Monitor Protection

Slam-Shut Protection

Emerson Process Management Regulator Technologies, Inc.

North America

McKinney, Texas 75070 USA

Tel: +1 800 558 5853

Outside U.S. +1 972 548 3574

Asia-Pacific

Singapore 128461, Singapore

Tel: +65 6770 8337

Europe

Bologna 40013, Italy

Tel: +39 051 419 0611

Chartres 28008, France

Tel: +33 2 37 33 47 00



The distinctive swirl pattern cast into every actuator casing uniquely identifies the regulator as part of the Fisher® brand Commercial Service Regulator family and assures you of the highest-quality engineering, performance, and support traditionally associated with Fisher, Francel™, and Tartarini™ regulators. Visit www.fishercommercialservice.com to access interactive applications.

For further information, visit www.emersonprocess.com/regulators

D351369X012 © 2011, 2014 Emerson Process Management Regulator Technologies, Inc. All rights reserved. Printed in the U.S.A. 11/14. Fisher, Francel, Tartarini, Emerson Process Management, and the Emerson Process Management design are marks of one of the Emerson Process Management group of companies. All other marks are the property of their respective owners.

Our Global Natural Gas Product Brands:

