

NEW:

High flow CL150
rated backpressure
valve ideal for LACT
Skid applications

Type CT88

LACT Skid Backpressure Regulator



Type CT88

Type CT88

The Type CT88 LACT skid regulator provides fast, accurate and reliable pressure control for liquid applications. A simple and durable design is utilized to withstand dirt and debris common in many liquid applications without sticking and without compromising shut-off performance. The primary application for this regulator is backpressure control on lease automatic custody transfer skids.

Product advantages:

- In line maintenance
- ANSI/FCI 70-3-2004 Class VI Shutoff
- ANSI CL150 Pressure Rating
- Large Flow
- Fast Response

Specifications:

Maximum Inlet and Casing Pressure:

ANSI CL150 Pressure Rating
(up to 285 psig / 19.6 bar)

Backpressure Control Range:

30 to 145 psig / 2.1 to 10.0 bar

Sizes: 2, 3 and 4 in. CL150 RF Flange

Temperature: 20 to 248°F / -7 to 120°C

C_v: 2 in. = 59; 3 in. = 148; 4 in. = 240

Body Material: WCC Steel

Diaphragm and Seals: Fluorocarbon (FKM)

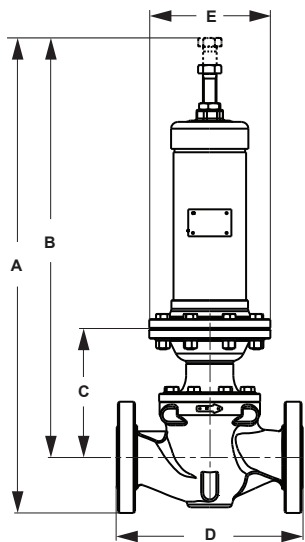
Trim: 316 Stainless steel with
Fluorocarbon (FKM) plug

Upstream Control Line Connection Size:

1/2 NPT tapped into body

Dimensions

Please refer to below for product dimensions. (Note: Dimension A measured with the Adjusting Screw extended at maximum length.)



Type CT88 BPV

TYPE CT88 BPV												
Body Size	A		B		C		D		E		Weight	
	Type CT88		Type CT88		Type CT88		CL150 RF		Type CT88		Type CT88	
	In.	mm	In.	mm	In.	mm	In.	mm	In.	mm	lbs	kg
2 in.	29.0	739	25.8	656	7.56	192	10.0	254	7.08	180	89.3	40.5
3 in.	31.3	796	27.2	691	8.86	225	11.7	298	7.08	180	131	59.5
4 in.	33.6	855	28.6	727	10.3	262	13.8	352	7.08	180	184	83.5

The One Stop For Your Complete Oil and Gas Regulating Solutions.

Pressure Reducing



Model.....Type MR105
 Body Size.....NPS 1, 2, 3 and 4
 Outlet Pressure Range.....5 to 300 psig
/ 0.34 to 20.7 bar⁽²⁾
 Maximum Inlet Pressure.....400 psig / 27.6 bar
 Operation Method.....Direct-Operated
 Body Material.....Cast Iron, Steel and
Stainless steel
 Bulletin No.71.1:MR105



Model.....MR95 Series
 Body Size.....NPS 1/4, 1/2, 3/4, 1, 1-1/2 and 2
 Outlet Pressure Range.....2 to 400 psig
/ 0.14 to 27.6 bar
 Maximum Inlet Pressure....1000 psig / 68.9 bar
 Operation Method.....Direct-Operated
 Body Material.....Cast Iron, Steel,
Stainless steel, Hastelloy® C and Monel®
 Bulletin No.71.1:MR95



Model.....Type 1098-EGR
 Body Size..... NPS 1, 2, 3, 4, 6, 8 x 6 and 12 x 6
 Outlet Pressure Range.....14 in. w.c. to
300 psig / 35 mbar to 20.7 bar
 Maximum Inlet Pressure.....400 psig / 27.6 bar
 Operation Method.....Pilot-Operated
 Body Material.....Cast Iron, Steel and
Stainless steel
 Bulletin No.71.1:1098-EGR

Backpressure



Model.....Type MR108
 Body Size.....NPS 1, 2, 3 and 4
 Control Pressure Range.....5 to 300 psig
/ 0.34 to 20.7 bar⁽²⁾
 Maximum Inlet Pressure.....400 psig
/ 27.6 bar⁽¹⁾
 Operation Method.....Direct-Operated
 Body Material.....Cast Iron, Steel and
Stainless steel
 Bulletin No.71.4:MR108



Model.....MR98 Series
 Body Size.....NPS 1/4, 1/2, 3/4, 1, 1-1/2 and 2
 Relief Pressure Range.....2 to 375 psig
/ 0.14 to 25.9 bar
 Maximum Inlet Pressure.....400 psig / 27.6 bar
 Operation Method.....Direct-Operated
 Body Material.....Cast Iron, Steel,
Stainless steel, Hastelloy® C and Monel®
 Bulletin No.71.4:MR98



Model.....Type 63EG-98HM
 Body Size.....NPS 2, 3, 4, 6 and 8 x 6
 Relief Pressure Range.....15 to 375 psig
/ 1.0 to 25.9 bar
 Maximum Inlet Pressure.....450 psig / 31.0 bar
 Operation Method.....Pilot-Operated
 Body Material.....Steel, Stainless steel,
Hastelloy® C, Monel® and Alloy 20
 Bulletin No.71.4:63EG-98HM

1. For high-pressure actuator constructions with Fluorocarbon (FKM) diaphragm, maximum outlet and emergency casing pressures are limited to 230 psig / 15.8 bar or the body rating limit, whichever is lower.
 2. For high-pressure actuator constructions with Fluorocarbon (FKM) diaphragm, maximum set pressure is limited to 150 psig / 10.3 bar.
 Monel® is a mark owned by Special Metals Corporation.
 Hastelloy® C is a mark owned by Haynes International, Inc.

Industrial Regulators

Emerson Process Management Regulator Technologies, Inc.

3200 Emerson Way
 McKinney, Texas 75070 USA
 Tel: +1 800 558 5853
 Outside U.S. +1 972 548 3574

Asia-Pacific
 Shanghai 201206, China
 Tel: +86 21 2892 9000

Europe
 Bologna 40013, Italy
 Tel: +39 051 419 0611

Middle East and Africa
 Dubai, United Arab Emirates
 Tel: +971 4811 8100

For further information, visit www.fisher.com

D352246X012 © 2014, 2016 Emerson Process Management Regulator Technologies, Inc. All rights reserved. Printed in the U.S.A. 05/16.
 Fisher, Emerson Process Management, and the Emerson Process Management design are marks of one of the Emerson Process Management group of companies. All other marks are the property of their respective owners.