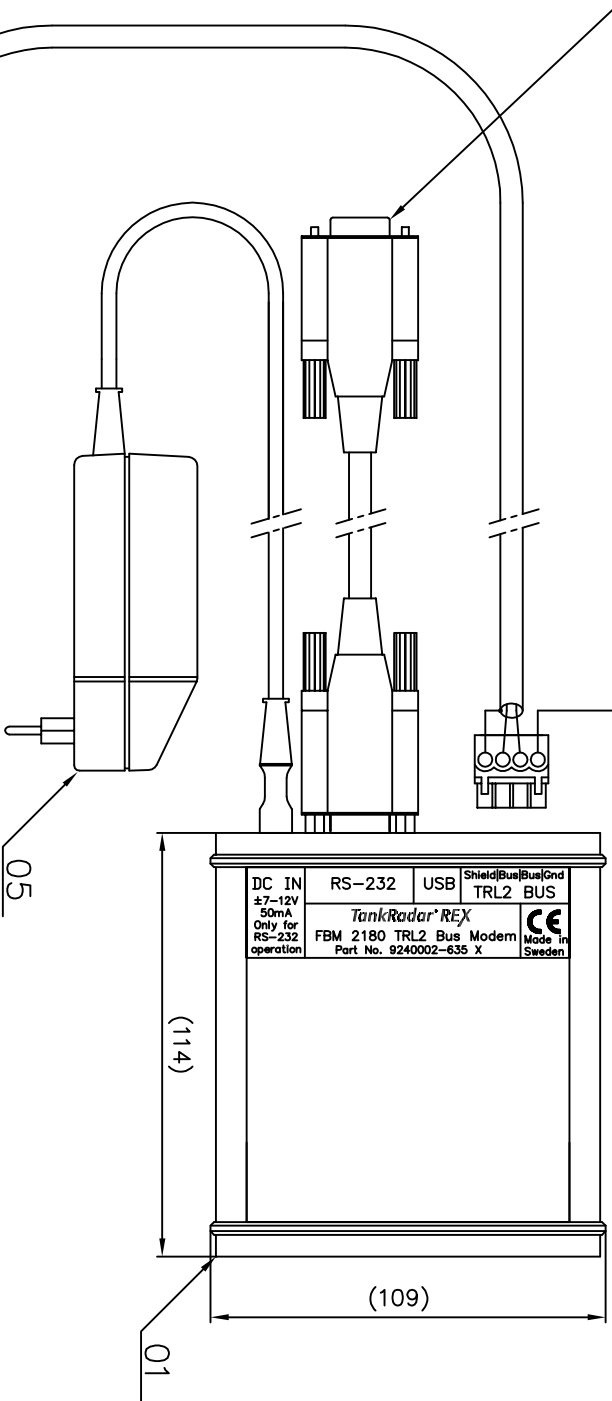


04 SERIAL PORT CONNECTION
MAX CABLE LENGTH: 15m (STRAIGHT CONNECTION)

NOTE: Ground connection
for over-voltage protection!



TRL2 Bus to FCU or field devices (RTG & IDAU)
Single twisted, preferably shielded pair,
multidrop, polarity independent.
Individual shielding is mandatory if
parallel buses run in the same cable.

Recommended wiring length:
AWG 24 (0.25mm²): <1 km
AWG 22 (0.35mm²): <2 km
AWG 20 (0.50mm²): <3 km
AWG 18 (0.75mm²): <4 km

08	BUS CABLE	CUSTOMER
05	ADAPTER 90-264VAC/9VDC 1.5A	RTR
04	CABLE M 9P Dsub L=3m	RTR
01	FBW 2180 TRL2 BUS MODEM	RTR
POS	ITEM DESCRIPTION	SUPPLIER
ISSUED BY	WEEK	PRODUCT CODE
GU-TKA	0537	REX
APPROVED BY	WEEK	ORIGINAL DWG NO.
GU-HF	0539	9150070-972
1 ST ANGLE	SCALE	INSTALLATION DRAWING TITLE
0.7	0.7	FBM 2180 RS-232 CONNECTION
DOC TYPE	DWG NO.	ISSUE
2	9150070-972	2
		SHEET
		1/4

ROSEMOUNT
Tank Gauging

THE OPERATOR/MAINTENANCE PERSONNEL OF THIS EQUIPMENT IS WARNED THAT EQUIPMENT MUST NOT BE USED WITHOUT OUR AUTHORIZATION OR SUBJECT TO THE KNOWLEDGE OF A THIRD PARTY. COMMUNICATION WILL BE PROSECUTED. ROSEMOUNT TANK RADAR AB, SWEDEN.