

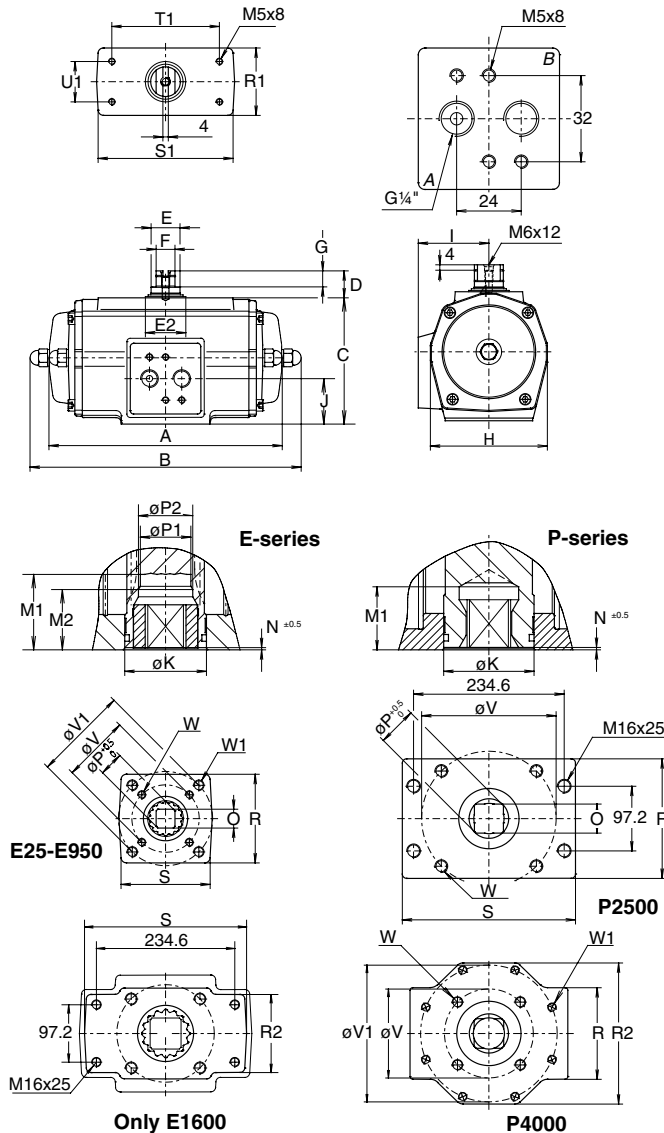
# Data sheet

Sheet No.: 1.103.106 Rev. A

Date: November 2009

## DIMENSION SHEET STANDARD ACTUATOR - ISO

E/P



Dim. in mm.	Actuators E-series										P-series	
	E 12	E 25	E 40	E 65	E100	E150	E200	E 350	E600	E950	E1600	P2500
A DA	159	180	199	221	254	283	305	387	424	516	378	502
B SR	172	204	249	267	310	360	387	477	517	637	570	834
C	80	93	105	118	140	143	181	220	259	297	356	380
D	20	20	20	20	20	20	20	30	30	30	30	30
E	16	22	22	22	36	36	36	55	55	64	55	64
E2	23	30	30	30	45	45	45	65	65	75	65	80
F	10	14	14	14	19	19	19	36	36	36	36	36
G	12	12	12	12	12	12	12	10	10	10	10	10
H	74	86	98	108	121	128	173	207	231	265	350	380
I	46	53	58	63	70	73	95	113	126	142	183	200
J	32	34	40	45	59	51	73	84.5	105.5	120.5	178	190
K	24	33	33	38	55	55	55	68	75	95	85	120
M1	34.5	34.5	34.5	34.5	50	50	50	52	64	82	66	77
M2	-	-	-	27	-	37	-	-	-	-	-	-
N	1	1	1	1.5	1	1.5	1.5	1.5	1.5	1.5	3	1.5
O max.	11.08	14.08	14.08	19.08	19.08	22.10	27.11	27.11	36.16	46.16	46.21	55.24
O min.	11.00	14.00	14.00	19.00	19.00	22.00	27.00	27.00	36.00	46.00	46.00	55.00
P	14.1	18.1	18.1	25.2	25.5	28.2	36.2	36.2	48.2	60.2	60.2	72.2
P1	14.1	18.1	21.1	23.1	28.5	32.1	32.1	36.5	48.5	60.5	-	-
P2	-	-	-	25.2	-	36.2	36.2	-	-	-	-	-
R	52	65	70	70	86	90	114	124	130	154	170	170
R1	50	50	50	60	60	60	60	90	90	125	160	160
R2	-	-	-	-	-	-	-	-	-	132	-	262
S	52	65	70	70	92	90	114	124	142	280	290	290
S1	100	100	100	100	100	100	100	170	170	210	245	245
T	-	-	-	-	-	-	-	-	-	234.6	234.6	-
T1	80	80	80	80	80	80	80	130	130	130	130	130
U	-	-	-	-	-	-	-	-	-	97.2	97.2	-
U1	30	30	30	30	30	30	30	30	30	30	30	30
V	36	50	50	50	70	70	70	102	102	165	165	165
W	M5 x 8	M6 x 10	M6 x 10	M6 x 10	M8 x 13	M8 x 13	M8 x 13	M10 x 16	M10 x 16	M20 x 30	M20 x 30	M20 x 30
V1	50	70	70	70	102	102	102	125	140	-	-	254
W1	M6 x 10	M8 x 13	M8 x 13	M8 x 13	M10 x 16	M10 x 16	M10 x 16	M12 x 20	M16 x 25	-	-	M16 x 25

For E 12 dimensions see data sheet 1.103.102

### Note

1. Flange and square drive to ISO 5211
2. Top and solenoid flange to VDI/VDE 3845 (NAMUR)
3. For P-series actuators with limit stops see 1.501.01

**EL-O-MATIC**

www.El-O-matic.com

Copyright © Emerson Process Management. The information in this document is subject to change without notice.

Updated data sheets can be obtained from our website [www.El-O-matic.com](http://www.El-O-matic.com) or from your nearest Valve Automation Center **USA:** +1 813 319 0266 **Europe:** +31 74 256 10 10 **Asia-Pacific:** +65 6501 4600



**EMERSON**  
Process Management