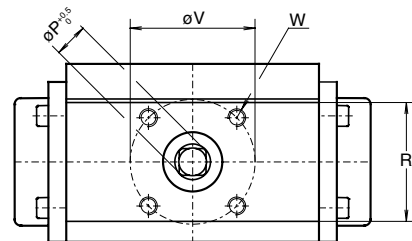
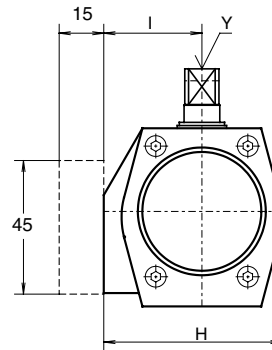
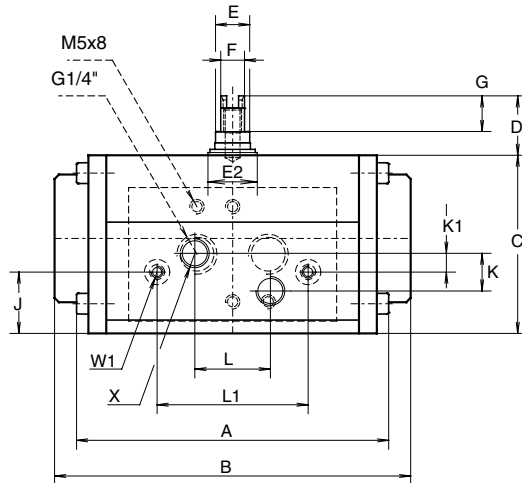
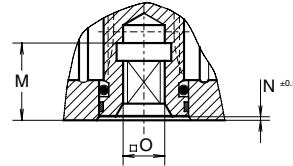
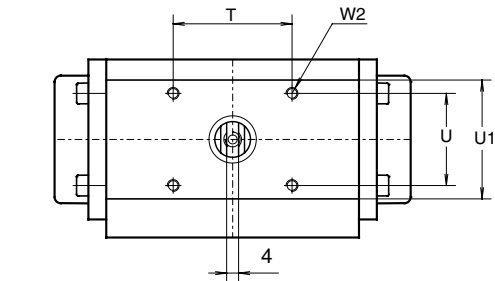


Data sheet

Sheet No.: 1.103.102 Rev. A

Date: November 2009

DIMENSION SHEET ACTUATOR ISO E12 (90°/180°)



| Dim. in mm | 90° | 180° |
|------------|-------|-------|
| A ED | 103 | 155 |
| B ES | 118 | 216 |
| C | 60 | 60 |
| D | 20 | 20 |
| E | 16 | 16 |
| E2 | 23 | 23 |
| F | 10 | 10 |
| G | 12 | 12 |
| H | 60 | 60 |
| I | 33 | 33 |
| J | 21 | 21 |
| K | 12.7 | 12.7 |
| K1 | 6.4 | 6.4 |
| L | 25.4 | 25.4 |
| L1 | 50.8 | 50.8 |
| M | 16.5 | 16.5 |
| N | 1 | 1 |
| O max. | 9.1 | 9.1 |
| O min. | 9 | 9 |
| P | 12.1 | 12.1 |
| R | 40 | 40 |
| R1 | 40 | 40 |
| T | 40 | 40 |
| U | 31 | 31 |
| V | 42 | 42 |
| W | M6x8 | M6x8 |
| W1 | M4x7 | M4x7 |
| W2 | M4x7 | M4x7 |
| X | G1/8" | G1/8" |
| Y | M6x12 | M6x12 |

DOUBLE ACTING TORQUE (ED)

| | | | | | | | | |
|-----------------|-----|-----|-----|------|------|------|------|------|
| Pressure | bar | 3.5 | 4 | 4.5 | 5 | 5.5 | 6 | 7 |
| Torque 90°/180° | Nm | 8.5 | 9.7 | 10.9 | 12.2 | 13.4 | 14.6 | 17.1 |

SINGLE ACTING TORQUE (ES)

| | bar | Air stroke | | | | Spring stroke | |
|-------------|-----|------------|-----|-------|-----|---------------|-----|
| | | 5 | | 6 | | start | end |
| Pressure | - | start | end | start | end | | |
| Position | - | | | | | start | end |
| Torque 90° | Nm | 7.6 | 4.9 | 10 | 7.5 | 7.2 | 4.6 |
| Torque 180° | Nm | 7.8 | 5 | 10.4 | 7.6 | 7.1 | 4.5 |

Note: Dotted image represents optional NAMUR solenoid interface block

EL-O-MATIC™

www.El-O-matic.com

Copyright © Emerson Process Management. The information in this document is subject to change without notice.

Updated data sheets can be obtained from our website www.El-O-matic.com or from your nearest Valve Automation Center **USA:** +1 813 319 0266 **Europe:** +31 74 256 10 10 **Asia-Pacific:** +65 6501 4600



EMERSON™
Process Management