

Subject to change without notice

VALVE AUTOMATION SYSTEMS

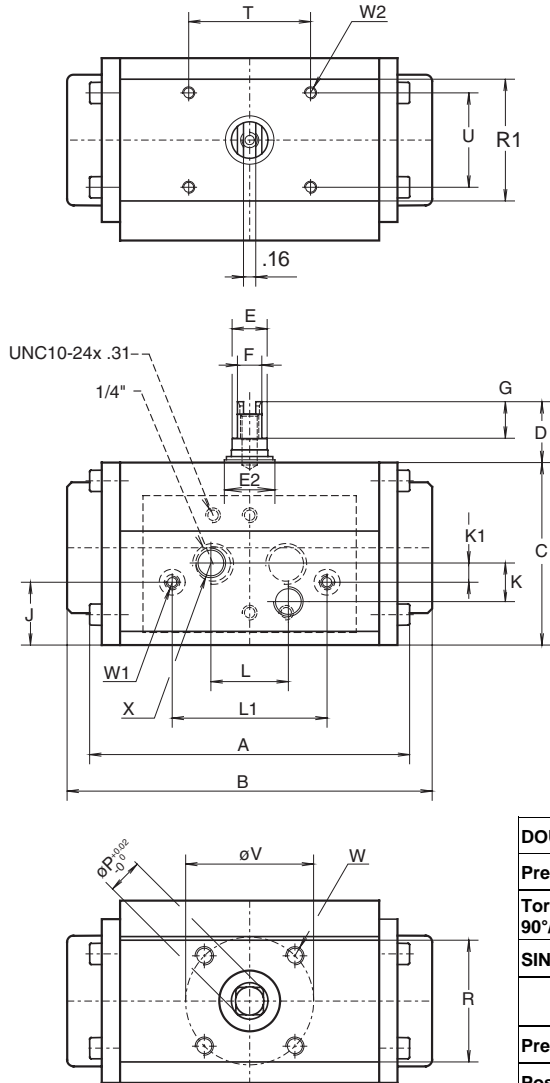
EIL-O-MATIC

www.eil-o-matic.com

Nr.: A 1.103.102

Date: March '06

All rights reserved



Note: Dotted image represents optional NAMUR solenoid interface block

DOUBLE ACTING TORQUE (ED)									
Pressure	psi	40	50	60	70	80	90	100	120
Torque 90°/180°	(in.lb.)	59	74	89	104	119	134	149	179
SINGLE ACTING TORQUE (ES)									
		Air stroke						Spring stroke	
Pressure	psi	60		80		100			
Position	-	start	end	start	end	start	end	start	end
Torque 90°	(in.lb.)	48	23	80	55	112	87	64	41
Torque 180°	(in.lb.)	49	25	81	57	112	88	63	40

DIM. (inch)	90°	180°
A ED	4.06	6.10
B ES	4.65	8.50
C	2.36	2.36
D	0.79	0.79
E	0.63	0.63
E2	0.91	0.91
F	0.39	0.39
G	0.47	0.47
H	2.36	2.36
I	1.30	1.30
J	0.83	0.83
K	0.50	0.50
K1	0.25	0.25
L	1.00	1.00
L1	2.00	2.00
M	0.65	0.65
N	0.394	0.394
O MAX	0.358	0.358
O MIN	0.354	0.354
P	0.476	0.476
R	1.57	1.57
R1	1.57	1.57
T	1.57	1.57
U	1.22	1.22
V	1.654	1.654
W	10-24 UNCx.24	10-24 UNCx.24
W1	10-24 UNCx.24	10-24 UNCx.24
W2	10-24 UNCx.24	10-24 UNCx.24
X	1/8" NPT	1/8" NPT
Y	M6 x .48	M6 x .48

DIMENSION SHEET ACTUATOR ISO

E12 (90°/180°)