

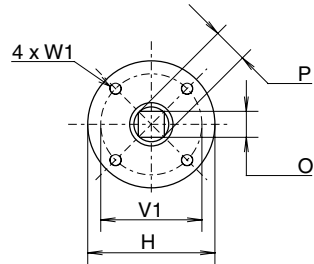
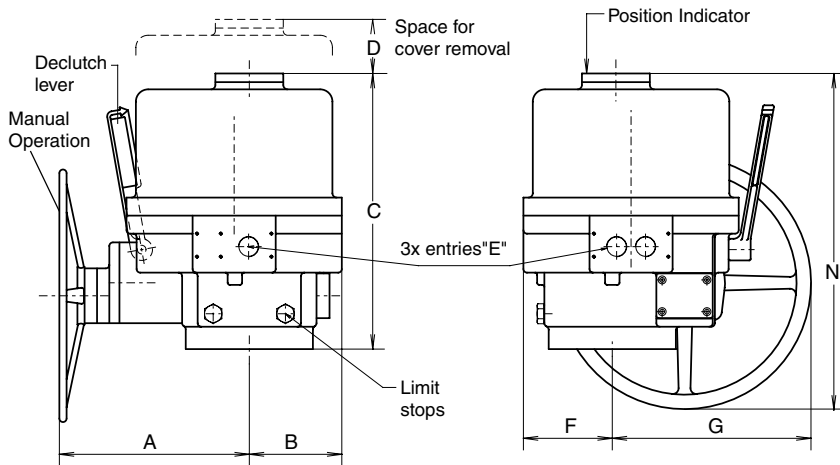
Data sheet

Sheet No.: 5.105.1 Rev. B

Date: February 2012

DIMENSIONS AND TECHNICAL DETAILS - ELECTRIC ACTUATOR

EL Exd



DIM. mm	EL1200/1600	EL2500
A	263	280
B	128	220
C	378	485
D	110	130
E	3x M20	3x M25
F	123	128
G	261	324
H	176	210
M	62	74
N	470	680
O max.	36	46
O min.	36.16	46.16
P	48.2	60.2
V1	140	165
W1	M16x25	M20x32

Description

Type EL actuators use worm and wormwheel reduction gearing to provide tight positioning control and the self locking feature necessary for controlling larger valves, particularly butterfly types.

The explosion proof housing consists of two aluminium castings, this contains the drive motor and worm gear assembly, together with the anti-condensation heater and main terminal strip.

EL actuators take the full range of control options, they have handwheel geared manual overrides, mechanical end position stops and torque switches on all the larger sizes. Visual position indication is by a window in the top cover.

General Specification

Nominal Rotation	: 90° - factory set to $\pm 3^\circ$: Adjustable by limit switches 10° to 320°
Explosion proof	: II 2 G Ex db IIB T4 suitable for ATEX Zones 1, 2 (gas)
Certificate nr.	: DEKRA 12ATEX0001 X
Enclosure	: IP67 (Optional: IP68)
Temperature	: -20°C to +60°C
Connections	: By 12 and 16 point internal terminal strip
Finish	: Two component polyurethane coating
Life	: 50,000 operations minimum
Heather	: 10 Watt
Voltages	
Single phase	: 110-130VAC 50/60Hz : 220-280VAC 50/60Hz : 380-460VAC 50/60Hz
Three phase	: On request
Other voltages	: By torque switches and motor thermostat
Stall protection	: Example: EL1200 Exd
Identification	: Example: EL1200 Exd

Minimum customer switch or contactor rating 16Amp.

Performance		EL1200/1600	EL2500
Torque (Nm)	Break	1200/1600	2500
	Run	420/560	875
Speed (Sec.)	50Hz	25.5	28
Current (A)	220V AC	7	27
	(Max.) 380 3ph	2.8	9
Power (W)	220V AC	450	792
Switches-Indication		4x16A	4x16A
Torque SPDT at 110/240VAC)		2x16A	2x16A
Weight (Kg.)		37	75
Duty rating		30%	30%

EL-O-MATIC™

www.El-O-matic.com

Copyright © Emerson Process Management. The information in this document is subject to change without notice.

Updated data sheets can be obtained from our website www.El-O-matic.com or from your nearest Valve Automation Center **USA**: +1 813 319 0266 **Europe**: +31 74 256 10 10 **Asia-Pacific**: +65 6501 4600



EMERSON™
Process Management