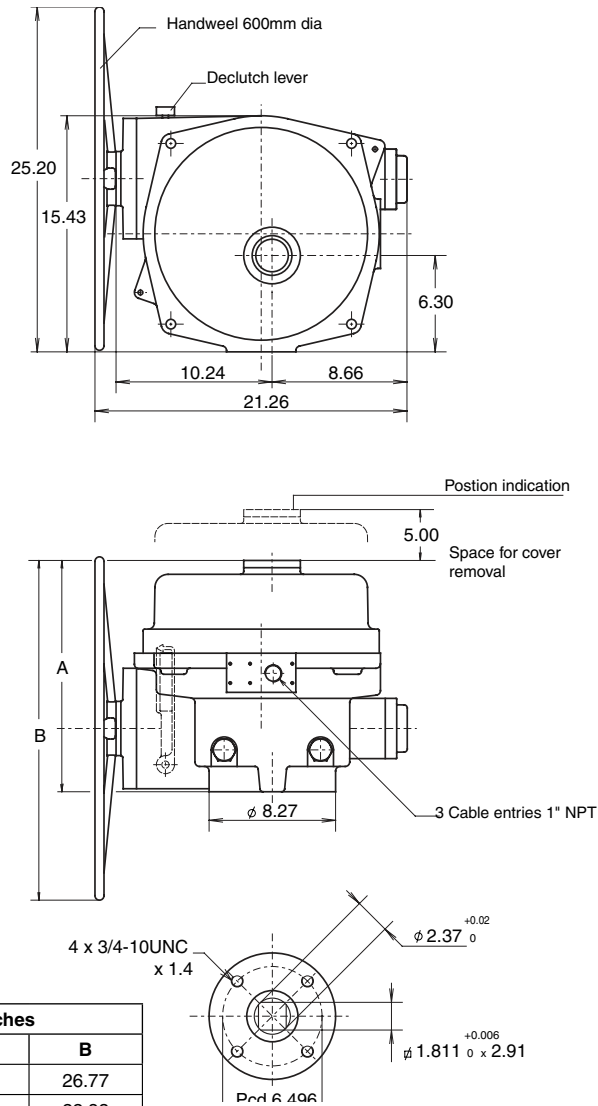


Data sheet

Sheet No.: A5.103.1 Rev.A
Date: November 2009

DIMENSIONS AND TECHNICAL DETAILS

EL 2500



Dim. in inches		
	A	B
110/230V	19.09	26.77
380/460V	15.16	22.83

Description

EL-2500 actuators use worm and wormwheel reduction gearing to provide tight positioning control and the self locking feature necessary for controlling larger valves, particularly butterfly types.

The housing is of two aluminum castings, it contains the drive motor and worm gear assembly, together with the anti-condensation heater and main terminal strip.

EL-2500 actuator take the full range of control options, it has mechanical end position stops and torque switches. Visual position indication is by a window in the top cover.

A geared manual override is fitted as standard, it is engaged by means of a declutching lever. When the motor is energized the unit automatically returns to motor operation, thus ensuring operator safety.

General Specification

Nominal Rotation	: 90° - factory set to ±3° : Adjustable by limit switches: 10° to 320°
Enclosure	: NEMA 4
Temperature range	: -4° to +158° F
Electrical connections	: By 12 and 16 point internal terminal strip
Cable entries	: 3x 1" NPT (optional 3x M25)
Life	: 50.000 operations minimum
Heater	: 20 Watt
Voltages	
- Single phase	: 110-130V 50Hz or 60Hz : 220-240V 50Hz or 240-280V 60Hz
- Three phase	: 380-415V 50Hz or 415-460V 60Hz
Other voltages	: On request
Stall protection	: By torque switches and motor thermostat
Minimum customer switch or contactor rating 16Amp.	

Technical data

Break torque	: 22127 in.lb
Run torque	: 7744 in.lb
Limit switches	: 4x 16 A SPDT
Weight	: 165.3 lb
Duty	: 30%
Torque switches	: 2x 16 A SPDT (adjust. from 13276 to 22127 in.lb)

Voltage/phase/Hz.		120/1/60	230/1/50	380/3/50	460/3/60
Current (A)	break	58	27	9	2
	run	8	6	1.5	1.6
Power consumption (W)		720	792	560	600
Power factor		0.74	0.5	0.67	0.6
Operation time	(sec.)	22.5	28	28	22.5

EL-O-MATIC™

www.El-O-matic.com

Copyright © Emerson Process Management. The information in this document is subject to change without notice.

Updated data sheets can be obtained from our website www.El-O-Matic.com or from your nearest Valve Automation Center **USA:** +1 813 319 0266 **Europe:** +31 74 256 10 10 **Asia-Pacific:** +65 6501 4600

EMERSON™
Process Management