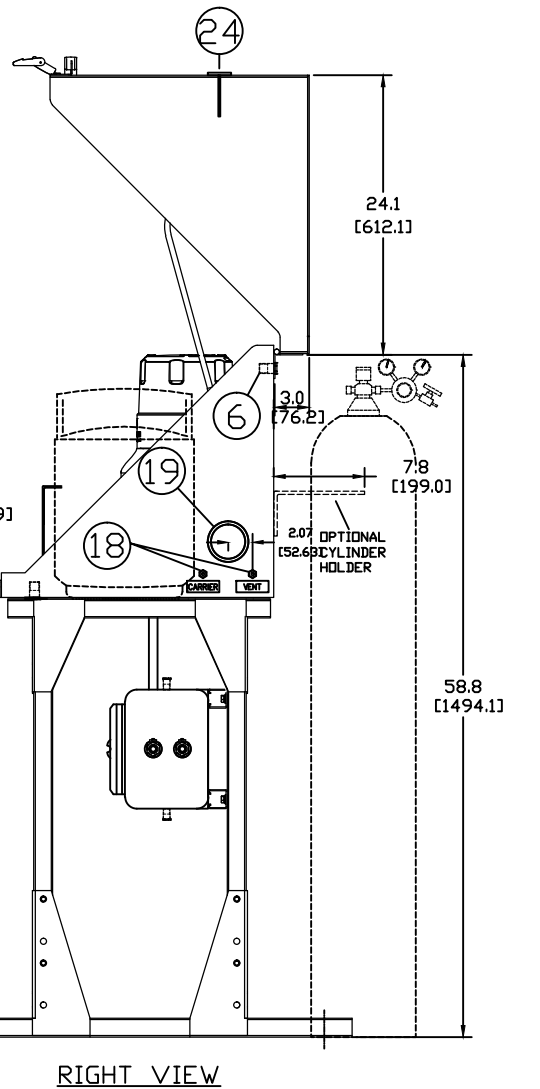
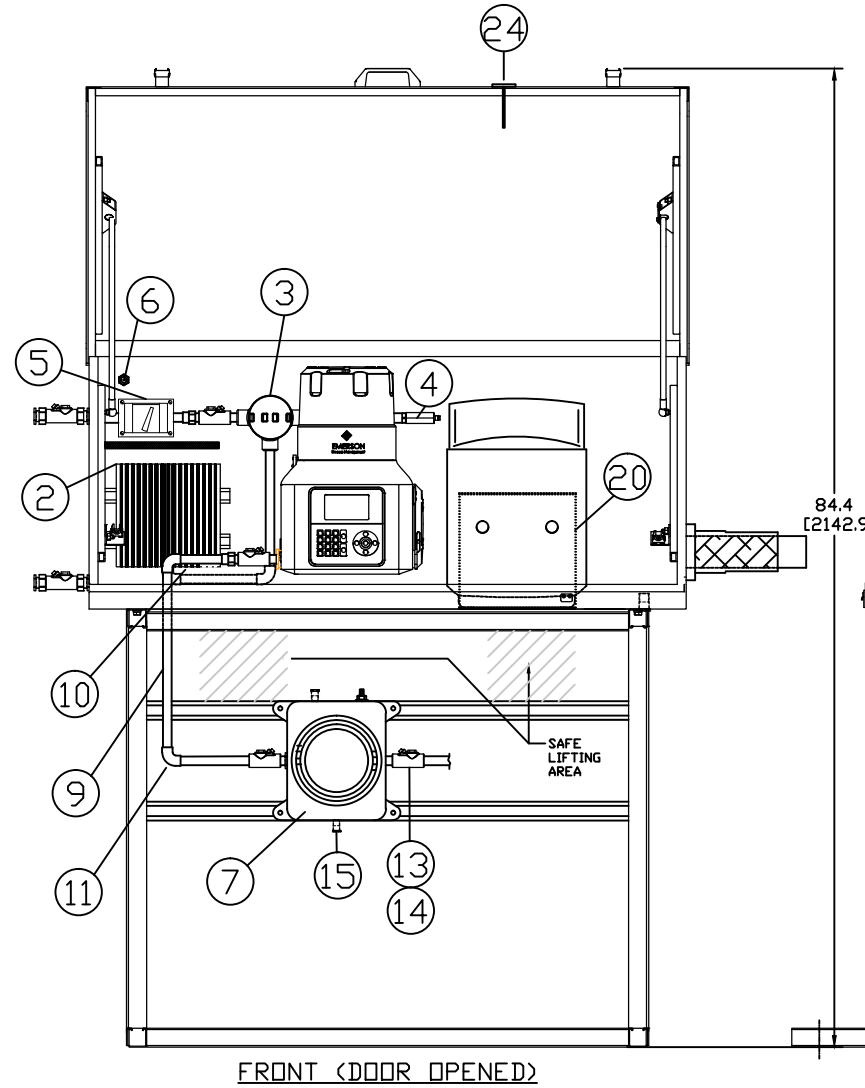
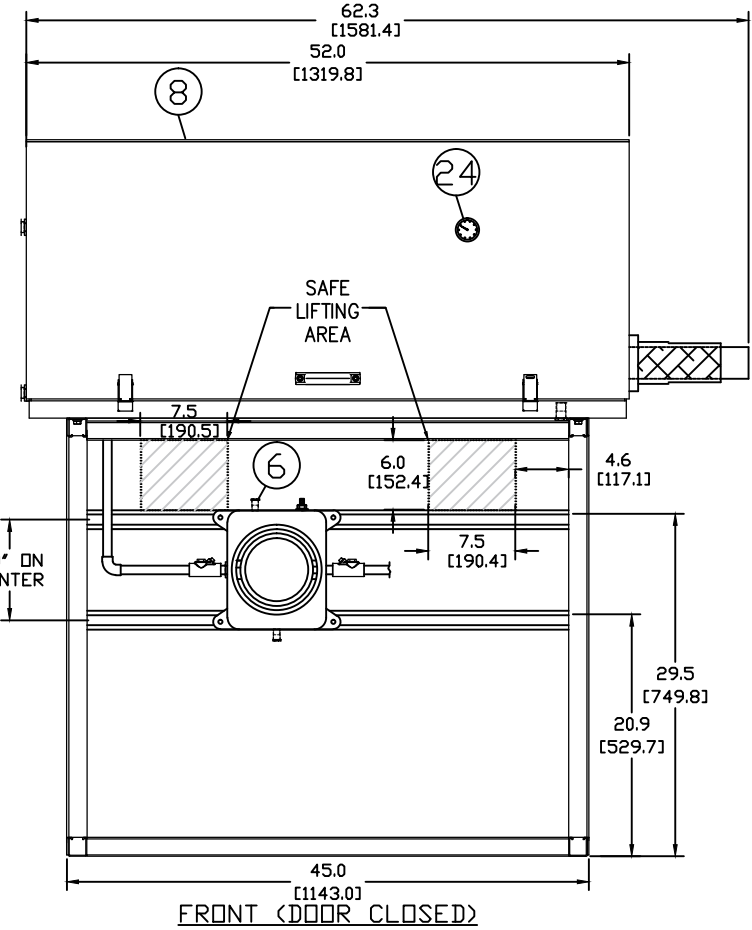
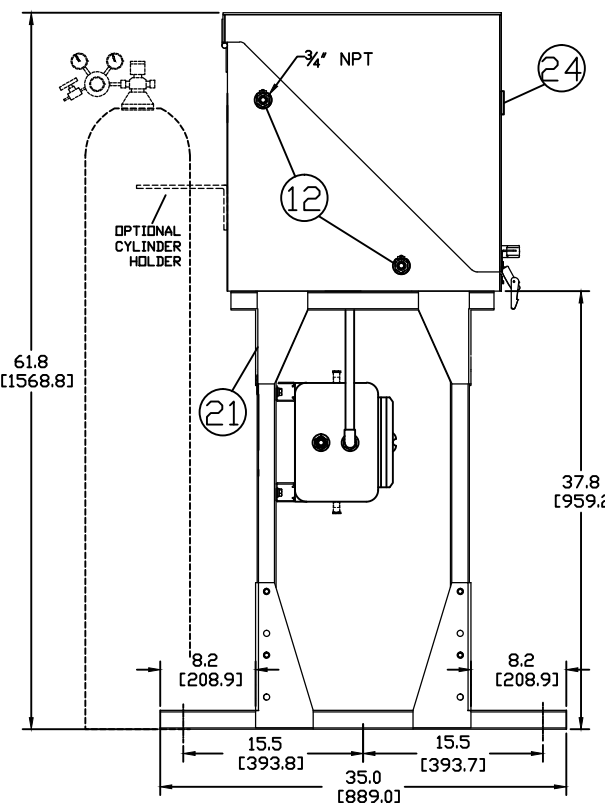


MAJOR ITEMS LISTING

| L.BL | QTY. | REF.  | RAI PART NO. | DESCRIPTION                         |
|------|------|-------|--------------|-------------------------------------|
| 1    | 1    | A1    | 370XA        | GAS CHROMATOGRAPH                   |
| 2    | 1    | H1    | 9-0020-960   | 300 W, 120 VAC HEATER (CERT)        |
| 3    | 1    | -     | -            | JUNCTION BOX (CERT)                 |
| 4    | 1    | TS1   | 9-0020-961   | THERMSTAT (CERT)                    |
| 5    | 1    | SW1   | 5-2971-012   | POWER SWITCH FOR HEATER (CERT)      |
| 6    | 2    | -     | -            | BREATHER (CERT)                     |
| 7    | 1    | JB2   | 9-0020-944   | SIGNAL/POWER JUNCTION BOX (CERT)    |
| 8    | 1    | E1    | 9-00200-997  | 370XA ENCLOSURE                     |
| 9    | 10   | CDN1  | 4-9500-236   | 3/4" NPT CONDUIT, 10 FT             |
| 10   | 5    | CDN2  | 4-4000-146   | 3/4" NPT MALE/FEMALE UNION (CERT)   |
| 11   | 8    | CDN3  | 4-9500-024   | 3/4" NPT ELBOW (CERT)               |
| 12   | 4    | CDN4A | 9-0020-958   | 3/4" NPT MYERS HUB BULKHEADS (CERT) |
| 13   | 5    | CDN4B | 4-4500-130   | 3/4" NPT CONDUIT NIPPLE             |
| 14   | 4    | CDN5  | 4-9500-203   | 3/4" SEAL FNPT (CERT)               |
| 15   | 1    | -     | 4-9311-201   | DRAIN (CERT)                        |
| 16   | 4    | TB1   | 4-5000-058   | 1/4" TO 1/8" REDUCER FITTING        |
| 17   | 2    | TB2   | 4-5000-059   | 1/4" TEE FITTING                    |
| 18   | 2    | BH1   | 9-0020-959   | 1/4" SS BULKHEAD                    |
| 19   | 3    | BT1   | 9-0040-779   | HEAT SHRINK BOOT, 2.10"             |
| 20   | 1    | TG1   | 9-0021-106   | GAS CYLINDER FLOOR-MOUNT BRACKET    |
| 21   | 1    | FR1   | 9-0020-949   | 370XA ENCLOSURE STAND               |
| 22   | 2    | TB3   | 4-5000-064   | 1/8" UNION FITTING                  |
| 23   | 2    | TB4   | 9-0020-959   | 1/4" UNION BULKHEAD FITTING         |
| 24   | 1    | -     | 4-9500-036   | TEMPERATURE GAUGE                   |



| REV | DATE       | DRN | DESCRIPTION       | CHKD | APPD |
|-----|------------|-----|-------------------|------|------|
| 3   | 2016-1-07  | NM  | Issued for Review | SSB  | JDM  |
| 2   | 2015-12-03 | SSB | Issued for Review | JDM  | JDM  |
| 1   | 2015-11-18 | SSB | Issued for Review | JDM  | JDM  |

UNLESS OTHERWISE SPECIFIED  
 SURFACE FINISHES 125  
 TOLERANCE DECIMALS  
 2 PLACE = ± .020  
 FRACTIONS = ± .015  
 3 PLACE = ± .005  
 ANGLES = ± .5  
 CONCENTRICITY .005 TIR  
 INSIDE CORNERS .031 R MAX  
 REMOVE BURRS & BREAK EDGES  
 .005 MIN TO .020 MAX  
 DESIGN DIMS ARE IN INCHES  
 ( ) DENOTES MILLIMETER EQUIVALENTS

PROPRIETARY INFORMATION  
 THIS DOCUMENT CONTAINS INFORMATION PROPRIETARY TO ROSEMOUNT ANALYTICAL INC. AND IS TO BE USED SOLELY FOR THE PURPOSE FOR WHICH IT IS FURNISHED. THIS DOCUMENT SHALL NOT BE USED FOR ENGINEERING, DESIGN, PROCUREMENT, OR MANUFACTURING IN WHOLE OR IN PART WITHOUT THE WRITTEN CONSENT OF ROSEMOUNT ANALYTICAL INC.



| TITLE  |                       |              |                 |
|--|-----------------------|--------------|-----------------|
| Arrangement Drawing<br>370XA Single-Stream Enclosure<br>Rosemount Analytical |                       |              |                 |
| MANAGER<br>JDM   | DOCUMENTED ON<br>ACAD | SCALE<br>1:8 | SHEET<br>1 of 1 |
| SIZE<br>D  | DWG NO.<br>DE-22738   |              |                 |