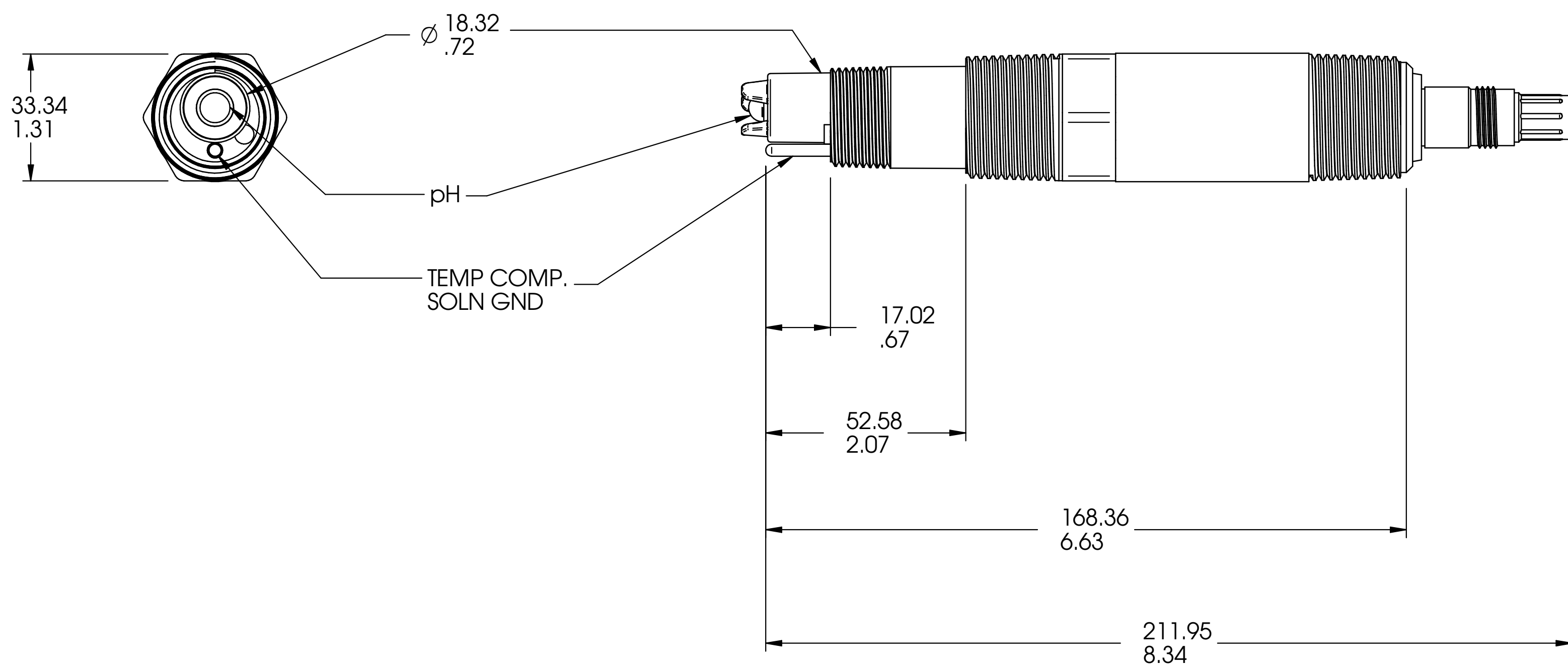
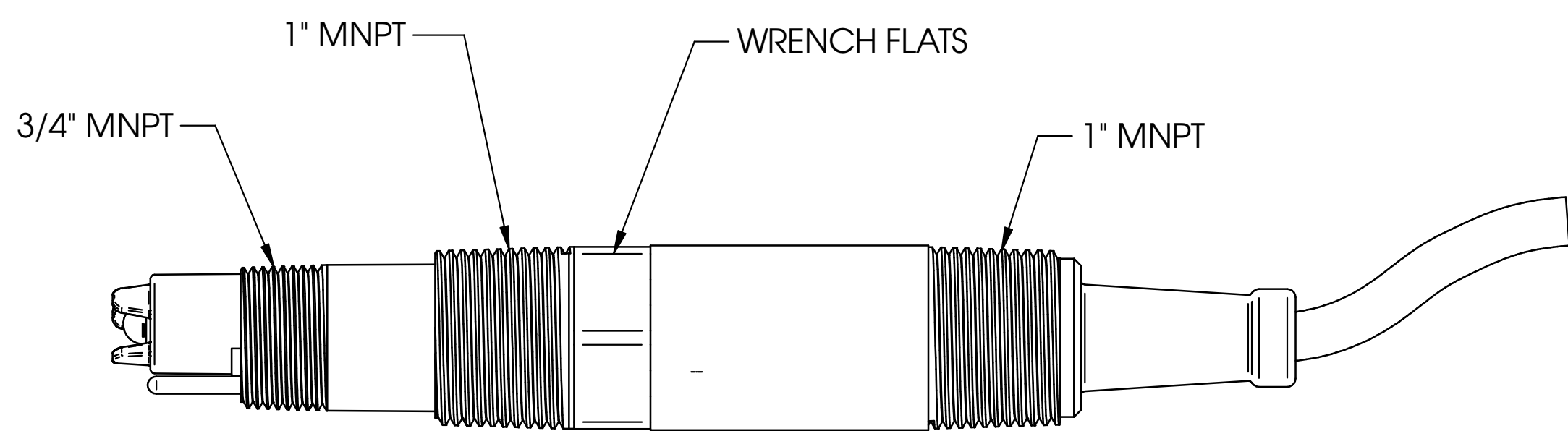


WHEN INCH AND METRIC DIMS
ARE GIVEN
MILLIMETER
INCH

REVISIONS

LTR	DESCRIPTION	BY	DATE	APVD
B	DIMS CHANGED TO REFLECT CHANGES OF 3 D MODEL	CH	7-28-10	R.B.



NOTES: UNLESS OTHERWISE SPECIFIED

APPROVALS		DATE	Rosemount Analytical, Inc. 2400 Barranca Pkwy Irvine, CA 92606
DRAWN	C. HOANG	12-29-09	
CHECKED	RICHARD BARIL	1-04-10	TITLE 3900 DIMENSIONAL DRAWING
PROJECT ENGR APVD			
THIS DWG CREATED IN SOLID EDGE			SIZE B
DWG NO 40390001		REV B	