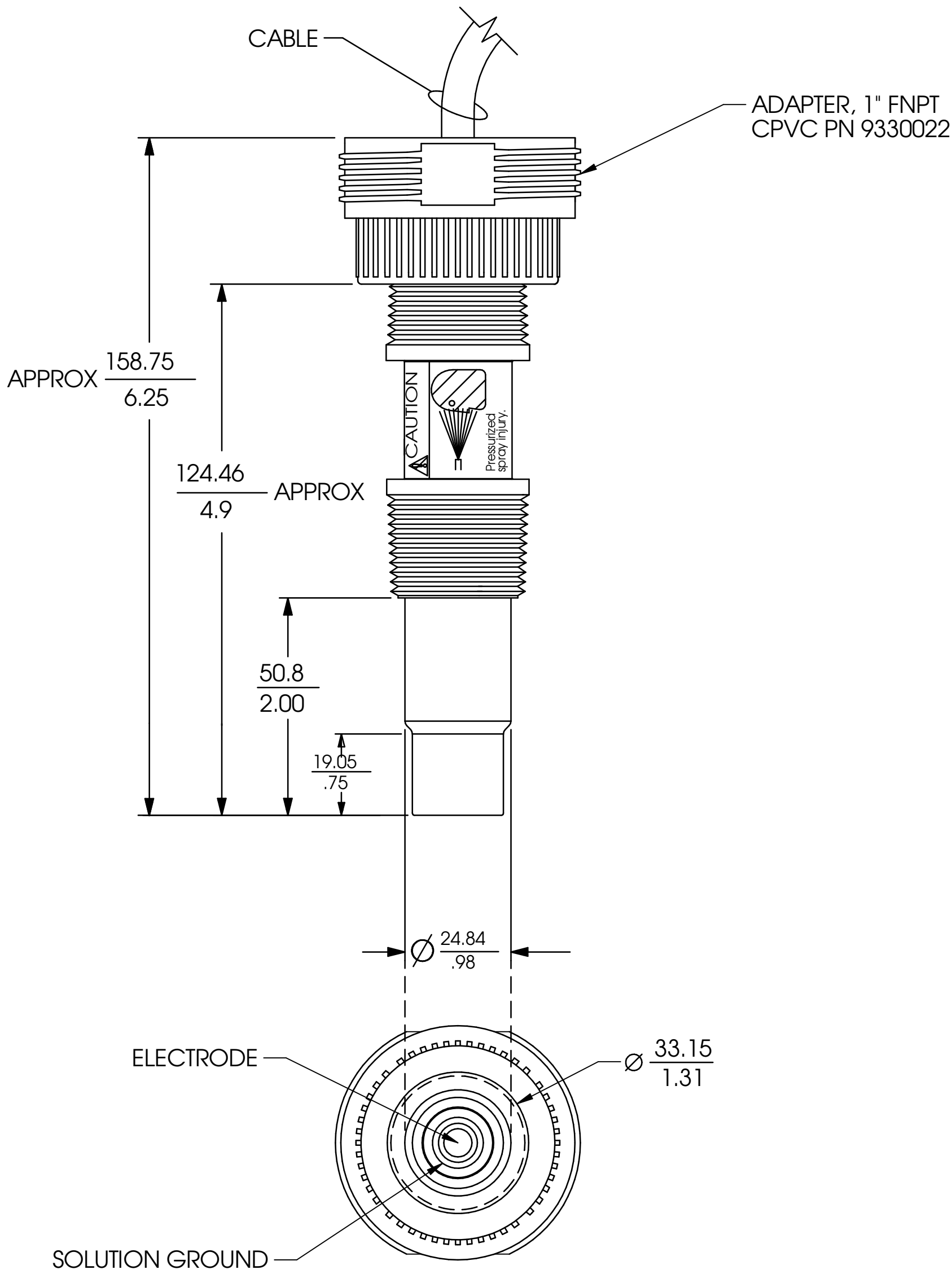


WHEN INCH AND METRIC DIMS
ARE GIVEN

INCH
MILLIMETER

REVISIONS			
LTR	DESCRIPTION	DATE	APVD
B	CAUTION LABEL PRESSURE SPECIFICATION IS: 100-790 kPa (0-100 PSIG) WAS: 100-1135 kPa (0-150 PSIG) ECO 7017	03/02/00	BEN



CAUTION

**Pressurized
spray injury.**

⊕ U.S. and foreign
patents pending

Do not exceed pressure
and temperature
specifications.
100-790 kPa (0-100 PSIG)
0-100°C (32-212°F)

Remove pressure and
allow to cool before
removal.

Read and follow manual.

CAUTION LABEL

NOTES: UNLESS OTHERWISE SPECIFIED

APPROVALS		DATE
DRAWN	B APURON	09/09/98
CHECKED	L MEYERS	09/10/98
PROJECT ENGR	APVD	
THIS DWG CONVERTED TO SOLID EDGE		

Emerson	<small>Emerson Process Management Rosemount Analytical Division 2400 Barranca Pkwy Irvine, CA 92606</small>	
	TITLE MODEL 396P WITH FLAT GLASS AND WITH 9330022 ADAPTER DIMENSIONAL DRAWING	
B SIZE	DWG NO 40396P36	REV B