

# DVC6200 Digital Valve Controller on Fisher 585C Size 68 with 2.01 to 4.00 Inch Travel (Linear Roller Cam)

## Mounting Instructions

D103468X012  
September 2010

Use these instructions to mount a Fisher® FIELDVUE™ DVC6200 digital valve controller on Fisher 585C size 68 actuator with 2.01 to 4.00 inch travel.



### WARNING

**Avoid personal injury or property damage from sudden release of process pressure or bursting of parts. Before performing any maintenance operations:**

- **Always wear protective clothing, gloves, and eyewear.**
- **Do not remove the actuator from the valve while the valve is still pressurized.**
- **Disconnect any operating lines providing air pressure, electric power, or a control signal to the actuator. Be sure the actuator cannot suddenly open or close the control valve.**
- **Use bypass valves or completely shut off the process to isolate the control valve from process pressure. Relieve process pressure from both sides of the control valve.**
- **Vent the pneumatic actuator loading pressure and relieve any actuator spring precompression.**
- **Use lock-out procedures to be sure that the above measures stay in effect while you work on the equipment.**
- **Check with your process or safety engineer for any additional measures that must be taken to protect against process media.**

Refer to figure 3 and the parts list for mounting parts identification. Refer to the DVC6200 digital valve controller instruction manual for digital valve controller parts identification. Refer to the appropriate actuator instruction manual for actuator installation, operation, maintenance, and parts identification. Figure 1 shows the arced feedback assembly (RShaft Window #1).

1. Isolate the control valve from the process line pressure and release pressure from both sides of the valve body. Shut off all pressure lines to the actuator, releasing all pressure from actuator. Use lock-out procedures to be sure that the above measures stay in effect while you work on the equipment.

2. During the attachment of the cam bracket (key 2) to the valve stem connector it will be necessary to remove the stem connector cap screws. Consult the appropriate actuator instruction manual for proper actuator disassembly and reassembly.

3. Attach the cam bracket (key 2) to the stem connector using two stud bolts (key 1), two plain washers (key 4), two lock washers (key 3) and four hex nuts (key 5).

4. Attach the cam (key 7) to the cam bracket using two plain washers (key 4), two lock washers (key 3), two hex head screws (key 8), and two hex nuts (key 5). Use spacers (key 6) in between cam and cam bracket. Ensure that the cam is oriented as per the mounting assembly drawing.

5. Attach the mounting plate (key 9) to the actuator yoke top mounting face using two lock washers (key 10) and two hex head screws (key 11). Additionally, use the spacer (key 12) in between the mounting plate and the yoke mounting face, as shown in figure 3. Similarly, attach the mounting plate to the bottom yoke mounting by using a spacer (key 14), stud (key 13), plain washer (key 15), lock washer (key 10) and hex nut (key 16).

6. Attach the digital valve controller to the arced feedback assembly (key 17) using the four metric hex socket cap screws (key 19).

7. Attach the arced feedback assembly along with the digital valve controller to the mounting plate using the four imperial hex socket cap screws (key 18) as shown in figure 3. Ensure that the roller of the arced feedback assembly is centered and resting on the cam surface as shown in figure 2.

8. Ensure that the cam is positioned so that when the actuator stem is fully extended, the roller lines up with the mark on the cam.

9. Make pneumatic and electrical connections to the digital valve controller as described in the digital valve controller instruction manual.

10. It may be necessary to fine tune the placement of the cam so that the digital valve controller receives the proper feedback.

11. Setup and calibrate the digital valve controller as described in instruction manual or quick start guide.

For additional information concerning mounting, setup, calibration, and maintenance of the DVC6200 digital valve controller, refer to the appropriate instruction manual.



# DVC6200 Digital Valve Controller on Fisher 585C Size 68 with 2.01 to 4.00 Inch Travel (Linear Roller Cam)

**Mounting Instructions**  
D103468X012  
September 2010

PART LIST		
KEY	QTY	DESCRIPTION
1	2	STUD BOLTS,CONT THD
2	1	CAM BRACKET
3	4	LOCK WASHER
4	4	PLAIN WASHER
5	6	HEX NUT
6	2	SPACER
7	1	CAM
8	2	HEX HD SCREWS
9	1	MOUNTING PLATE
10	3	LOCK WASHER
11	2	HEX HD SCREWS
12	2	SPACER
13	1	STUD BOLTS,CONT THD
14	1	SPACER
15	1	PLAIN WASHER
16	1	HEX NUT
17	1	ARCED FEEDBACK ASSEMBLY
18	4	SOCKET SCREWS (IMPERIAL)1
19	4	SOCKET SCREWS (METRIC)2

1. THE IMPERIAL SOCKET SCREWS CAN BE IDENTIFIED BY THE COARSER THREADS.  
2. THE METRIC SCREWS HAVE A SLIGHTLY LARGER HEAD THAN THE IMPERIAL SOCKET SCREWS

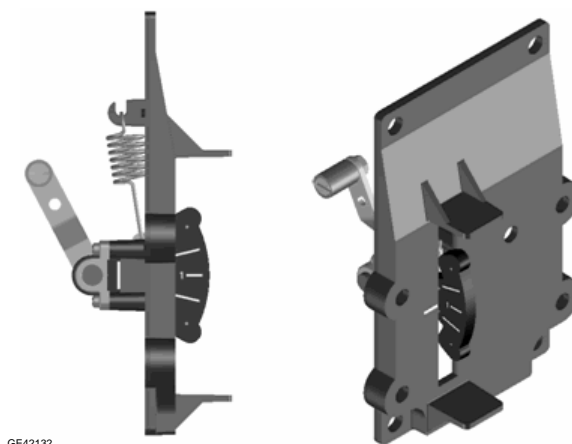


Figure 1. Arced Feedback Assembly (RShaft Window #1)

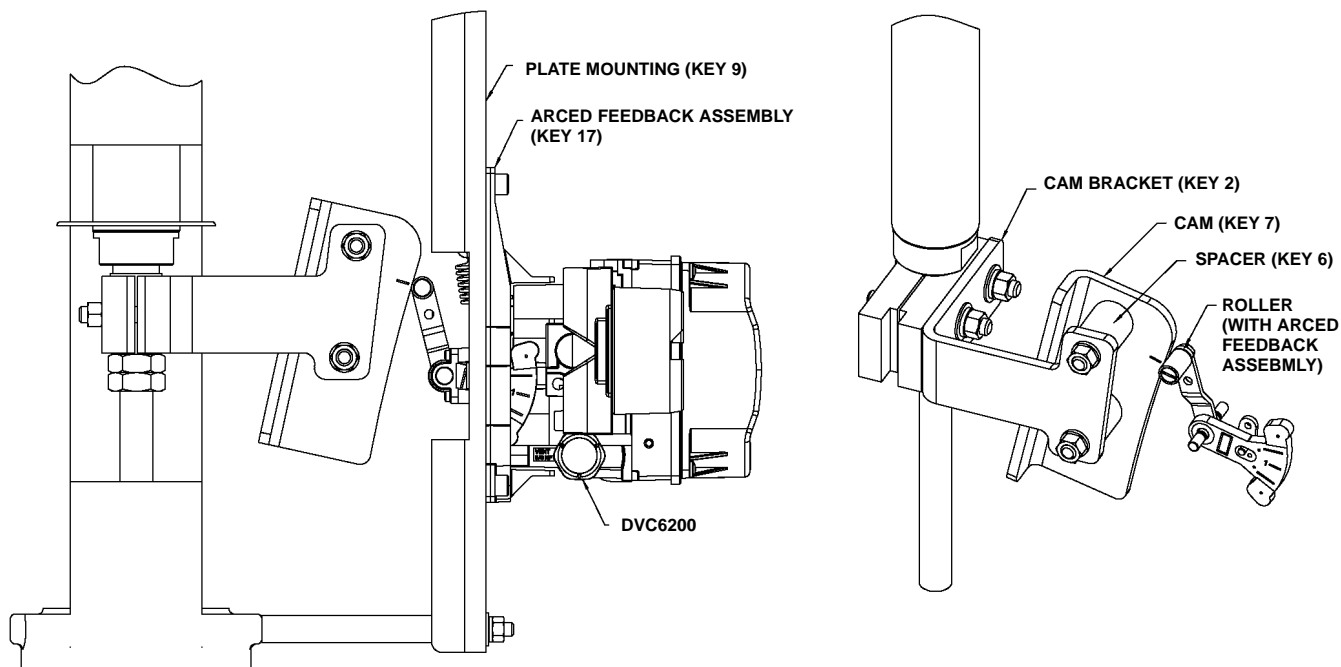


Figure 2. Installing CAM and Roller Feedback Assembly

# DVC6200 Digital Valve Controller on Fisher 585C Size 68 with 2.01 to 4.00 Inch Travel (Linear Roller Cam)

## Mounting Instructions

D103468X012  
September 2010

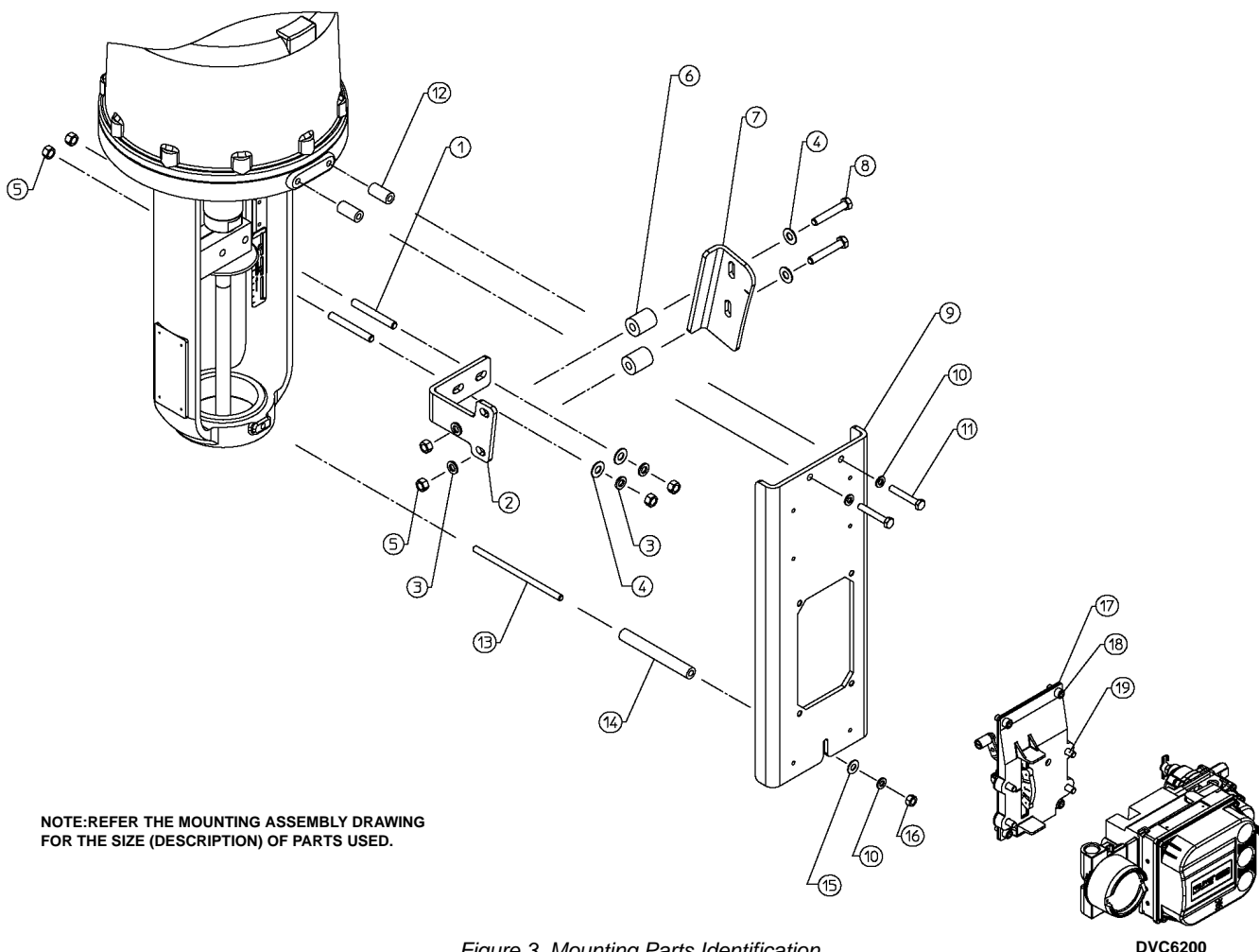


Figure 3. Mounting Parts Identification

### Note

**Neither Emerson, Emerson Process Management, nor any of their affiliated entities assumes responsibility for the selection, use or maintenance of any product. Responsibility for the selection, use and maintenance of any product remains with the purchaser and end user.**

Fisher and FIELDVUE are marks owned by one of the companies in the Emerson Process Management business division of Emerson Electric Co. Emerson Process Management, Emerson, and the Emerson logo are trademarks and service marks of Emerson Electric Co. All other marks are the property of their respective owners.

The contents of this publication are presented for informational purposes only, and while every effort has been made to ensure their accuracy, they are not to be construed as warranties or guarantees, express or implied, regarding the products or services described herein or their use or applicability. All sales are governed by our terms and conditions, which are available upon request. We reserve the right to modify or improve the designs or specifications of such products at any time without notice. Neither Emerson, Emerson Process Management, nor any of their affiliated entities assumes responsibility for the selection, use or maintenance of any product. Responsibility for proper selection, use, and maintenance of any product remains solely with the purchaser and end user.

### Emerson Process Management

Marshalltown, Iowa 50158 USA  
Sorocaba, 18087 Brazil  
Chatham, Kent ME4 4QZ UK  
Dubai, United Arab Emirates  
Singapore 128461 Singapore

[www.Fisher.com](http://www.Fisher.com)