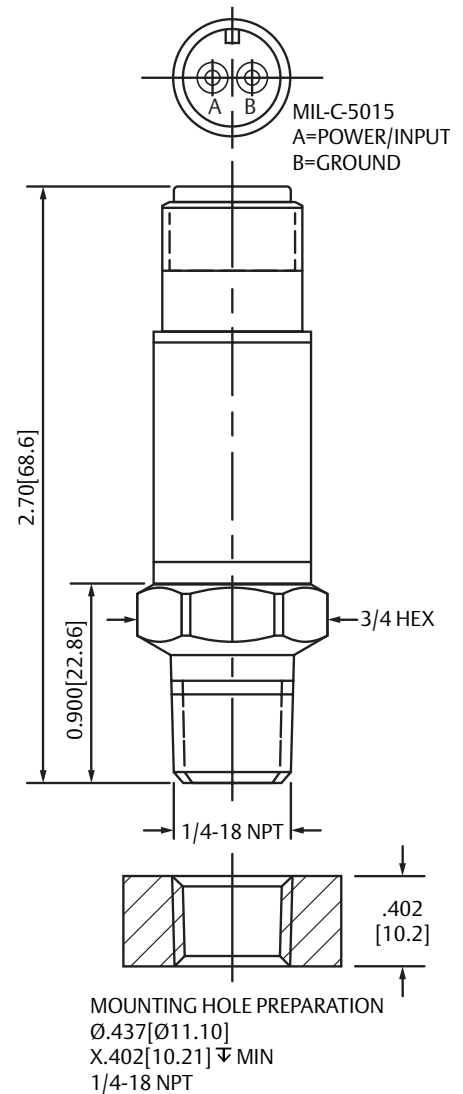


Dynamic Pressure Sensor

The A0730DP measures dynamic pressure pulsations in fluid lines such as press loading lines and paper machine stock approaches. A dynamic pressure sensor can see the influence of pressure pulsations caused by blade pass frequency from a pump or fan.

Dynamic Performance	
Sensitivity ($\pm 15\%$)	14.5 mV/kPa (100 mV/psi)
Measurement Range	± 344.8 kPa (± 50 psi)
Maximum Static Pressure	55.16 MPa (8000 psi)
Rise Time	≤ 4 μ s
Frequency Range	0.50 to < 60000 Hz (30 to 3,600,000 cpm)
Mounted Resonant Frequency	≥ 60 kHz
Amplitude Linearity	$\pm 2\%$ Full Scale
Acceleration Sensitivity	≤ 0.035 kPa/m/s ² (≤ 0.05 psi/g)
Environmental	
Temperature Range	-54 to 121°C (-65 to 250°F)
Sealing / Rating	Welded Hermetic / IP68
Electrical	
Output Polarity (Positive Pressure)	Positive
Discharge Time Constant	≥ 1.0 sec
Excitation Voltage / Current	22 to 28 VDC / 2 to 20 mA
Output Impedance	< 100 ohms
Output Bias	10 to 15 VDC
Case Isolation	$> 10^8$ ohms
Mechanical	
Weight	75.6 grams (2.7 oz)
Sensor Element / Geometry	Quartz / Compression
Case Material	Stainless Steel
Diaphragm Material	Stainless Steel
Supplied Accessories	
Multi Point Calibration	

NOTE: It's important that the pressure sensor diaphragm be mounted flush with the inside surface of the wall of the pressure source.



Emerson
Reliability Solutions
835 Innovation Drive
Knoxville, TN 37932 USA
☎ +1 865 675 2400

🌐 www.emerson.com/ams

©2017, Emerson. All rights reserved.

The Emerson logo is a trademark and service mark of Emerson Electric Co. All other marks are the property of their respective owners.

The contents of this publication are presented for informational purposes only, and while every effort has been made to ensure their accuracy, they are not to be construed as warranties or guarantees, express or implied, regarding the products or services described herein or their use or applicability. All sales are governed by our terms and conditions, which are available on request. We reserve the right to modify or improve the designs or specifications of our products at any time without notice.