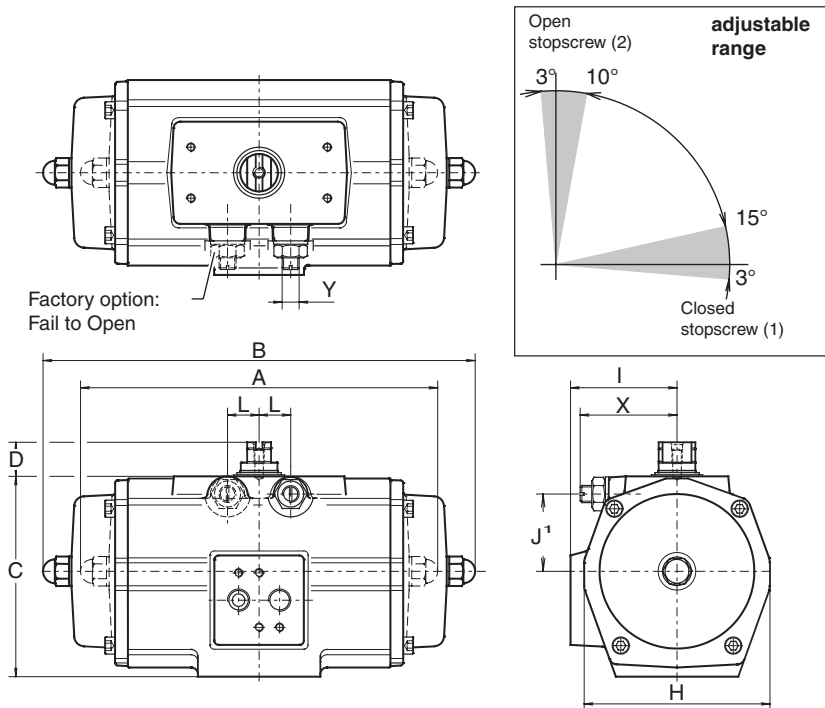


# Data sheet

Sheet No.: 1.501.05 Rev. B  
Date: June 2013

## EL-O-MATIC ACTUATOR WITH DOUBLE STROKE ADJUSTMENT

DSA



### Description

Actuators with double stroke adjustment are normally used for high performance butterfly valves where a fine adjustment is required for the closed position. In this version adjustment is provided at the end of the opening and closing stroke positions. DSA actuators may be double acting or spring return, though are normally used as spring return (fail close) actuators.

### Operation

The closed position is adjusted by means of the stop-screw (1) located in the actuator body and for the open position by the stop-screws (2) in the actuator end caps.

### Identification

See data sheet A 1.102.10.

### Specification

Pressure	: Up to 8 bar
Operating media	: Air, dry or lubricated or non-corrosive gas
Torque (90°)	: Data sheet 1.104.01 - 1.104.02
Rotation -	
Spring return	: Clock-wise on air failure.
Double acting	: Counter clock-wise with port "A" pressurised.
Other dimensions	: Data sheet 1.103.XXX
Temperature	: -20° to +80°C
Adjustable range	: Closed position (1), +3°/- 15° Open position (2), 80° - 93°

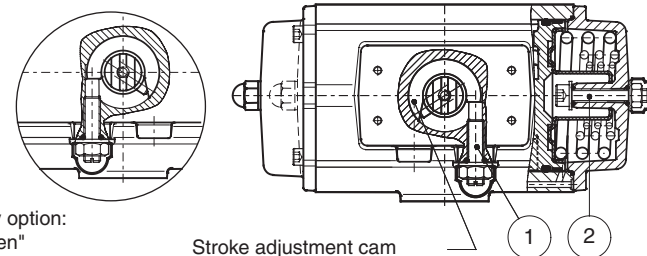
### Note

- 1) Can be provided with extra long end-cap stop screws for full range adjustment of the "open" position.
- 2) This DSA option is not required on actuators fitted with manual override gearboxes, as MO gearboxes already incorporate this function.

### Important

- 1) "Fail open" is factory option.
- 2) When a standard Fail to Close actuator is re-assembled for "Fail to Open" operation (code D; see data sheet 1.504), both stop-screws (1) and (2) will adjust the closed position. There is no adjustment for the open position!
- 3) Vice versa: When a Fail to Open actuator is re-assembled for "Fail to Close" operation (code A; see data sheet 1.504), both stop-screws (1) and (2) will adjust the open position. There is no adjustment for the closed position!

Dim.	Actuator type									
in mm	E25	E40	E65	E100	E150	E200	E350	E600	E950	E1600
A DA	159	180	199	221	254	283	305	390	440	520
B SR	172	204	249	267	310	360	387	480	532	641
C	80	93	105	118	140	143	181	220	259	297
D	20	20	20	20	20	20	20	30	30	30
H	74	86	98	108	121	128	173	207	231	264
I	46	51	57.5	63	70	73	94.3	113	126	142
J1	28.3	35.1	40	43.7	48.7	53.9	72.5	88.8	102.4	114.4
L	11.5	15.5	15.5	18.5	24.6	24.6	24.6	41.5	41.5	47.5
Y	M6	M8	M8	M10	M10	M12	M12	M16	M16	M20
X	36	41.5	41.5	50.5	60	62.5	72.5	102	102	109.5
X max.	41.5	48.5	48.5	58.5	67	74	84	114.5	114.5	124



Factory option:  
"Fail open"

Stroke adjustment cam

1 2

**EL-O-MATIC™**

www.El-O-matic.com

Copyright © Emerson Process Management. The information in this document is subject to change without notice.

Updated data sheets can be obtained from our website [www.El-O-matic.com](http://www.El-O-matic.com) or from your nearest Valve Automation Center **USA**: +1 281 4100 **Europe**: +31 74 256 10 10 **Asia-Pacific**: +65 6501 4600

**EMERSON™**  
Process Management