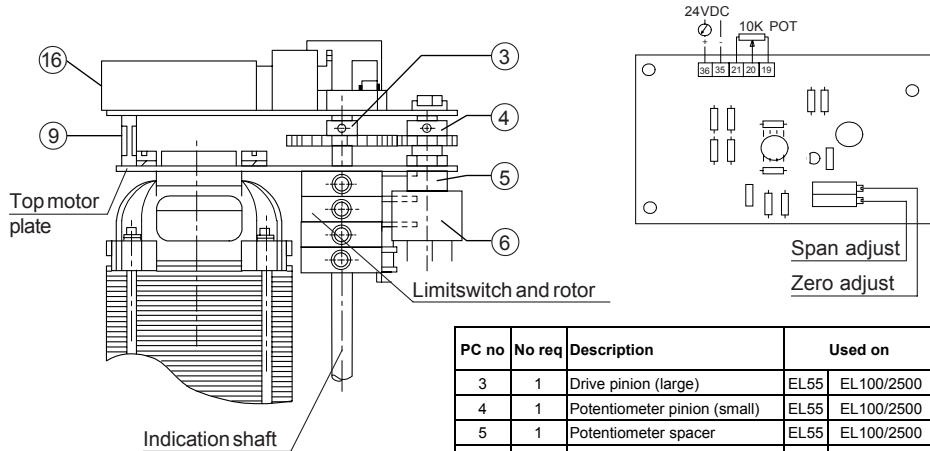


# Data sheet

Sheet No.: A5.205.01 Rev.B  
Date: February 2013

## EL ACTUATOR WITH mA POSITION TRANSMITTER, 2-WIRE (Kit option)



PC no	No req	Description	Used on
3	1	Drive pinion (large)	EL55 EL100/2500
4	1	Potentiometer pinion (small)	EL55 EL100/2500
5	1	Potentiometer spacer	EL55 EL100/2500
6	1	Potentiometer 10K Ohm	EL55 EL100/2500
9	3	Printspacer	EL55
9	3	Spacer/screw	EL100/2500
16	1	Position transmitter board	EL55 EL100/2500

### Description

This electric actuator variation provides a continuous position indication by transmitting a 4 to 20 milli-Amp signal, this is proportional to the output shaft position.

This 2 wire version consists of a potentiometer and an electronic card fed from an external (24VDC.) power supply.

The card is equipped with trimmers for zero and span adjustment and terminals for the internal and external connections.

### Construction

The potentiometer and circuit board located on the top motor plate are wired as shown, using the board's own terminal strip.

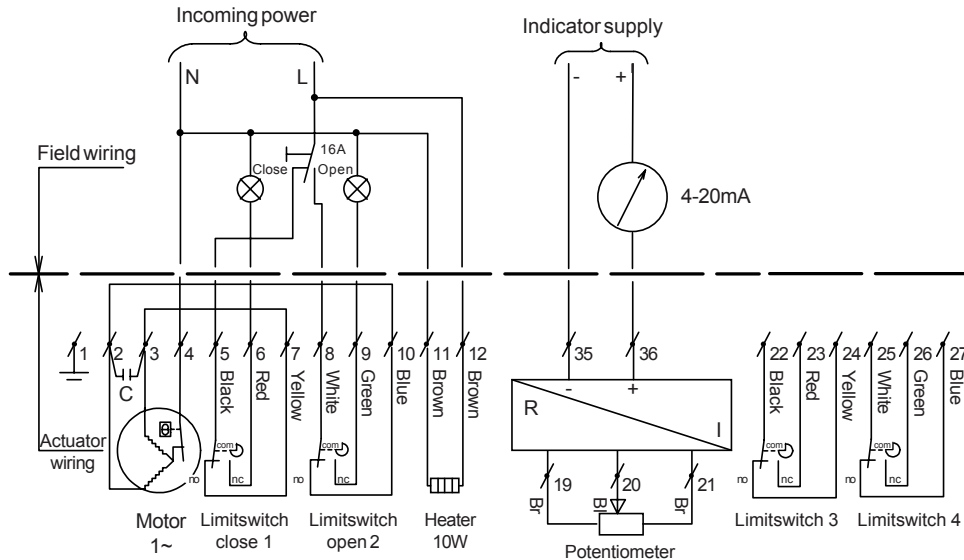
### Specification

Input : 24VDC.  
Output : 4 to 20 mA, with adjustable zero and span  
Temperature : -4°F to +158°F  
Potentiometer : 10KΩ (see sheet A5.202)

### Identification

Factory Option : Add "+ PT2" to the basic actuator size  
: eg. EL100 120/60 + PT2  
Kit Option : Actuator size is added to: "Kit, PT2"  
: eg. Kit, PT2/EL 55 120/60

- Note**
- 1) When supplied as a kit option, all the components as shown are included, together with an instruction sheet
  - 2) Wiring diagram is shown with actuator in mid position
  - 3) Wiring diagram for EL55 120V/50Hz + PT2



**EL-O-MATIC™**

www.El-O-matic.com

Copyright © Emerson Process Management. The information in this document is subject to change without notice.

Updated data sheets can be obtained from our website [www.El-O-Matic.com](http://www.El-O-Matic.com) or from your nearest Valve Automation Center **USA:** +1 813 319 0266 **Europe:** +31 74 256 10 10 **Asia-Pacific:** +65 6501 4600



**EMERSON™**  
Process Management