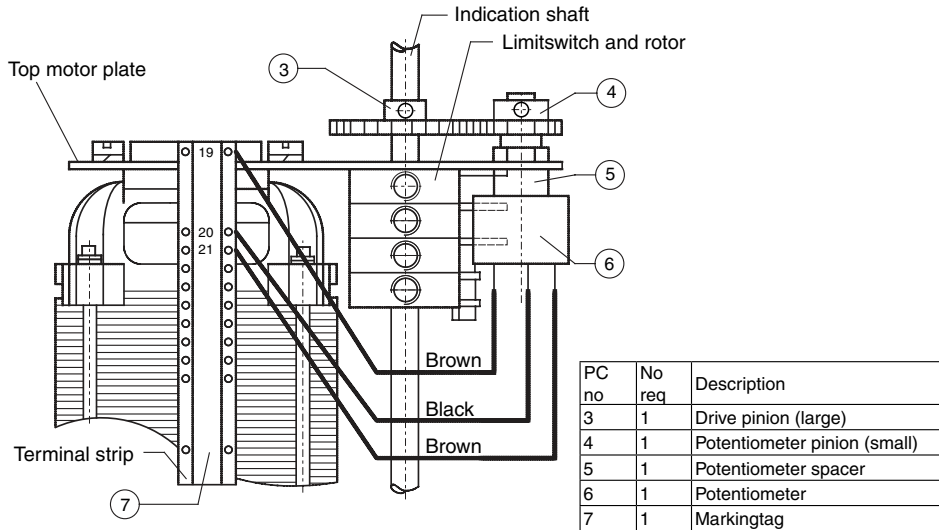


Data sheet

Sheet No.: A5.202 Rev.A
Date: November 2009

EL ACTUATOR WITH POTENTIOMETER (Kit option)

POT



Description

This electric actuator variation has the addition of a potentiometer to provide continuous indication of the actuator (and therefore valve) position. When wired as shown a voltage signal will indicate an analog position.

Construction

The potentiometer is fitted into a pre-drilled hole in the top motor plate and driven, by a pair of spur gears, so that the 90° rotation of the indicator shaft turns the potentiometer spindle through it's full operational travel.

The potentiometer is wired to the terminal strip and may be wired externally via one of the spare electrical entries. This is particularly important if the indication voltage is different from the power voltage.

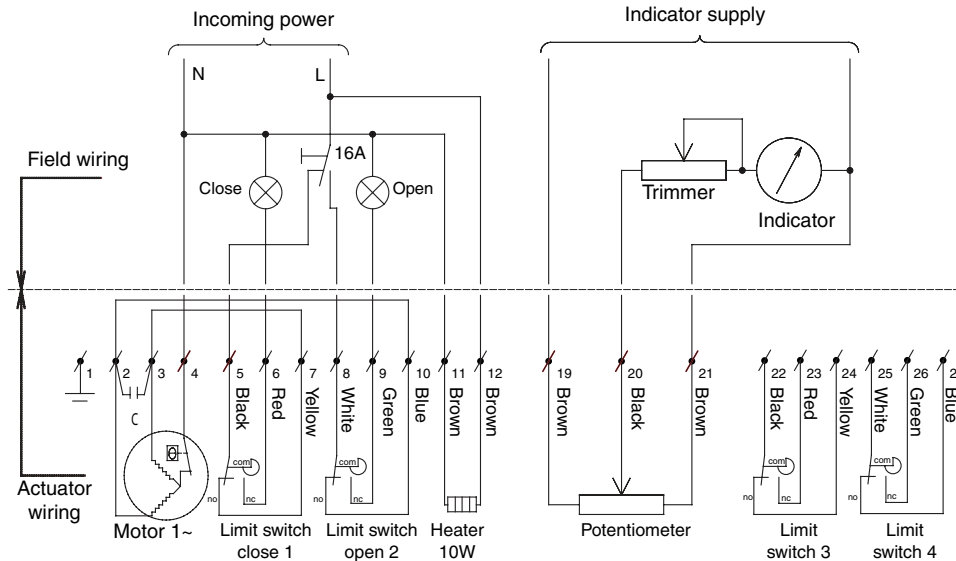
Specification

Potentiometer	Make	: SFERNICE
	Voltage	: Up to 350V
	Power	: 1 Watt
	Temperature	: -4°F to +158°F
	Resistance	: 10KΩ (±20%)
	Type	: Cermet
	Linearity	: 2%
	Mech. rotation	: 270°
	Electrical rotation	: 270°
	Max. terminal resistance	: 2Ω

Identification

- Factory Option : Add "+ POT" to the basic actuator size
: eg. EL 55 220/50 + POT
- Kit Option : Actuator size is added to: "Kit, POT"
: eg. Kit, POT/EL 55 120/50

- Note**
- 1) When supplied as a kit option, all the components as shown are included, together with an instruction sheet
 - 2) A special version is required for more than 90°
 - 3) Wiring diagram for EL55 120V/60Hz + POT



EL-O-MATIC™

www.El-O-matic.com

Copyright © Emerson Process Management. The information in this document is subject to change without notice.

Updated data sheets can be obtained from our website www.El-O-Matic.com or from your nearest Valve Automation Center **USA:** +1 813 319 0266 **Europe:** +31 74 256 10 10 **Asia-Pacific:** +65 6501 4600



EMERSON™
Process Management