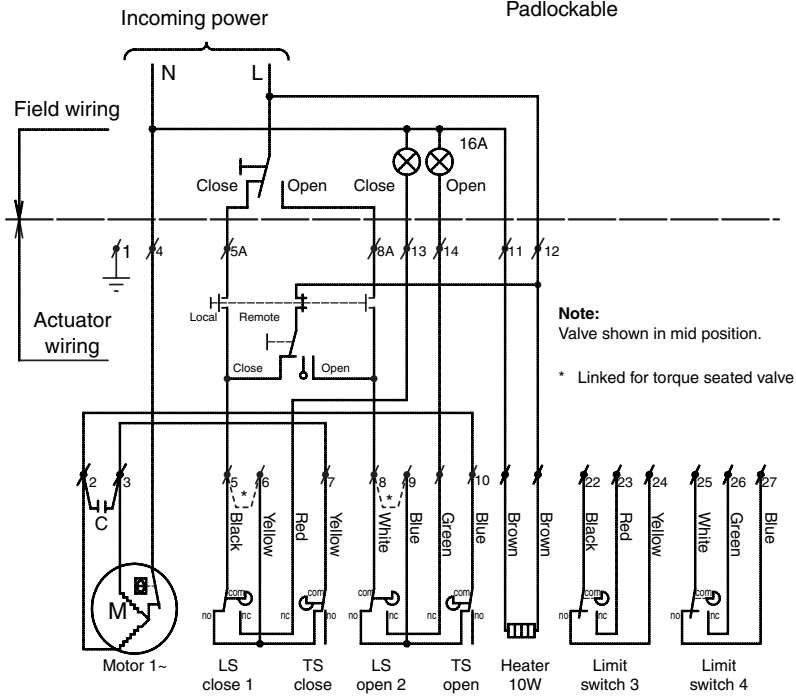
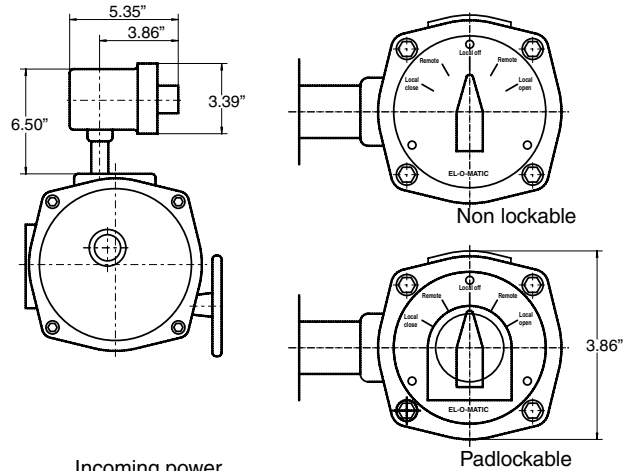


# Data sheet

Sheet No.: A5.207.1 Rev. B  
Date: February 2012

## EL EX-PROOF ACTUATOR WITH LOCAL CONTROL STATION (FLAME-PROOF Ex d) LC-Ex



### Description

This electric actuator variation for use on an explosion proof actuator has the addition of a local control box, with a single rotary 5 position switch with 5 SPST contacts.

The switch selects between: "LOCAL OPEN", "REMOTE", "OFF", "REMOTE" and "LOCAL CLOSE".

When in "LOCAL OPEN" or "LOCAL CLOSE" position the actuator can not be operated remotely.

This local control station is certified flame proof according to EN50014 and EN50018 and bears ATEX marking II 2 G Ex db IIB T4.

### Construction

The control station is located on the side of an ATEX II 2 G Ex db IIB T4 flame proof electric actuator and all the connection wiring is contained internally.

### Specification

Switches	Type	: Santon
	Model	: H1 P-EE1
	Voltage	: Up to 600V
	Current	: 20A max. (resistive load)
	Temperature	: -4°F to + 140°F

### Housing

Material	: Aluminum
Finish	: Two component polyurethane

### Flame proof

Marking	: II 2 G Ex db IIB T4, suitable for ATEX Zones 1, 2 (gas)
Certificate nr.	: DEKRA 12ATEX0001 X
Actuator sizes	: EL 35, EL 55, EL100, EL150, EL200, EL350, EL500 and EL800

### Identification

Factory Option	: Add "+ LC-Ex" (non lockable or "+LCL-Ex" (padlockable) to the basic actuator size eg. EL100 120/60 + LC-Ex
----------------	--

### Note

- 1 This option is not supplied as a kit option, only as a factory option
- 2 Both local/remote and close/stop/open switches are combined into one switch
- 3 Wiring diagram for EL100-EL800 120V/60Hz + LC-Ex

**EL-O-MATIC™**

www.El-O-matic.com

Copyright © Emerson Process Management. The information in this document is subject to change without notice.

Updated data sheets can be obtained from our website [www.El-O-Matic.com](http://www.El-O-Matic.com) or from your nearest Valve Automation Center **USA:** +1 813 319 0266 **Europe:** +31 74 256 10 10 **Asia-Pacific:** +65 6501 4600



**EMERSON™**  
Process Management